

OSY Table E Flanged Gate Valve - Rising Spindle

General Description

The MECH OSY Flanged Gate Valve is used in fire protection systems for on/off operation. UL listed and FM approved. 100mm Gate valve also available in 4-hole Table D.

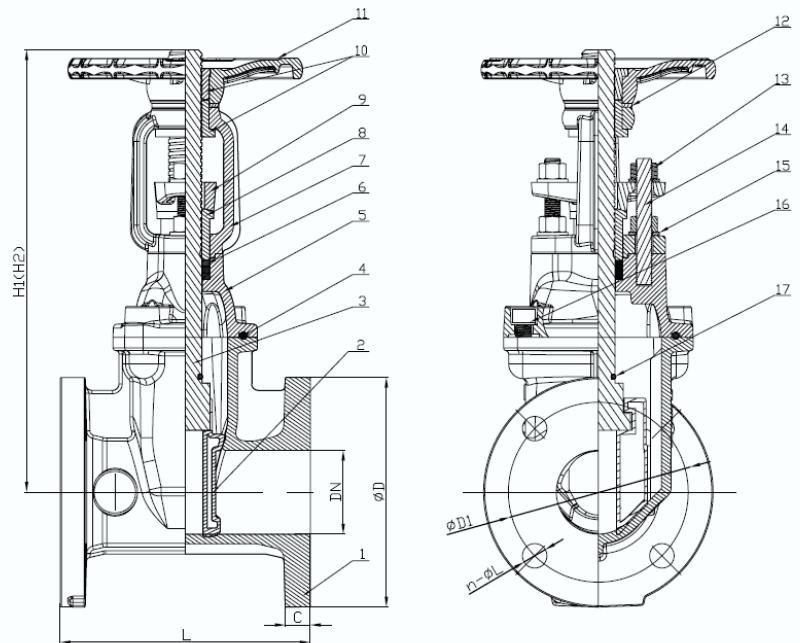
Technical Data

- Working Pressure: 300 PSI
- Temperature range: 0°C - 80°C
- Connections: Available in Table E
- Coating: Fusion Bonded Epoxy Coating



Part List

- ① Valve Body: Cast Iron
- ② Resilient Wedge Disk: Cast Iron
- ③ Stem: Stainless Steel
- ④ Bonnet Gasket: EPDM
- ⑤ Bonnet: Cast Iron
- ⑥ Stem Packing: EPDM
- ⑦ Yoke: Cast Iron
- ⑧ Stem Bushing: Brass Hpb59-1
- ⑨ Gland: Cast Iron
- ⑩ Stem Nut: Brass Hpb59-1
- ⑪ Handwheel: Cast Iron
- ⑫ Washer: Brass Hpb59-1
- ⑬ Gland Nut: Carbon Steel Zinc Plated
- ⑭ Stud: Carbon Steel Zinc Plated
- ⑮ Flat Washer: Carbon Steel Zinc Plated
- ⑯ Nut: Carbon Steel Zinc Plated
- ⑰ O-Ring: EPDM



Dimensions									
Code	Inch	mm	L	H1 (Close)	h2 (open)	D	D1	C	n-ØL
GV50RSE	2"	50	178	348	400	152	120.7	16	4-Ø19.1
GV65RSE	2.5"	65	190	373	440	178	139.7	17.5	4-Ø19.1
GV80RSE	3"	80	203	408	490	191	152.4	19.1	4-Ø19.1
GV100RSD	4"	100	229	471	573	229	190.5	19.1	4-Ø19.1
GV100RSE	4"	100	229	471	573	229	190.5	19.1	8-Ø19.1
GV150RSE	6"	150	267	601	755	279	241.3	19.1	8-Ø22.2
GV200RSE	8"	200	292	774	975	343	298.5	22.2	8-Ø22.2
GV250RSE	10"	250	330	939	1193	46	362	23.8	12-Ø25.4
GV300RSE	12"	300	356	1065	1370	483	431.8	25.4	12-Ø25.4