

Two Piece Nut Clip

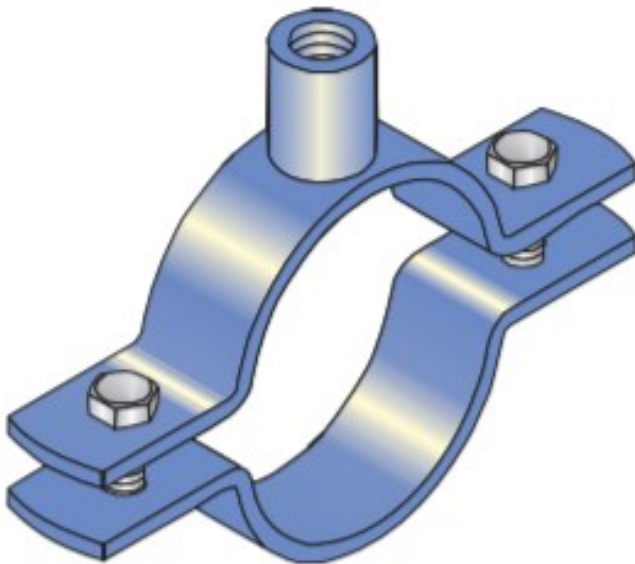


Two piece nut clip for Steel pipe to connect to threaded rod

Size range: 20nb to 125nb

Material: Carbon Steel

Finish: Zinc



Code	Pipe Size	Material	Nut
CNC15-10	15nb	20x3	M10
CNC20-10	20nb	20x3	M10
CNC25-10	25nb	20x3	M10
CNC32-10	32nb	20x3	M10
CNC40-10	40nb	20x3	M10
CNC50-10	50nb	20x3	M10
CNC65-10	65nb	20x3	M10
CNC65-12	65nb	20x3	M12
CNC80-10	80nb	20x3	M10
CNC80-12	80nb	20x3	M12
CNC100-10	100nb	20x3	M10
CNC100-12	100nb	20x3	M12
CNC150-12	150nb	20x3	M12