

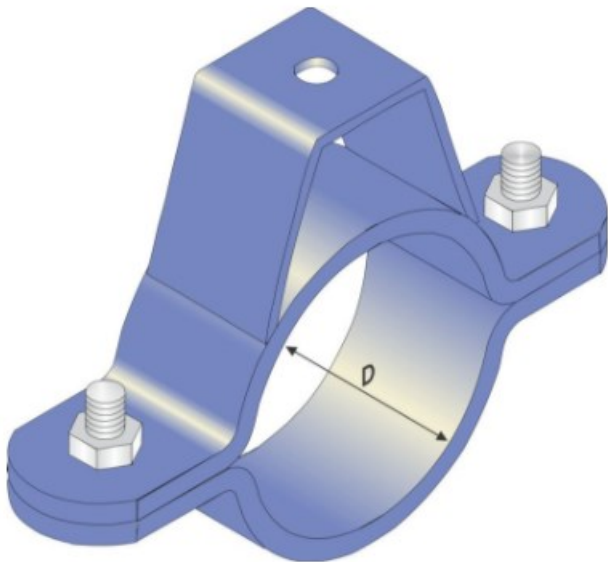
# Yoke and Clamp—Medium Duty



**Application:** Non drilling anchoring system for threaded rod hangers.

**Finish:** Galvanised

**Features:** Efficient Installation—Eliminates the need for any drilling.



Medium Duty Yoke Clamp					
Part No #	PIPE DIA	D	Hole DIA	Bolt	Material
UN18-48	40nb	48	14	M12x45	40x6
UN18-60	50nb	60	14	M12x45	40x6
UN18-76	65nb	76	14	M12x45	40x6
UN18-89	80nb	89	14	M12x45	40x6
UN18-114	100nb	114	14	M12x45	40x6
UN18-165	150nb	165	14	M12x45	40x6
UN18-219	200nb	200	14	M12x45	40x6
UN18-275	250nb	275	89	M12x45	40x6