

Duo Wafer check Valve

General Description

The MECH Duo Wafer Check Valve is suitable for preventing reverse flow and consists of a cast iron body with hinged stainless steel plates. UL listed and FM approved.

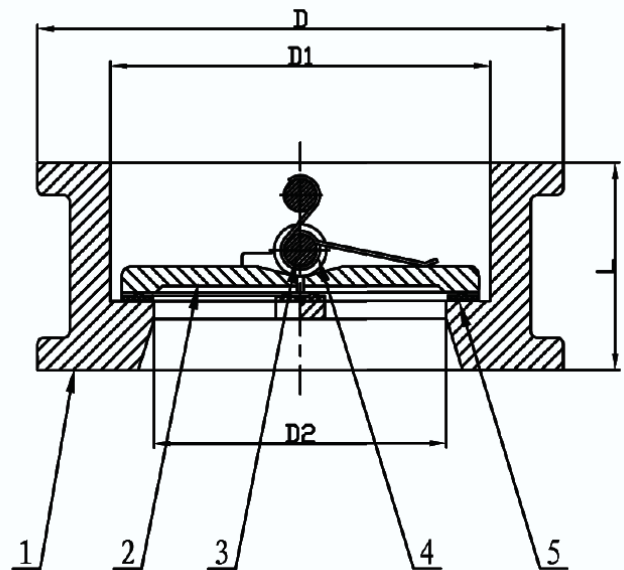


Technical Data

- Working Pressure: 300 PSI
- Temperature range: 0°C - 80°Cscv
- Coating: Fusion Bonded Epoxy Coating

Part List

- ① Valve Body: Cast Iron
- ② Disc: Stainless Steel
- ③ Stem: Stainless Steel AISI 420
- ④ Spring: Stainless Steel AISI 304
- ⑤ Rubber Seat: EPDM



Dimensions (mm)						
Code	Inch	mm	L	D	D1	D2
CV122B50	2"	50	54	102	64	46
CV122B65	2.5"	65	54	121	78	60
CV122B80	3"	80	57	134	94	70
CV122B100	4"	100	64	162	117	84
CV122B150	6"	150	76	218	170	134
CV122B200	8"	200	95	273	224	184
CV122B250	10"	250	108	328	265	220