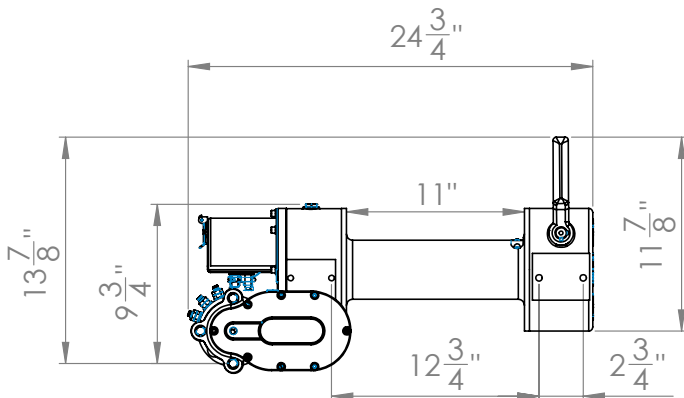
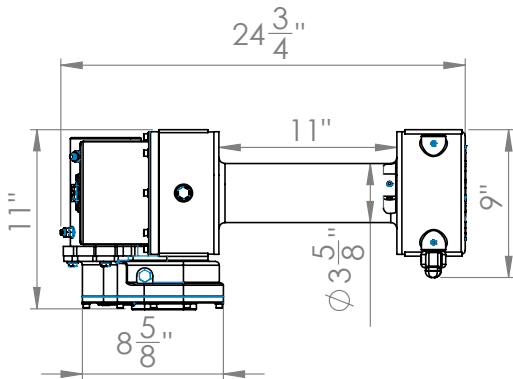
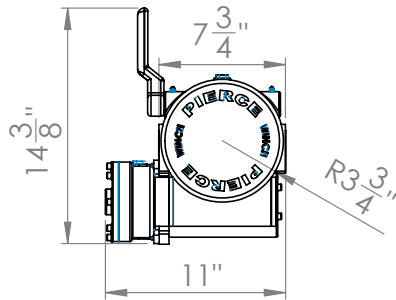


PSW654-11MK WINCH

PIERCE

PULLING FOR YOU



CATEGORY WINCH

PART NO. PSW654-11MK

PRODUCT DESCRIPTION

12,500 lb Worm Gear Electric DC Winch / 11" drum

SPECIFICATIONS

RATED LINE PULL	12,500 lb
LINE SPEED	9 fpm
VOLTAGE	12V
RATIO	728.5:1
AMPERE	60/400 amps
MINIMUM WIRE GAUGE	4 gauge
RECOMMENDED BATTERY	650 CCA
MOTOR	1.5 hp
WINCH CONSTRUCTION	Cast Metal
GEAR TRAIN	Worm Gear
CLUTCH	Dog
BRAKE	Worm Gear
ROTATION OF WINCH	CCW
DRUM SIZE	3.5" x 11"
WIRE ROPE RECOMMENDED	3/8" x 125'
WINCH WEIGHT	92 lb
GROSS WEIGHT	96 lb
WINCH DIMENSIONS (LxWxH)	19.25" x 8" x 13.5"
BOX DIMENSIONS (LxWxH)	14" x 14" x 27"

LINE SPEEDS

LAYERS OF WIRE ROPE	PULL	DRUM CAPACITY	SPEED (@ 16 GPM)
1	9,000 lb	20 ft	12.6 fpm
2	7,500 lb	40 ft	15.1 fpm
3	6,400 lb	60 ft	17.5 fpm
4	5,600 lb	80 ft	20.0 fpm