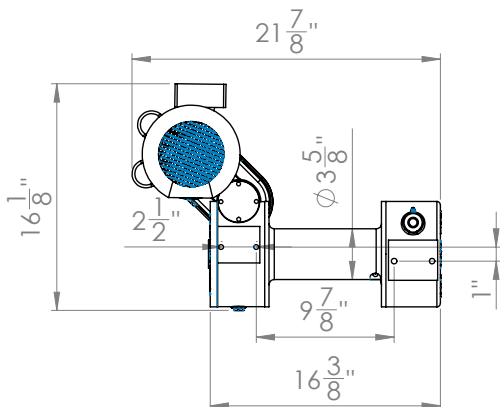
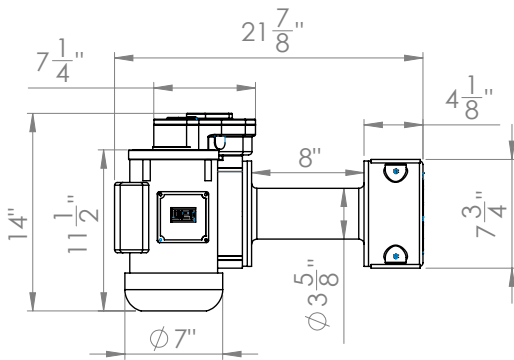
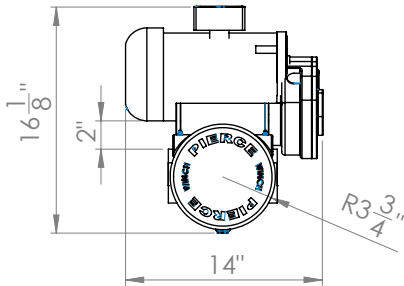


# PSW654-8EK WINCH

# PIERCE

PULLING FOR YOU



<b>CATEGORY</b>	WINCH
-----------------	-------

<b>PART NO.</b>	PSW654-8EK
-----------------	------------

### PRODUCT DESCRIPTION

7,500 lb Worm Gear Electric AC Winch / 8" drum

### SPECIFICATIONS

<b>RATED LINE PULL</b>	7,500 lb
<b>LINE SPEED</b>	4 fpm
<b>VOLTAGE</b>	110V / 220V
<b>RATIO</b>	460:1
<b>AMPERE</b>	17.4 amps @ 115V
<b>MINIMUM WIRE GAUGE</b>	16 gauge
<b>MOTOR</b>	1.5 hp
<b>WINCH CONSTRUCTION</b>	Cast Metal
<b>GEAR TRAIN</b>	Worm Gear
<b>CLUTCH</b>	Dog
<b>BRAKE</b>	Worm Gear
<b>ROTATION OF WINCH</b>	CCW
<b>DRUM SIZE</b>	3.5" x 8"
<b>MOUNTING PATTERN</b>	Pre-mounted
<b>WIRE ROPE RECOMMENDED</b>	3/8" x 100'
<b>WINCH WEIGHT</b>	123 lb
<b>GROSS WEIGHT</b>	163 lb
<b>WINCH DIMENSIONS (LxWxH)</b>	26" x 15" x 17.5" (pre-mounted)
<b>BOX DIMENSIONS (LxWxH)</b>	Palletted