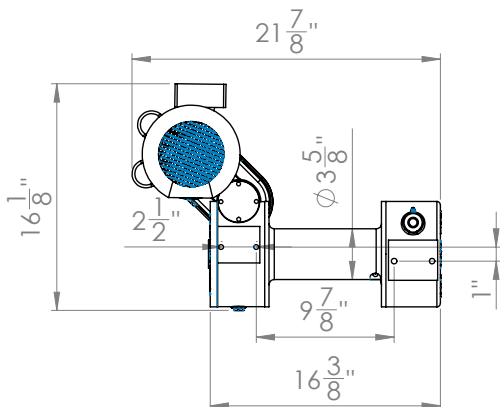
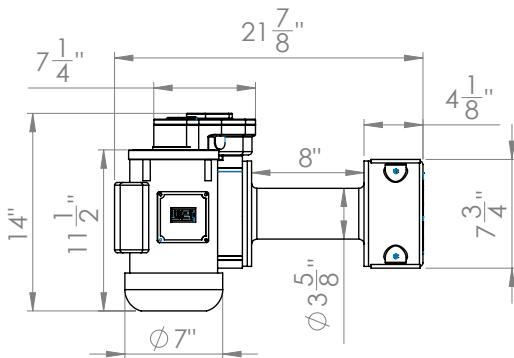
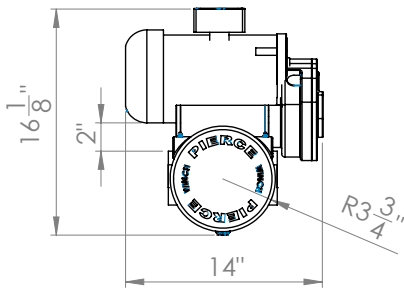


PSW654-8EMK WINCH

PIERCE

PULLING FOR YOU



CATEGORY WINCH

PART NO. PSW654-8EMK

PRODUCT DESCRIPTION

11,000 lb Worm Gear Electric AC Winch / 8" drum

SPECIFICATIONS

RATED LINE PULL	11,000 lb
LINE SPEED	4 fpm
VOLTAGE	110V / 220V
RATIO	460:1
AMPERE	17.4 amps @ 115V
MINIMUM WIRE GAUGE	16 gauge
MOTOR	1.5 hp
WINCH CONSTRUCTION	Cast Metal
GEAR TRAIN	Worm Gear
CLUTCH	Dog
BRAKE	Worm Gear
ROTATION OF WINCH	CCW
DRUM SIZE	3.5" x 8"
MOUNTING PATTERN	Pre-mounted
WIRE ROPE RECOMMENDED	3/8" x 100'
WINCH WEIGHT	123 lb
GROSS WEIGHT	163 lb
WINCH DIMENSIONS (LxWxH)	26" x 15" x 17.5" (pre-mounted)
BOX DIMENSIONS (LxWxH)	Palletted