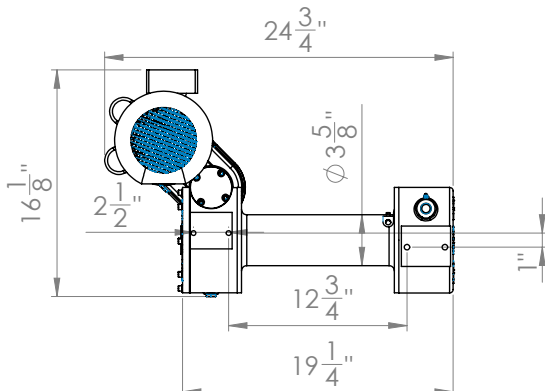
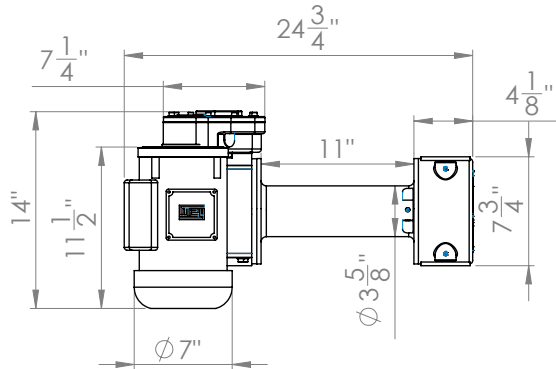
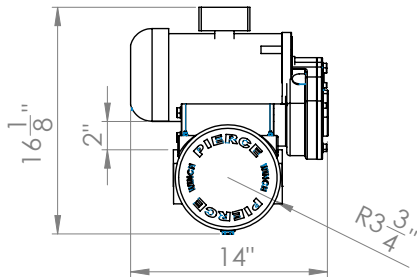


PSW654-11EMK WINCH

PIERCE

PULLING FOR YOU



CATEGORY	WINCH
-----------------	-------

PART NO.	PSW654-11EMK
-----------------	--------------

PRODUCT DESCRIPTION

11,000 lb Worm Gear Electric AC Winch / 11" drum

SPECIFICATIONS

RATED LINE PULL	11,000 lb
LINE SPEED	4 fpm
VOLTAGE	110V / 220V
RATIO	460:1
AMPERE	17.4 amps @ 115V
MINIMUM WIRE GAUGE	16 gauge
MOTOR	1.5 hp
WINCH CONSTRUCTION	Cast Metal
GEAR TRAIN	Worm Gear
CLUTCH	Dog
BRAKE	Worm Gear
ROTATION OF WINCH	CCW
DRUM SIZE	3.5" x 11"
MOUNTING PATTERN	Pre-mounted
WIRE ROPE RECOMMENDED	3/8" x 125'
WINCH WEIGHT	125 lb
GROSS WEIGHT	165 lb
WINCH DIMENSIONS (LxWxH)	26" x 15" x 17.5" (pre-mounted)
BOX DIMENSIONS (LxWxH)	Palletted