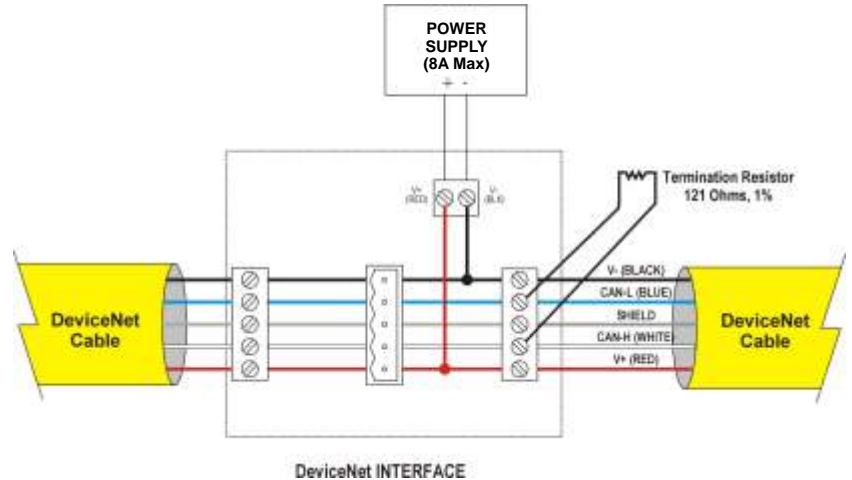
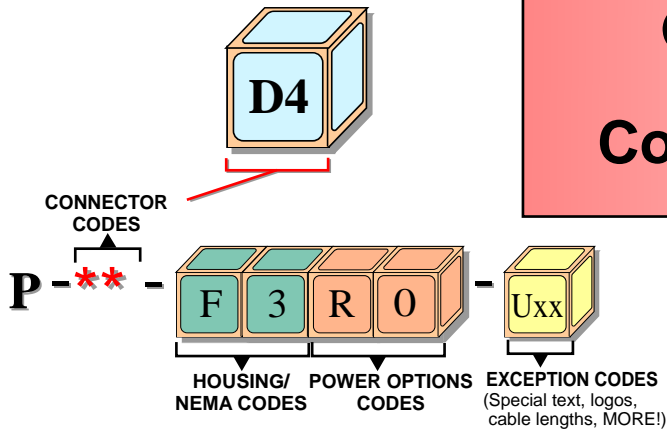


GracePort® DeviceNet Connector Code Data Sheet



⚠️ INSTALLATION

GracePorts® are intended to be installed by a qualified technician and adhere to applicable regulatory codes. This device is for mounting on the flat surface of enclosures having the same type environmental ratings.

Instructions: Mount the interface on the panel as per Installation Instructions. Terminate the DeviceNet Network Cable to the appropriate marked terminal blocks as per your manufacturer's standard DeviceNet Cabling Instructions. If the interface is the last station, install a 121 Ohm 1% termination resistor as shown on Figure 1.

The GracePort® Interface has terminals to connect an 8 Amp "DeviceNet" power supply as shown in Figure 1.

SPECIFICATIONS: ELECTRICAL

Low voltage (data), limited to 30 VDC
High voltage supply (for computer use only)
120 VAC, 15A (UL), 5A (CSA)
230-240 VAC, 16A (CE only)

SPECIFICATIONS: MECHANICAL

Housing: Cast aluminum base
Latch: Type 304 Stainless Steel (1CR18NI19)
Cover: Polycarbonate, UV rated, V-O Flame rated
Gasket: Thermoplastic elastomer
Insert Material: Acrylic UL94HB

APPROVALS



UL RECOGNIZED: E207344 (Outdoor Use)
CSA: LR110845 (not for interrupting circuit)
CE: EN61010/EN60950 (Foreign Power Outlets)



5001 Tremont Avenue
Davenport, IA 52807
(800) 280-9517 Fax: (563) 386-9639
©2007 Grace Engineered Products, Inc. DataSheets:D4:12/2007
GracePort® is a registered Trademark of Grace Engineered Products, Inc.