

Grace Engineered Products' Inside-Outlet® is unique because it has three GFCI-protected receptacles - two outside and one inside the panel. The GFCI is different from conventional receptacles. In the event of a ground fault, the GFCI will trip and quickly stop the flow of electricity to prevent serious injury. Grace's new Inside-Outlet GFCI automatically performs a self-test of the electronics every minute. The manual test should be performed every month to ensure proper mechanical operation. The non-GFCI outlets inside a panel can be wired through the Inside-Outlet®, which is then externally mounted on the panel door - making testing easy!

INSTALLATION & WIRING INSTRUCTIONS

Inside-Outlet® GFCI Receptacles are intended to be used with a GracePort® housing and are typically mounted on the door of a low voltage electrical cabinet. Installation should be performed by a qualified electrician and adhere to applicable regulatory codes. These devices are for mounting on a flat surface of enclosures having the same type environmental ratings.

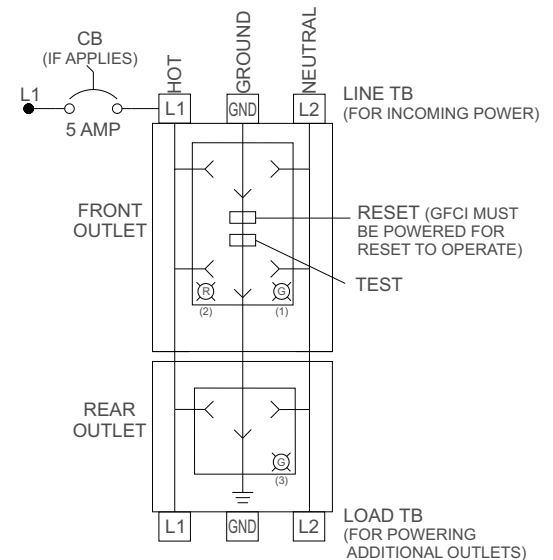
- 1) Cut panel opening and mount GracePort® assembly to enclosure with gasket as per Housing Installation Guide.
- 2) Connect input power to LINE terminal (TB1) as per local codes.
- 3) Additional receptacles may be wired as per local codes to the LOAD terminals (TB2).
Torque screw to 3.6in-lbs.

TEST YOUR WORK

Why perform this test? If you mis-wired the GFCI it may not prevent personal injury or death due to a ground fault (electrical shock) or cause the GFCI to catch fire.

Procedure:

- 1) **Turn the power ON at the service panel.** Press the RESET button fully. The GFCI cannot be reset until it is wired correctly and power is supplied to the device. Plug a lamp or radio into the GFCI (and leave it plugged-in) to verify that the power is ON. If there is no power, check the wiring and verify your incoming power source to the device.
- 2) **Press the TEST button in order to trip the device.** This should stop the flow of electricity, making the receptacle tester shut OFF. Note that the RESET button will pop-out. If the power stays ON, check the wiring connections or call factory for support. If the power goes OFF, you have installed the GFCI receptacle correctly. To restore power, press the RESET button. If the red light emitting diode (LED) begins to flash, or if the GFCI cannot be reset, the receptacle has lost its GFCI protection and should be replaced immediately.
- 3) **Manual Test:** Press the TEST button (then the RESET button) every month to assure proper operation. **Automatic Self Test:** The GFCI automatically performs a self-test of the electronics every minute. In the event of a failure during either the Manual Test or the Automatic Self-Test, the red LED will flash indicating that the receptacle has lost its GFCI protection and therefore should be replaced immediately.



TEMPERATURE RATING

OPERATING: -10°C TO 60°C
STORAGE: -30°C TO 70°C

HUMIDITY

5-95% NON-CONDENSING

LED Indication Matrix	No incoming power or GFCI needs to be reset	Normal function when powered	Potential normal function when powered	GFCI needs to be replaced
Front Green	Off	Steady On	Steady On	N/A
Front Red	Off	Off	Steady On	Flashing
Rear Green	Off	Steady On	Steady On	N/A

Electrical Characteristics	Current Rating (A)	Operating Voltage (Max)	Short Circuit Current Rating (SCCR)
GFCI (front) Outlet	20	125 VAC	2 KA
Simplex (rear) Outlet	15	125 VAC	2 KA
Circuit Breaker*	1-15 Amps	250 VAC or 32 VDC	1 KA

*Supplied by Grace when specified by customer.

Warning: Verify an electrical conductor has been de-energized using an adequately rated test instrument before working on it. Follow appropriate Energy Control (Lockout/Tagout) procedures as per OSHA Subpart S. GracePort® is a registered Trademark of Grace Engineered Products, Inc.
© Grace Engineered Products, Inc. All rights reserved. Specifications are subject to change with/without notice.

CAUTION

- To prevent severe shock or electrocution, always turn the power OFF at the service panel before working with wiring.
- Do not install this GFCI receptacle on a circuit that powers life support equipment because if the GFCI trips it will shut down equipment.
- Must be installed in accordance with national and local electrical codes.

GP-GFCI-IG-EN 1810