

PANEL MOUNT HOUSING

4X, 4, 12 & 3R INSTALLATION GUIDE



INSTALLATION

GracePorts® are intended to be mounted in or on an enclosure product. Installation should be performed by a qualified technician and adhere to applicable regulatory codes. These devices are for mounting on the flat surface of enclosures having the same type environmental ratings.

All installations:

- 1) Cut panel opening and mount GracePort® assembly to enclosure with supplied gasket.
- 2) Connect low voltage interface wiring according to documentation provided with unit.

On units configured for optional AC power:

- 1) Connect outlet device as per code. *Note: It is the responsibility of the installer to ensure adequate separation of high and low voltage circuits in the end-use product.*
- 2) Ensure that the metal housing is reliably grounded using grounding means provided.

MECHANICAL SPECIFICATIONS

Housing: Cast aluminum base
 Latch: Type 304 Stainless Steel
 Cover: Polycarbonate, UV rated, V-O Flame rated
 Insert Material: Acrylic UL94HB

ELECTRICAL SPECIFICATIONS

600 VAC, 30A (UL), 5A (CSA)
 Optional Circuit Breaker protection

APPROVALS*

UL RECOGNIZED:

E207344 (TYPE 3R, 4, 4X, 12)*

IEC: IP-65

CSA: LR110845 (not for interrupting circuit)*

CE: EN61010-1:2010/EN50581:2012*

* Final product certification will vary based on component selection.



HOUSING SIZE AND ENVIRONMENTAL RATING

Sample Part No.:

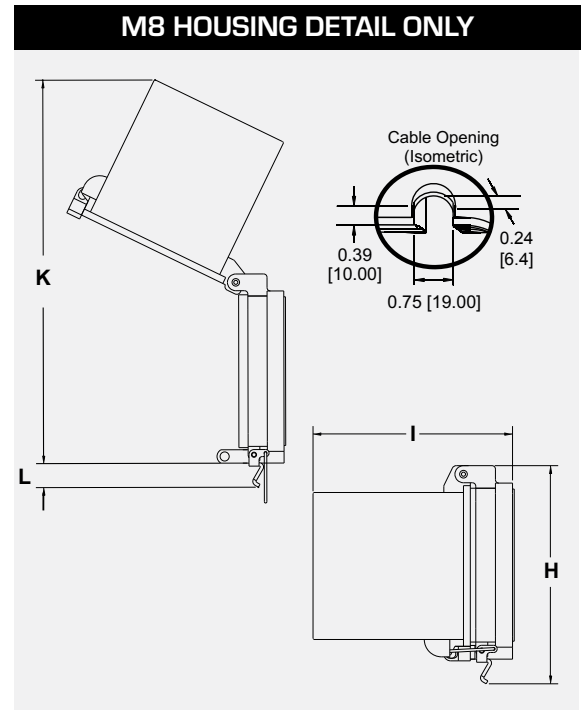
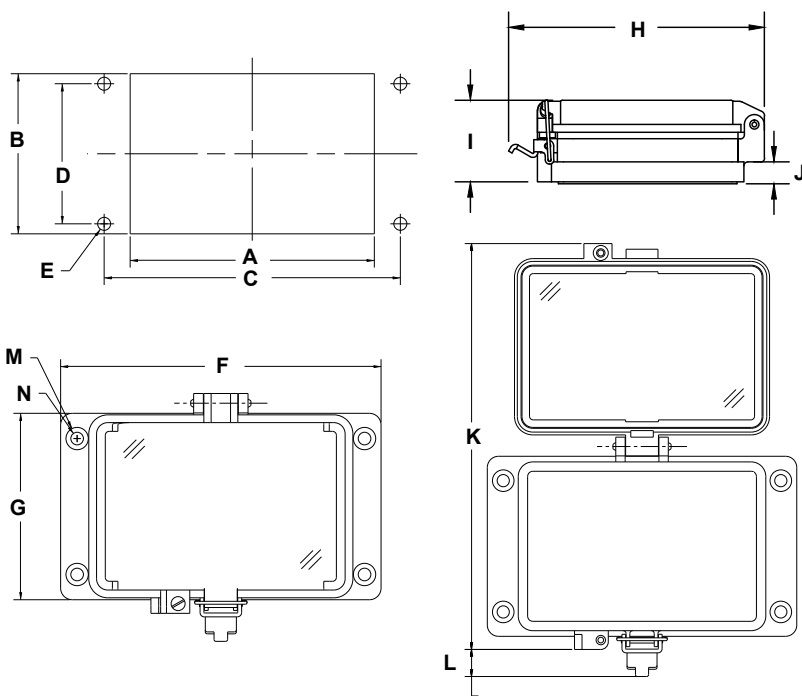
P - B 1 P 1 - M 2 R X - V

First letter refers to housing size only (B, F, H, K, or M)

Numeral refers to the environmental ratings below.

- 2 = UL TYPE 4X (IP-65)
- 3 = UL TYPE 4 (IP-65)
- 4 = UL TYPE 12
- 8 = UL TYPE 3R

Warning: Verify an electrical conductor has been de-energized using an adequately rated test instrument before working on it. Follow appropriate Energy Control (Lockout/Tagout) procedures as per OSHA Subpart S. GracePort® is a registered Trademark of Grace Engineered Products, Inc.
 © Grace Engineered Products, Inc. All rights reserved. Specifications are subject to change with/without notice.



MOUNTING DIMENSIONS INCHES (MM)

HOUSING CODE	WEIGHT (OZ)	A	B	C	D	EØ
B2, B3, B4	3.8	2.06 ± .010 (52.4 ± .2)	1.42 ± .010 (36.0 ± .2)	2.76 ± .004 (70.0 ± .1)	1.26 ± .004 (32.0 ± .1)	.18 + .010 (4.6 + .2)
F2, F3, F4	5.1	3.36 ± .010 (85.4 ± .2)	1.42 ± .010 (36.0 ± .2)	4.03 ± .004 (102.4 ± .1)	1.26 ± .004 (32.0 ± .1)	.18 + .010 (4.6 + .2)
H2, H3, H4	5.9	4.42 ± .010 (112.4 ± .2)	1.42 ± .010 (36.0 ± .2)	5.12 ± .004 (130.0 ± .1)	1.26 ± .004 (32.0 ± .1)	.18 + .010 (4.6 + .2)
K2, K3, K4	10.8	3.39 ± .010 (86.0 ± .2)	2.91 ± .010 (74.0 ± .2)	4.41 ± .004 (112.0 ± .1)	2.76 ± .004 (70.0 ± .1)	.26 + .010 (6.5 + .2)
M2, M3, M4	13.2	4.80 ± .010 (122.0 ± .2)	3.15 ± .010 (80.0 ± .2)	5.83 ± .004 (148.0 ± .1)	2.76 ± .004 (70.0 ± .1)	.26 + .010 (6.5 + .2)
M8	17.6	4.80 ± .010 (122.0 ± .2)	3.15 ± .010 (80.0 ± .2)	5.83 ± .004 (148.0 ± .1)	2.76 ± .004 (70.0 ± .1)	.26 + .010 (6.5 + .2)

OVERALL DIMENSIONS INCHES (MM)

HOUSING CODE	F	G	H	I	J	K	L	MØ	NØ
B2, B3, B4	3.15 (80.0)	1.72 (43.6)	3.20 (81.2)	1.60 (40.7)	.20 (5.0)	4.33 (110.1)	.96 (24.4)	N/A	.18 ± .004 (4.6 ± .1)
F2, F3, F4	4.45 (113.0)	1.72 (43.6)	3.20 (81.2)	1.60 (40.7)	.20 (5.0)	4.87 (123.7)	.57 (14.4)	N/A	.18 ± .004 (4.6 ± .1)
H2, H3, H4	5.51 (140.0)	1.72 (43.6)	3.20 (81.2)	1.60 (40.7)	.20 (5.0)	4.87 (123.7)	.57 (14.4)	N/A	.18 ± .004 (4.6 ± .1)
K2, K3, K4	5.08 (129.0)	3.54 (90.0)	4.79 (121.6)	1.60 (40.7)	0.43 (11.0)	8.28 (210.2)	.45 (11.4)	.45 ± .22 (11.5 ± 5.5)	.26 ± .004 (6.5 ± .1)
M2, M3, M4	6.50 (165.0)	3.78 (96.0)	5.02 (127.6)	1.60 (40.7)	0.43 (11.0)	8.52 (216.4)	.57 (14.4)	.45 ± .20 (11.5 ± 5.2)	.26 ± .004 (6.5 ± .1)
M8	6.50 (165.0)	3.78 (96.0)	5.02 (127.6)	4.59 (116.7)	0.43 (11.0)	9.03 (229.4)	0.57 (14.4)	.45 ± .20 (11.5 ± 5.2)	.26 ± .004 (6.5 ± .1)

QUESTIONS

For questions or technical support, please contact us at 1-800-280-9517.