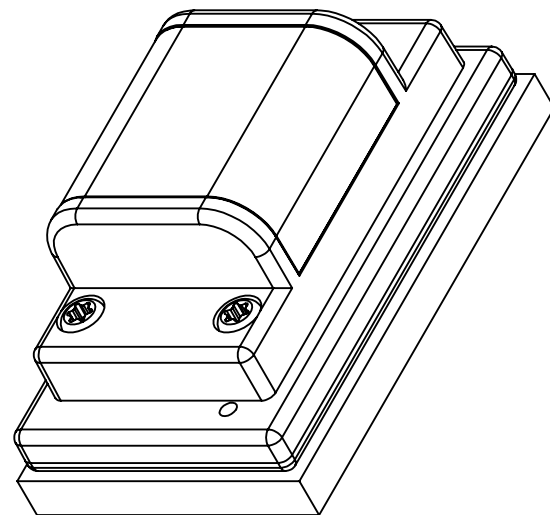
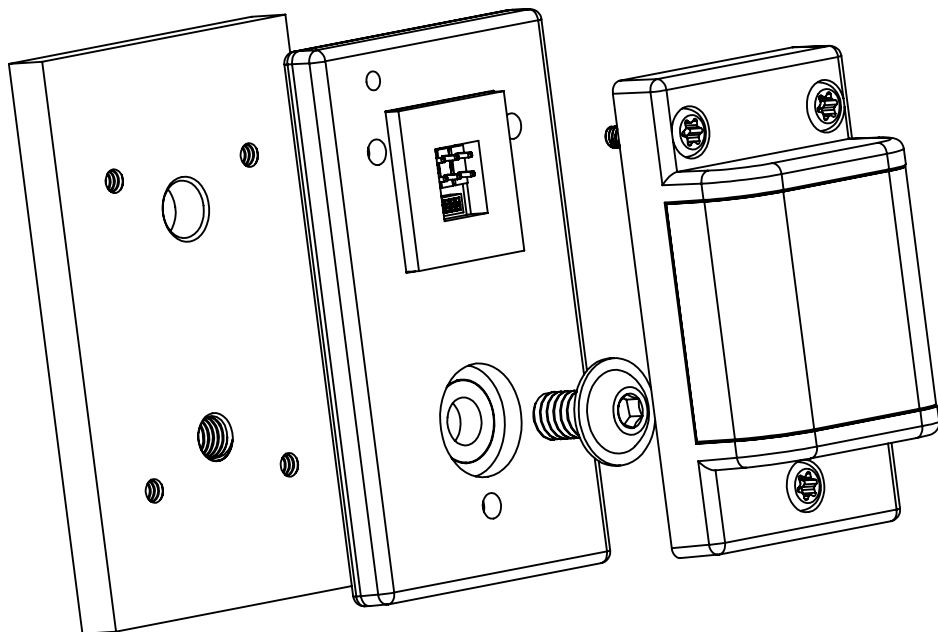


2

1

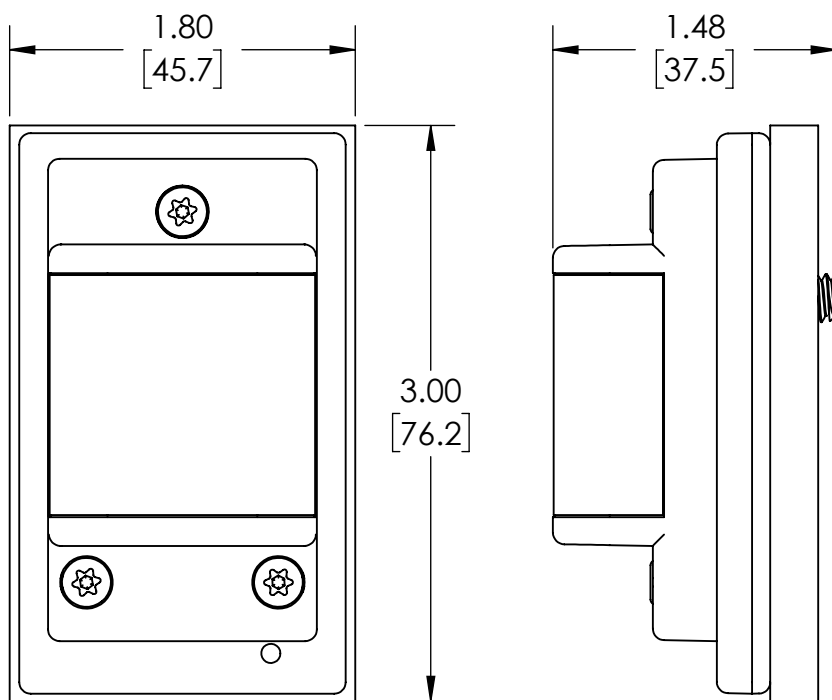
B

B



A

A



TITLE:

SIZE	DWG. NO.	REV
------	----------	-----

A For Marketing

SCALE: 1:1	WEIGHT: 0.00	SHEET 1 OF 1
------------	--------------	--------------

2

1