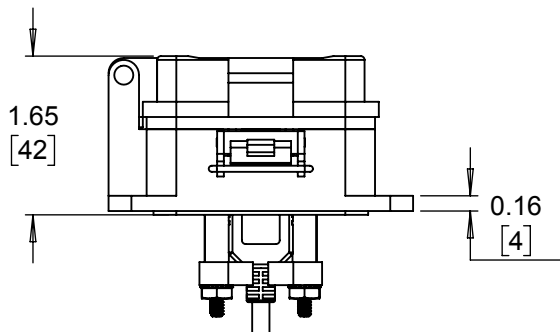
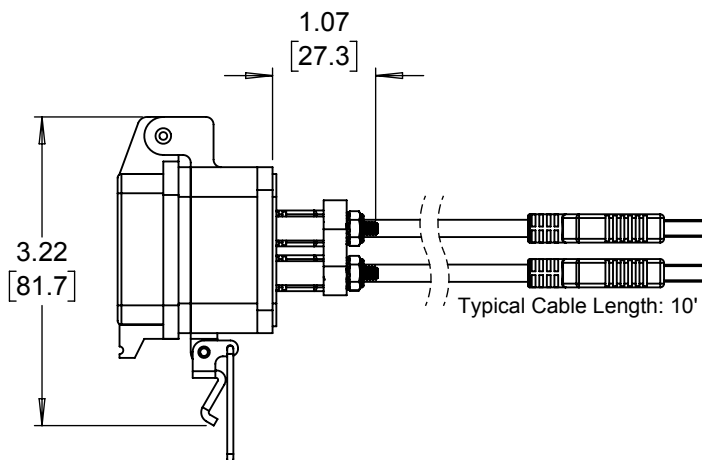
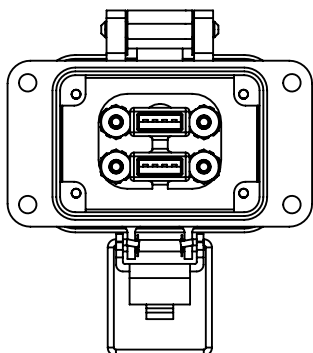
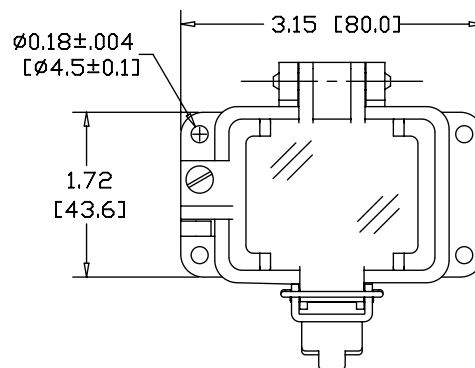
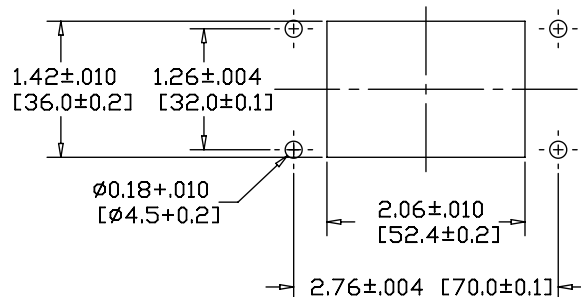
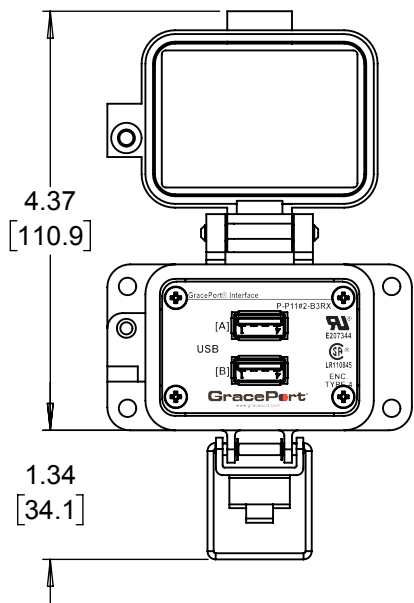


PANEL CUTOUT



NOTE:

- 1) REFER TO INSTALLATION INSTRUCTIONS TO ENSURE PROPER INSTALLATION.
 - 2) ALWAYS FOLLOW YOUR LOCAL/FACILITY ELECTRICAL CODES AND PROCEDURES.
 - 3) FOR DETAILED COMPONENT WIRING AND SPECIFICATIONS, REFER TO THE APPLICABLE DATA SHEETS.
 - 4) COMPONENT LOCATIONS OUTLINED IN DRAWING ARE APPROXIMATE
 - 5) FINISHED ASSEMBLIES MAY CARRY UL RECOGNIZED, CSA AND CE MARKINGS.
- REFER TO PRODUCT FACEPLATE PDF OR STEP FILE FOR ACTUAL PRODUCT CONFORMITY AND LISTINGS OR CONSULT FACTORY.