

8.000

4.012



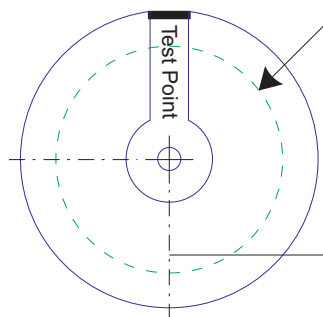
**SAFE-TEST
POINT™**



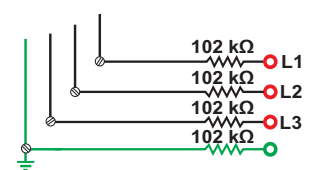
WARNING

QUALIFIED PERSONNEL FOLLOW
YOUR FACILITY SAFETY
PROCEDURES WHEN USING
THIS DEVICE

R-3MT
hole cutout 30mm



0.950



NOTE:
TEST POINT ASSEMBLY
WITH 102 kΩ IMPEDANCE ON
L1, L2, L3 & GND AFFECTS VOLTAGE
READINGS - 2%



www.pesd.com
1-800-280-9517

Part #: R-3MT-LF

1.900