



Product: Bezel

Mounting kit includes:

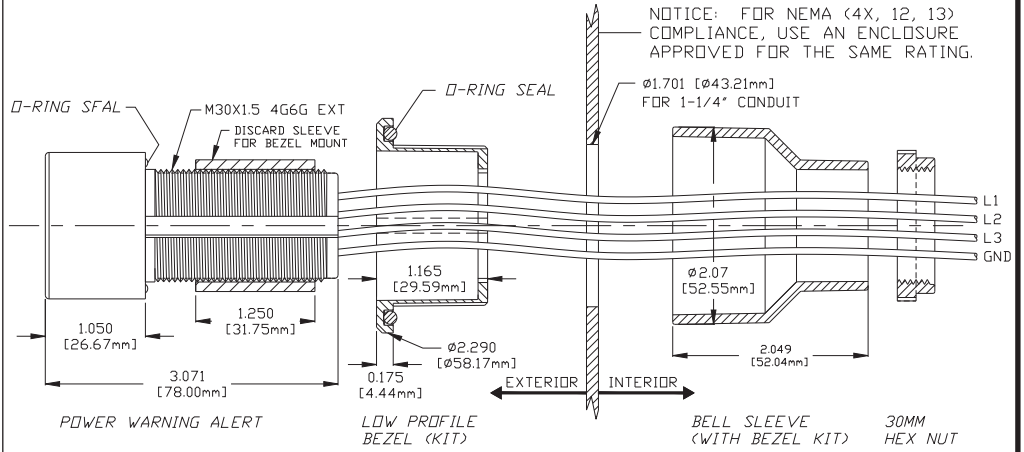
Low Profile Bezel

Bell Sleeve

Neoprene O-Ring



800-280-9517
www.graceport.com



Installation Notes:

1. The mounting surface must be clean and smooth. Tighten the Hex nut until the outside ledge of the Bezel seats against the mounting surface so the O-ring is fully compressed. Do not overtighten.



Product: Bezel

Mounting kit includes:

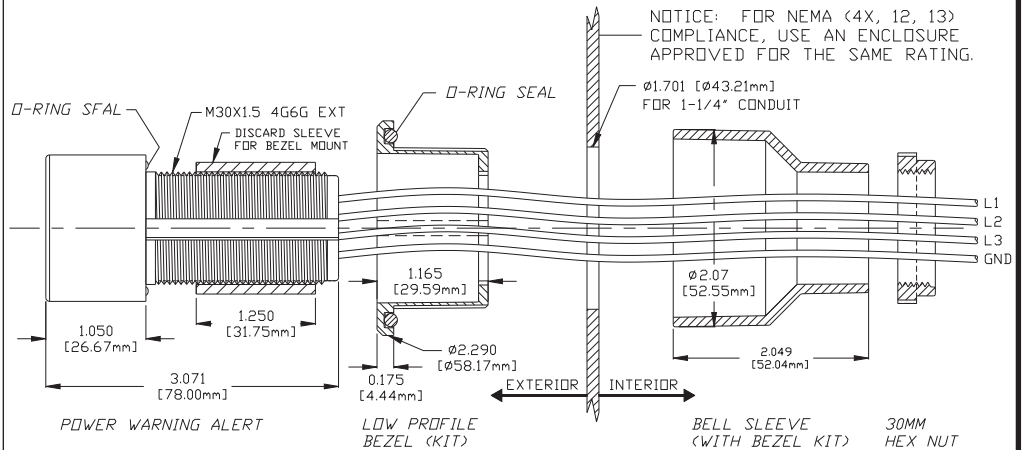
Low Profile Bezel

Bell Sleeve

Neoprene O-Ring



800-280-9517
www.graceport.com



Installation Notes:

1. The mounting surface must be clean and smooth. Tighten the Hex nut until the outside ledge of the Bezel seats against the mounting surface so the O-ring is fully compressed. Do not overtighten.