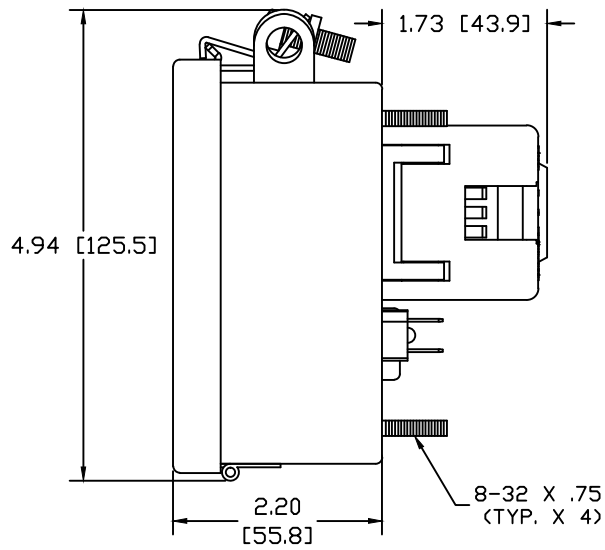
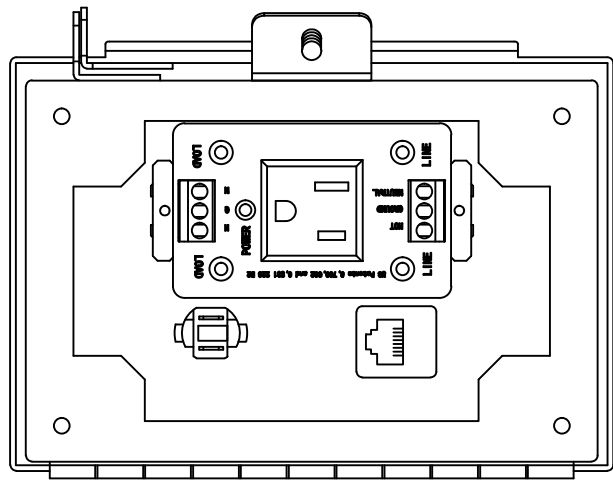
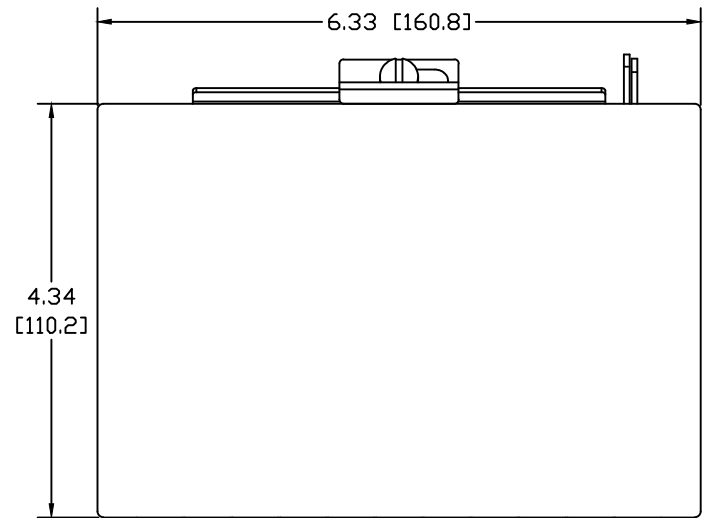
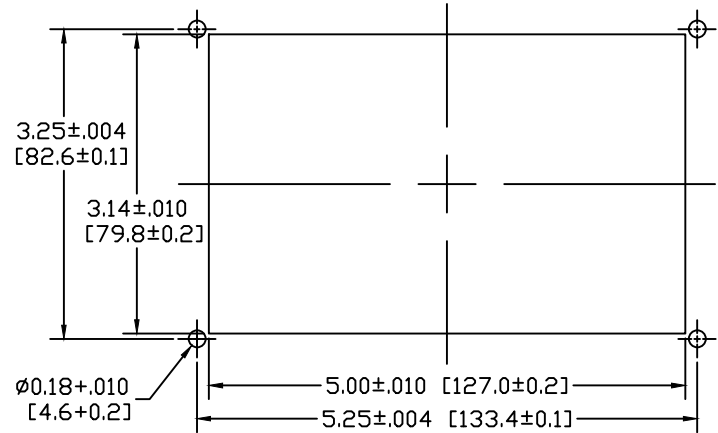


PANEL CUTOUT



- NOTE:
- 1.) HOUSING INSERTS COMPONENT LOCATIONS ARE APPROXIMATE.
  - 2.) HOUSINGS ARE UL RECOGNIZED TYPE 4X OTHER ENVIRONMENTAL RATINGS MAY APPLY.
  - 3.) FINAL ASSEMBLIES: UL RECOGNIZED, CSA, AND CE MAY APPLY CONSULT FACTORY.
  - 4.) HOUSING: 16 GA. 304 STAINLESS STEEL HOUSING

GracePort(R) is a Registered Trademark of Grace Engineered Products, Inc.  
Property of Grace Engineered Products, Inc.