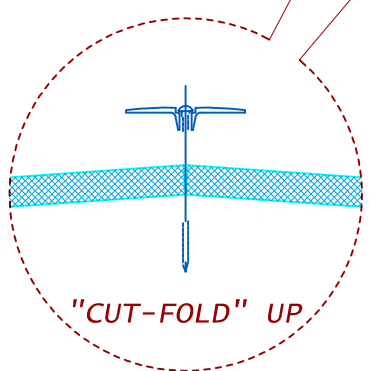
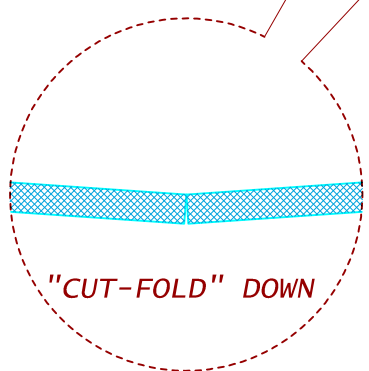


NOTE; STAGGER "CUT-FOLD" ALIGNMENT SO IDENTICAL CUTS DO NOT LINE UP



GENERAL REFERENCE:  
 "FTR GS 02/13"  
 APPLICABLE SYSTEMS:  
 "FTR MA 02/13"

PRELIMINARY ATTACHMENT  
 3/8" EXTRUDED POLYSTYRENE  
 "CUT FOLD" RECOVERY BOARD

REVISES DETAIL	ISSUE DATE	DRAWING NUMBER
ALL PREVIOUS	02-10-14	FTR-DI5