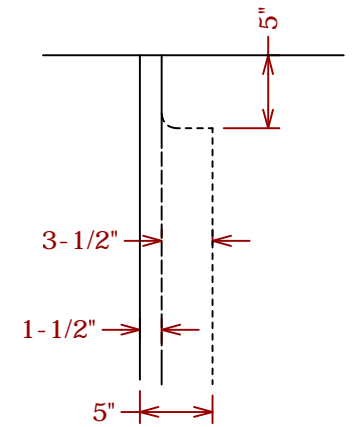
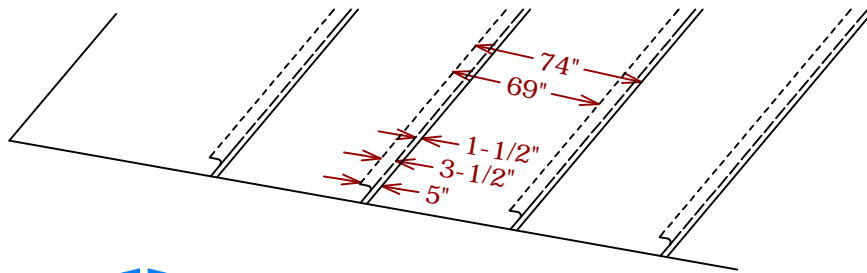


PANEL CONSTRUCTION



TAB CONSTRUCTION



GENERAL REFERENCE:
"FTR GS 02/13"

APPLICABLE SYSTEMS:
"FTR MA 02/13"

STANDARD PANEL WITH TABS / 74" STOCK

REVISES DETAIL	ISSUE DATE	DRAWING NUMBER
ALL PREVIOUS	02-10-14	F74-SP1