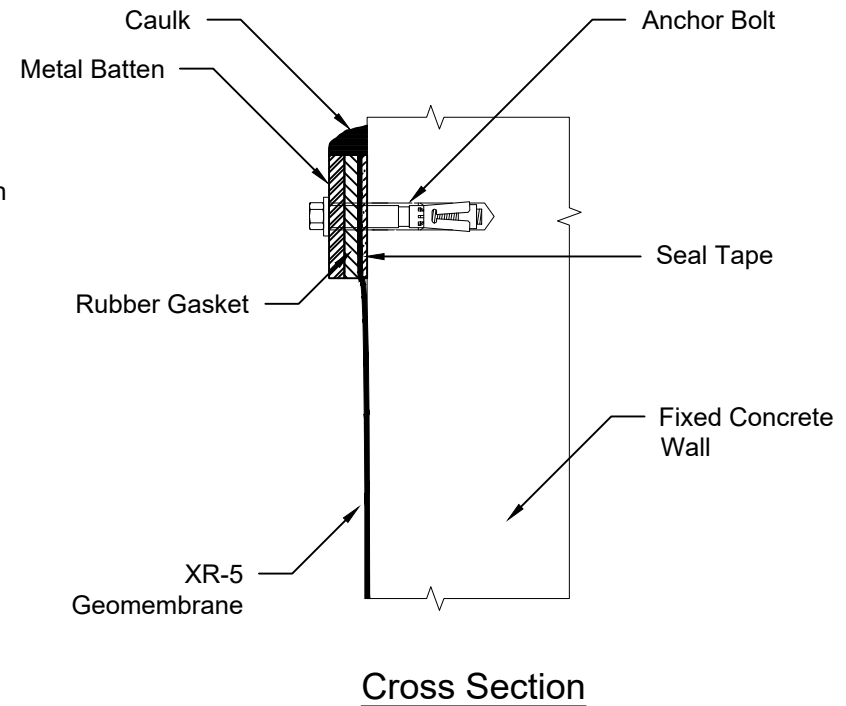
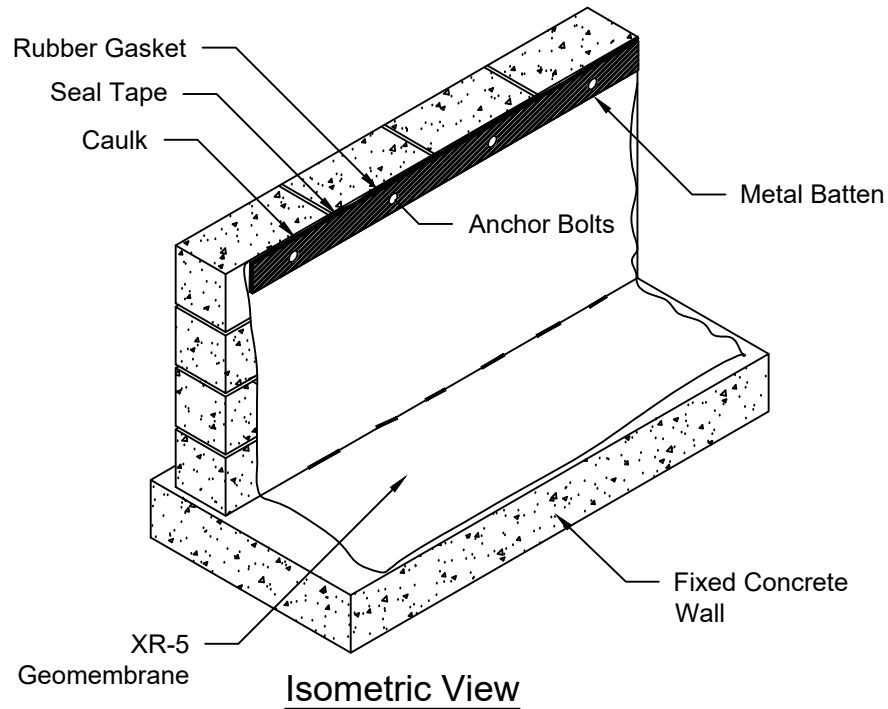


Notes:

1. Caulk should be continuous and compatible with liner type. Sika 1A is commonly used.
2. Metal batten to be $\frac{1}{4}$ " x 2" and either aluminum or S.S. or approved equal
3. Stainless steel anchor bolts typically $\frac{3}{8}$ " x 3" at discretion of engineer.
Stainless steel washers and bolts.
Bolts located 6" O.C. when installed below water line. 12"
O.C. when installed above water line.
Bolts should be located a minimum of 4" from concrete
perimeter.
4. Rubber Gasket typically $\frac{1}{4}$ " x 2" Neoprene or EPDM rubber continuous
5. Seal tape to be $\frac{1}{8}$ " x 2" butyl gum and applied over bolt pattern.



SEAMAN CORP
 1000 VENTURE BLVD
 WOOSTER, OH 44691
 330.262.1111
www.seamancorp.com
www.xrgeomembranes.com

XR-5[®] Mechanical Attachment Detail

Page No.:
1 of 1

Drawing:
XRD-023

Rev. Date	Revision
3/19/2020	fw