

Owner's Manual

1985 • Gasoline
Utility Vehicle

COLUMBIA
Columbia ParCar Corp.

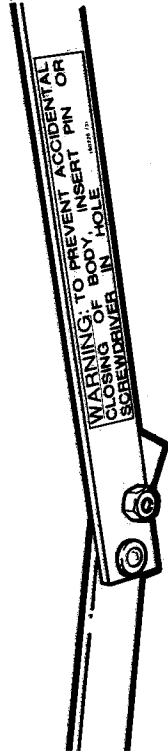
One Golf Car Road • P.O. Box 1
Deerfield, WI 53531 • (608) 764-5474

 **COLUMBIA**TM

Part No. 99469-85

WARNING

To secure the body upright and avoid possible personal injury, install a 3/8 x 1 bolt and nut into body hinge hole to prevent accidental closing of body.



WARNING: TO PREVENT ACCIDENTAL CLOSING OF BODY, INSERT PIN OR SOLE DRIVER IN HOLE.

PATENT NOTICE

Columbia ParCar products are manufactured under one or more of the following: U.S. Patents — 2986162, 2987934, 2998809, 3116089, 3144631, 3144860, 3226994, 3229792, 3434887, 3559773, 3673359, 3680403, 3683716, 3709317, Des. 225 626.

To the best knowledge of Columbia ParCar Corp., the material contained herein is accurate as of the date this publication was approved for printing. Columbia ParCar Corp. reserves the right to change specifications, equipment, or designs at any time without notice and without incurring obligation.

Columbia ParCar Corp.

PRINTED IN U.S.A.

INTRODUCTION

This manual contains important safety information, operating instructions, model specifications and maintenance instructions for the Utility Vehicle.

The service information in this manual is limited to care and maintenance information only. Information covering repairs is provided in a detailed service manual available from Columbia ParCar dealers. Such major repairs require the attention of a skilled mechanic and the use of special tools and equipment. Your Columbia ParCar dealer has the facilities, experience and genuine Columbia ParCar parts and accessories to properly service Columbia ParCars.

For convenience, the SAFE OPERATING RULES and CONTROLS AND OPERATIONS are printed side by side in the manual and are of particular importance for operator safety. These pages should be copied or reprinted and given to anyone operating the car.

MODEL IDENTIFICATION

The vehicle identification number is located on a metal tag above the right rear tire on the rear frame cross brace. The engine serial number is located on the top of the engine crankcase.

IMPORTANT! Always give these numbers when ordering parts or making inquiries about your Columbia ParCar.

Statements in this manual preceded by the following words are of special significance:

WARNING

Means there is the possibility of personal injury to yourself or others.

CAUTION

Means there is the possibility of damage to the vehicle.

We recommend you take special notice of these items.

WARNING

The modification of Columbia Utility Vehicles is not recommended. Exceeding load capacities or recommended speed may result in possible injury or property damage.

WARNING

This vehicle has a designed maximum speed of 12 mph and is not designed or intended to be used on public roadways or highways.

SAFE OPERATING RULES

Before operating the Columbia Utility Vehicle, it is the operator's responsibility to read and follow the safety, operating and maintenance instructions in this manual for personal safety. If you are responsible for the use of the vehicle, it is your responsibility to inform the person or persons using the vehicle about the following basic rules of operation for their personal safety.

- Utility Vehicles are designed to transport no more than two people unless adequate provisions have been made for additional passengers.
- Never exceed load capacity (500 lbs.) or vehicle stability will be endangered.
- Always properly distribute and secure loads.
- Always drive vehicle straight up and down inclines to avoid overturning vehicle or losing vehicle stability and control. Be cautious while turning or backing up vehicle.
- Personal injury may result if arms, legs, or other parts of body are not kept inside vehicle while it is moving.
- Do not start vehicle until all occupants are seated. Remain seated while vehicle is in motion.
- Before leaving your seat, bring vehicle to a complete stop and lock parking brake to prevent vehicle from moving. If vehicle is to be left unattended, switch key OFF and remove key.
- Do not use accelerator to hold car on an incline — use the brake.
- Make sure key is in position for desired direction of travel before depressing accelerator. **DO NOT CHANGE DIRECTION OF CAR WHILE MOVING!**

WARNING

Failure to comply with the above instructions may result in bodily injury and property damage.

These basic rules of operation, combined with courtesy and common sense will help to make driving the Columbia Utility Vehicle a safe and pleasant experience.

CONTROLS AND OPERATION

Simple controls make it easy to operate the Columbia ParCar. To drive, move directional key switch to desired position and depress accelerator with right foot. Depress brake pedal to slow or stop car.

WARNING

Be sure directional key switch is in desired direction of travel before depressing accelerator.

DIRECTIONAL KEY SWITCH

The switch requires key to operate. Turn to FORWARD position to run car forward. Turn to REVERSE position to run car in reverse. Warning buzzer sounds when in reverse. Key can only be removed when in the OFF position. Switch locks automatically when key is removed. **DO NOT CHANGE DIRECTION UNTIL CAR HAS COME TO A COMPLETE STOP.**

ACCELERATOR

Accelerator pedal starts the engine automatically when depressed. Further movement of pedal operates car at desired speed. The engine stops running when pedal is released. To slow or stop vehicle depress brake.

BRAKE

Depress brake pedal to slow or stop vehicle. To lock brake for parking, depress pedal and tilt forward. **Always apply parking brake when leaving vehicle.** Parking brake remains applied until automatically released by depressing accelerator pedal. Parking brake can also be released by tilting brake pedal backward.

CHOKE

Choke knob is located between seats next to directional key switch. Use choke knob when starting a cold engine. Pull knob outward to choke and move inward gradually as engine warms up. It will probably not be necessary to use choke again unless the engine has completely cooled off.

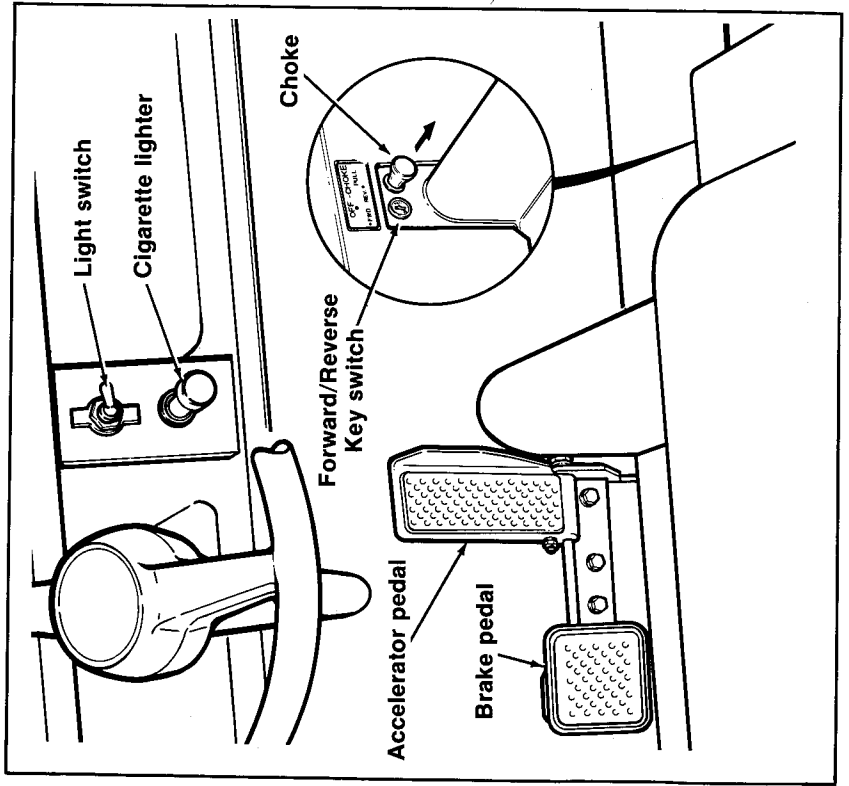
LIGHTS

The Utility Vehicle is equipped with two headlights and two taillights which are controlled by a switch located in the front storage area.

CIGARETTE LIGHTER

The Utility Vehicle is equipped with a cigarette lighter located in the front storage area.

STEERING AND CONTROLS



TRAILERING

WARNING

When trailering Utility Vehicle observe the following safety precautions:

- Use trailer specifically designed to carry golf cars or utility vehicles.
- Secure vehicle to trailer following trailer manufacturer's instructions.
- On vehicles equipped with windshield, cab or suntop, be certain windshield, cab or suntop is secured properly to vehicle to prevent loss or damage while trailering. Also secure vehicle body to chassis as it may raise as a result of air flow on suntop while trailering. Increased trailering speed adds stress to windshield, cab or suntop and subsequently increases chance of loss or damage.

SERVICING

Performance and quality have been designed into every Columbia ParCar. Continued dependable and trouble free service depends primarily on the care and attention given.

Special attention must be given to the maintenance requirements of vehicles in fleets or rental use. Consult your Columbia ParCar dealer for maintenance requirements of fleet operation.

ENGINE LUBRICATION AND FUEL FOR CARS WITH OIL INJECTION

On Columbia ParCars equipped with oil injection it is not necessary to mix oil with the gas. Use regular grade leaded or unleaded gasoline in the fuel tank and Columbia ParCar Lubricant in the oil tank. Early model tanks hold approximately 3 U.S. Qts. (2.8 liters) and are located next to the battery. Oil tanks on late models hold approximately 4 U.S. Qts. (3.8 liters) and are located over the rear axle. Check level of oil in oil tank every time gasoline is added to fuel tank. If necessary to use other than Columbia ParCar Lubricant, use a good quality 2-cycle BIA certified TCW oil.

Use of lubricant other than Columbia ParCar Oil, or other lubricants which DO NOT meet this standard may cause damage to the engine and void the warranty.

WARNING

Gasoline is extremely flammable and highly explosive under certain conditions. Do not fill fuel tank while engine is running. Do not smoke or allow open flames or sparks near car when refueling. Mix fuel in well ventilated area.

ENGINE LUBRICATION AND FUEL FOR CARS WITHOUT OIL INJECTION

The Columbia ParCar is equipped with a 2-cycle gasoline engine which requires oil to be mixed with the gas on cars without oil injection. It is essential to use Columbia ParCar Lubricant in the gas for smokeless, clean, trouble free operation. Use 1-1/2 oz. of lubricant per U.S. gallon (12cc lubricant per liter) of regular grade leaded or unleaded gasoline. If necessary to use other than Columbia ParCar Lubricant, use a good quality 2-cycle BIA certified TCW oil. Thoroughly pre-mix lubricant with gasoline in separate container before placing in tank.

Use of lubricant other than Columbia ParCar Oil, or other lubricants which DO NOT meet this standard may cause damage to the engine and void the warranty.

FUEL MIXTURE TABLE — 85 Parts Gas to 1 Part Columbia ParCar Oil

U.S. Gal. Gas	1/2	1	2	3	4	5	6	7	8	9	10	25	50	85	100
Columbia ParCar Oil	3/4	1 1/2	3	4 1/2	6	7 1/2	9	10 1/2	12	13 1/2	15	37 1/2	75	128	150
	oz.	oz.	oz.	oz.	oz.	oz.	oz.	oz.	oz.	oz.	oz.	oz.	oz.	oz.	oz.
1 U.S. pint = 16 oz.	1 U.S. quart = 32 oz.	1 U.S. gal. = 128 oz.													
1 liter = 33.82 oz.	1 Imp. gal. = 153.7 oz.	1 Imp. gal. = 1.2 U.S. gal.													

SERVICE CHART

Use the following service check chart as a guide for maintaining your Columbia ParCar in top operating condition.

AS NECESSARY OR EVERY WEEK

Cooling Air

- Remove debris from cooling air intake screen in front of engine, particularly after operating car through clippings, dry dandelions, weeds, etc.

CAUTION

If cooling air is restricted, the engine will overheat, causing damage to piston, cylinder and other parts.

Cleaning

- Wash underside of car to remove all dirt and debris.
- Wash body and seats with a mild detergent only. DO NOT use abrasives (bodies are painted).

EVERY MONTH, 24 HOURS OPERATING TIME

Brake

- Adjust brake as follows when brake pedal free travel becomes excessive. Remove brake cable from front brake shoe. Adjust lever adjusting bolt until brake pads bear lightly on brake disc. Apply force to brake cam lever engaging the brake pads tightly against the disc. Adjust pivot bolt until the brake shoes are parallel to the disc. Release brake cam, remove cotter pin and adjust the castle nut on the rear brake shoe until a maximum of .030 in. (0.75 mm) side clearance. 0.15 in. (0.4 mm) on each side is achieved between each brake shoe and the disc. Install cotter pin. Adjust cable length until the brake cable can be reinstalled without engaging or disengaging the brake. (See Service Manual for detailed brake adjustment procedure.)

- Lubricate brake cable annually in conjunction with brake adjustment. Pull back spring on caliper end of cable and lube cable with good quality grease.

Tires

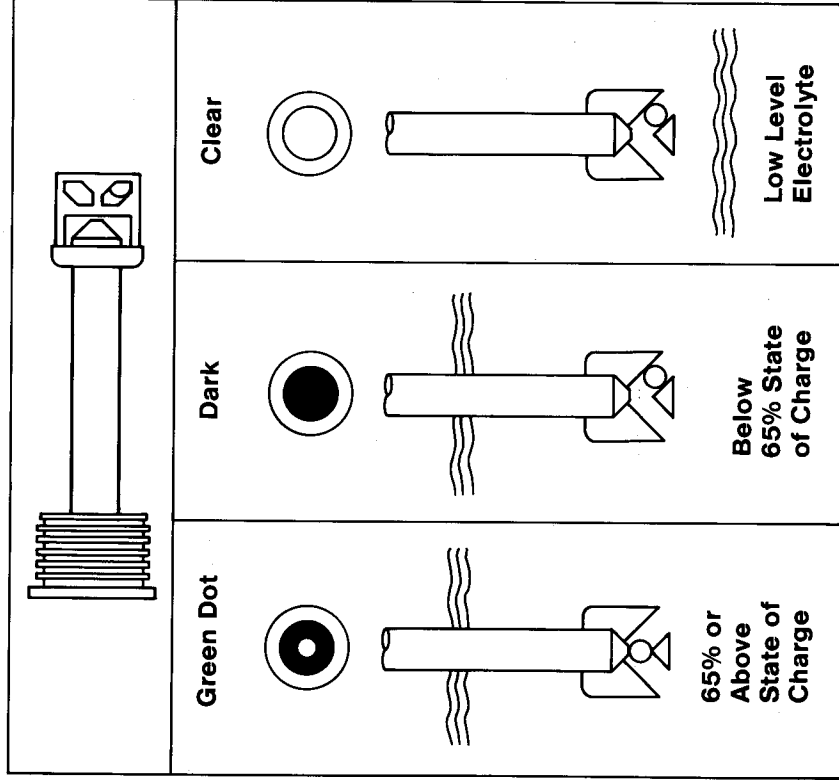
- Check pressure and inflate to 18 psi (1.2 atm).

Controls

- Oil throttle, choke, oil injection (if equipped), and governor swivel blocks and control cable conduit ends.

Battery

- Check Test indicator on top of freedom battery.
- GREEN indicates the battery is adequately charged. DO NOT CHARGE BATTERY. A load test can be run.
- BLACK indicates the battery NEEDS CHARGING. Charge battery in accordance with all specifications.
- LIGHT YELLOW indicates a DEFECTIVE BATTERY. DO NOT CHARGE OR TEST.



CAUTION

Stop charging battery when green dot appears in battery window.

CAUTION

The original equipment battery is sealed, never add water or acid to battery.

WARNING

Batteries contain sulfuric acid. Avoid contact with skin, eyes or clothing.

Antidote:

External — Flush with water.

Internal — Drink large quantities of milk or water followed by milk of magnesia, vegetable oil or beaten eggs. Call doctor immediately.

Eyes — Flush with water and get immediate medical attention.

WARNING

Maximum battery charge rate is 6 amps.

WARNING

Batteries produce explosive hydrogen gas at all times, especially when being charged. To avoid personal injury, keep cigarettes, open flame, and sparks away from the battery at all times. Ventilate area when charging battery. Always protect hands and eyes with a shield or goggles when working near a battery or acid.

CAUTION

Do not use solvent to wash air cleaner element or element will be damaged.

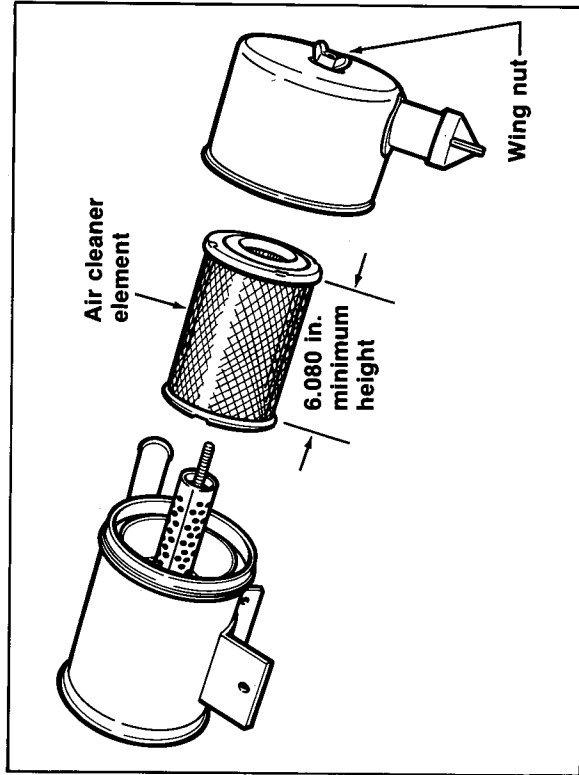
CAUTION

If the air cleaner element is short, the canister cover will contact before the element can seal, leaving a space for dirt to pass. This will damage the engine and void the warranty.

Air Cleaner

■ Service air cleaner more often under dirty operating conditions, or if power loss is noted. The air cleaner element can be removed by loosening the wing nut and removing end of filter housing. The filter element can be cleaned by gently tapping against hand, carefully blowing with compressed air (35 psi [2.4 atm] maximum) from inside out, or if oily, by washing with water and non-sudsing detergent. If water is used, shake off excess and allow element to dry completely. Check automatic dust unloader for obstruction or damage. Replace if necessary.

■ After cleaning, inspect by holding light inside element. An even, fine pattern of light through element indicates element is clean. Any large spot of light indicates that element is damaged and must be replaced. If light does not show through, the pores of the element are blocked and it must be replaced. Replace element after six washings. To ensure maximum air filtration, and canister sealing, coat air filter top and bottom gasket with grease before inserting in filter canister. Install element, and position filter housing with unloader valve pointing downward. Tighten wing nut by hand. To ensure proper canister seal, the air cleaner element must have a minimum height of 6.080" as shown.



Lubrication

- Oil body hinges and braces.
- Grease 4 front suspension fittings.
- Check differential oil level and fill with API Service GL5 Multi-purpose Gear Lubricant APG 90 as required to maintain level ½ inch (13 mm) below filler opening.

EACH SEASON

Perform all monthly service operations in addition to the following:

Spark Plug

- Replace

Ignition

- Inspect and adjust ignition contact points, lubricate rubbing block.
- Adjust ignition timing.
- Readjust oil pump linkage (if equipped).

Carburetor

- Carburetor adjustments should be made by an authorized Columbia ParCar dealer.
- Throttle stop screw adjustment. Close throttle lever and back screw out until throttle plate is fully closed. Turn screw in until it contacts throttle arm, then turn in ¼ turn.
- Low speed mixture adjustment:
— 1 turn open
- Check governor operation. Governor is set at factory for 12 mph (19.4 kph) car speed, 2700-2800 rpm engine speed.

WARNING

DO NOT exceed governed speed of 12 mph (19.4 kph) (2700-2800 rpm). Exceeding 12 mph (19.4 kph) can be hazardous, resulting in loss of vehicle stability and/or control.

Oil Injection Pump (If Equipped)

- Injection pump adjustments and service should be made by an authorized Columbia ParCar dealer.
- With car running at governed speed (2700-2800 rpm) with no load (car jacked up with wheels off ground) dot on oil pump lever should align with line on boss on oil pump body.

Lubrication

- Lube brake shoe operating cam with Loctite® ANTI-SEIZE.

WARNING

Do not get ANTI-SEIZE on brake pads or disc. ANTI-SEIZE is an anti-friction material, and if allowed to contact brake pads or disc, may result in brake loss.

- On steering wheel equipped cars, check steering gear box lubricant level. Remove filler plug and fill with API Service GL5 Multipurpose Gear Lubricant APG 90.
- Clean, inspect and repack front wheel bearings with a water resistant Multipurpose Bearing Grease.

STORAGE

Engine

- Add a good quality fuel stabilizer to the fuel following the manufacturer's recommendations on the container.
- Drain carburetor bowl into suitable container.

WARNING

Gasoline is extremely flammable and highly explosive under certain conditions. Store car in well ventilated area away from heat or open flame (such as pilot light or space heater).

Battery

- With battery fully charged, store battery in as cold a place as possible. If stored above 50°F (27°C), check state of charge every eight to ten weeks, and recharge as necessary.

SPECIFICATIONS

GENERAL FEATURES

Automatic Transmission with Reverse and Governed Forward Speed Adjustable Up to a Maximum of 12 mph (19.4 kph)

Turning Radius (measured from turning center to center of outside tire tread) 12'

Clearance Radius (measured from turning center to outside edge of bumper) 13'8"

DIMENSIONS

Wheelbase 66.5 in. (169 cm)
Ground Clearance 4 in. (10 cm)
Weight 920 lbs. (418 kg)
Maximum Load Capacity 500 lbs. (227 kg)
Gross Vehicle Weight (cargo area) 1950 lbs. (885 kg)
Overall Length 106.5 in. (270 cm)
Overall Width 48 in. (122 cm)
Overall Height 47 in. (119 cm)

CAPACITIES

Fuel Tank 8.5 U.S. gals. (32.2 liters) (Approx.)
Oil Tank (oil injection cars only)
Early Models 3 U.S. qts. (2.8 liters) (Approx.)
Late Models 4 U.S. qts. (3.8 liters) (Approx.)
Differential 24 oz. (710 cc)

BRAKES

Disc brake on drive shaft mechanically operated. Brake pedal incorporates ratchet lock for parking, with automatic release controlled by accelerator pedal.

ENGINE

Type Reversible - two-cycle
 Number of Cylinders One
 Cooling Blower air-cooled
 Mounting Rubber
 Bore 2.75 in. (70 mm)
 Stroke 2.50 in. (64 mm)
 Displacement 14.8 cu. (243 cc)
 Compression Ratio (after port closing 6:0:1) 7.7:1
 Air Cleaner Washable dry-type
 Spark Plug

Type Champion® - L92YC
 Size 14 mm x 1/2" (12.7 mm) reach
 Gap025 in. (.6 mm)
 Torque 15-20 ft-lbs (2-2.7 kg/m)
 Breaker Point Gap Setting012 - .016 in. (.3 - .4 mm)
 Ignition Timing 19° .085 forward (2.16 mm) B.T.C.

POWER TRANSMISSION

Automatic variable-pitch V-belt transmission. Overall drive ratio variable from 10.4 to 38.2.

TIRES

Type High flotation
 Size 8.50 x 8 Std.
 Pressure 18 psi (1.2 atm) front and rear

ELECTRICAL EQUIPMENT

Reversible starter-generator, solid state voltage regulator, coil ignition, 12 volt battery, headlights, taillights and cigarette lighter.

WARNING

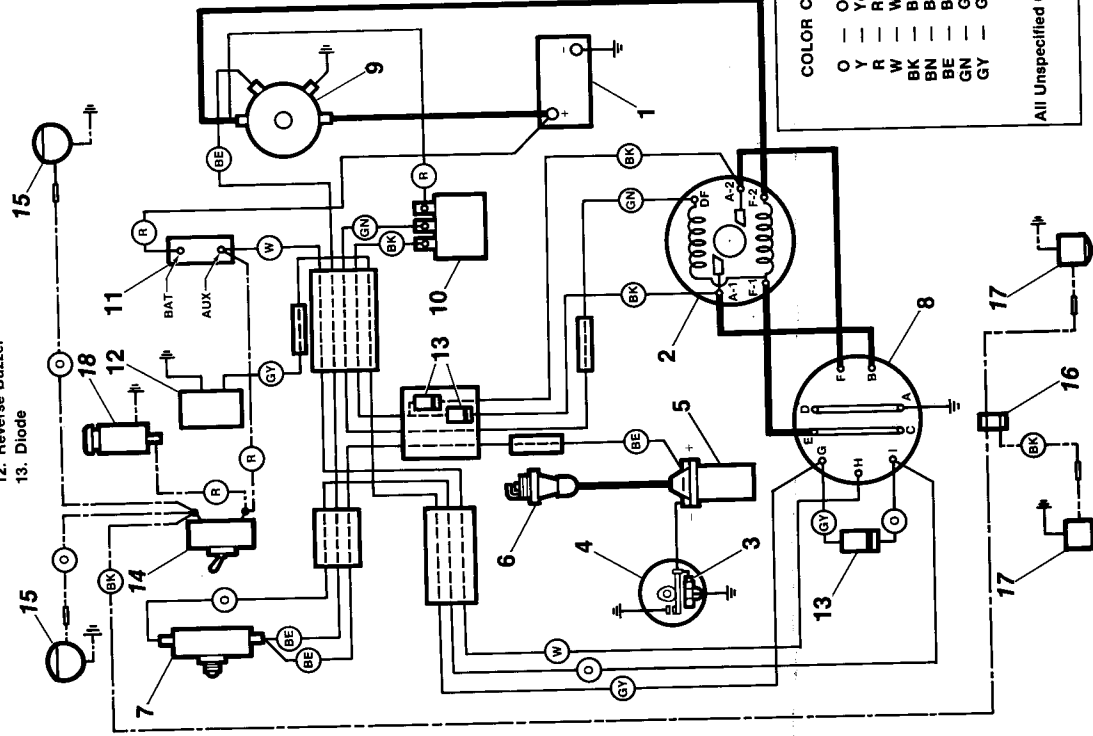
This vehicle does not include stop (brake) lights.

Specifications subject to change without notice.

See your Columbia ParCar dealer for his full line of replacement parts, accessories, service aids and service tools.

WIRING DIAGRAM

- | | |
|-----------------------------|------------------------------|
| 1. Battery | 7. Accelerator Micro Switch |
| 2. Starter-Generator | 8. Directional Key Switch |
| 3. Condenser | 9. Solenoid Switch |
| 4. Ignition Circuit Breaker | 10. Voltage Regulator |
| 5. Ignition Coil | 11. Overload Circuit Breaker |
| 6. Spark Plug | 12. Reverse Buzzer |
| | 13. Diode |
| | 14. Light Switch |
| | 15. Headlight |
| | 16. Connector |
| | 17. Tail Light |
| | 18. Cigarette Lighter |



COLOR CODE
 O Orange
 Y Yellow
 R Red
 W White
 BK Black
 BN Brown
 BE Blue
 GN Green
 GY Gray

All Unspecified Cables Black

COLUMBIA



We warrant to the original consumer purchaser only that our 1985 model gasoline utility vehicle will be free from defects in factory materials and workmanship under normal use and service for a period of 90 days from date of delivery or date of first use, whichever is earlier, as more fully explained below:

1. The battery is warranted by the battery manufacturer under a separate warranty included in your package and is not covered by this warranty. Your Columbia ParCar Dealer will assist you in requesting an adjustment if this becomes necessary.
2. Columbia will pay for parts provided under this warranty and you must pay all other expenses incurred in obtaining warranty repairs, including transportation and labor charges, if any. If we believe factory inspection of an alleged defective part is required, the part must be returned to us, transportation charges prepaid by the purchaser, as prior condition to the allowance of any warranty claim.
3. To qualify for warranty protection, you and the selling dealer must complete the Warranty Registration Form and return it to us within ten days after delivery. If this form is not on file, we will not be able to honor your warranty claims.
4. To obtain warranty service, you must return your utility vehicle during the warranty period to the selling Columbia ParCar Dealer, to any authorized Columbia ParCar Dealer if you have moved a long distance or to any other qualified repair facility. Our dealer should be able to provide service during his normal business hours and within a reasonable time, depending upon his workload and the availability of any necessary parts. For commercial customers, such as country clubs and resorts, this warranty is as stated above except it is void unless the customer uses parts approved by Columbia ParCar and unless repairs and warranty service are performed at an authorized Columbia ParCar dealer. Further information regarding warranty service may be obtained from Columbia ParCar by writing our Customer Service Department, Columbia ParCar Corp., P.O. Box 1, One Golf Car Road, Deerfield, WI 53531.
5. Any changes in utility vehicle design or equipment made during the course of the model season shall not apply to utility vehicles previously manufactured.
6. THIS WARRANTY WILL NOT APPLY TO DEFECTS WHICH ARISE OUT OF:
 - (a) Failure to operate or maintain as specified in the applicable Owner's Manual.
 - (b) Abuse, misuse or neglect, including operation at other than the specified design speed or if used for other than golf play.
 - (c) Alteration or repair outside of factory specifications.
 - (d) Maintenance or operation by use or attachment of accessories, or parts and lubricants not specified by us which adversely affect the golf car's stability, reliability or performance.

1985 GASOLINE UTILITY VEHICLE LIMITED WARRANTY 90 DAYS

7. THIS WARRANTY SHALL NOT APPLY TO:

- (a) Non-genuine parts and any damage caused by their use including damage caused by the use of batteries which do not meet Columbia ParCar specifications.
- (b) Improperly installed repair parts.
- (c) Normal maintenance shown in the Owner's Manual which the purchaser is expected to perform including, but not limited to, brake adjustment, battery maintenance (cleaning, maintaining proper fluid levels and battery charge), lubricant replacement in differential assemblies, etc.
- (d) Fading or deterioration of seats, fiberglass, paint or chrome caused by ordinary wear and tear or exposure.

8. Our dealers are independently owned and operated, and may sell products other than Columbia ParCar. Therefore you should understand that **WE ARE NOT, AND CAN NOT, BE RESPONSIBLE FOR THE QUALITY, SUITABILITY OR SAFETY OF ANY NON-COLUMBIA PART, ACCESSORY OR DESIGN MODIFICATION, INCLUDING LABOR, WHICH MAY BE SOLD AND/OR INSTALLED BY OUR DEALERS OR ANY DAMAGE CAUSED THEREBY.**

THERE IS NO OTHER EXPRESS WARRANTY ON YOUR UTILITY VEHICLE. ANY IMPLIED WARRANTY OF MERCHANTABILITY OR FITNESS IS LIMITED TO THE 90 DAY PERIOD OF THIS WARRANTY. TO THE FULLEST EXTENT ALLOWED BY LAW, COLUMBIA PARCAR CORP. AND ITS DEALERS SHALL NOT BE LIABLE FOR LOSS OF USE, INCONVENIENCE, LOST TIME, COMMERCIAL LOSS OR ANY OTHER INCIDENTAL, CONSEQUENTIAL, OR OTHER DAMAGES.

9. (EXPORT UTILITY VEHICLES ONLY) In the case of utility vehicles sold outside the U.S.A. and Canada, defective parts must be returned to the selling dealer, transportation charges prepaid by the purchaser. Our dealer will then replace all parts which his inspection shall show to be defective under the warranty. We assume no liability for our dealers labor charges, if any, or any other expenses. For further information concerning export utility vehicle service, please contact Columbia ParCar Corp., P.O. Box 1, One Golf Car Road, Deerfield, Wisconsin, 53531 U.S.A. Attn: Customer Service Dept. (608) 764-5474.

Some states do not allow the exclusion or limitation of incidental, consequential or other damages, or limitations on how long an implied warranty lasts, so the above limitations and exclusion may not apply to you. This warranty gives you specific legal rights, and you may also have other rights which vary from state to state.