

Owner's Manual

1989

GASOLINE ParCar

ELECTRIC ParCar

GASOLINE Utilitruck

ELECTRIC Utilitruck

Par  Car[®]

Columbia ParCar Corp.

One Golf Car Road • P.O. Box 1
Deerfield, WI 53531 • (608) 764-5474

Par  Car[®]

PART NO. 99466-89

ParCar and Utilitruck SAFE OPERATING RULES

Before operating the Columbia ParCar and Utilitruck, it is the operator's responsibility to read and follow the safety, operating and maintenance instructions in this manual for personal safety. If you are responsible for the use or rental of the ParCar or the Utilitruck, it is your responsibility to inform the person or persons using the ParCar or the Utilitruck about the following basic rules of operation for their personal safety.

WARNING

For personal safety and to maintain vehicle stability and control:

- To be operated by authorized persons only and only in designated areas.
- This ParCar is restricted to no more than 2 occupants and their equipment. Exceeding this limitation may endanger occupants.
- Utilitrucks are designed to transport no more than two people unless adequate provisions have been made for additional passengers.
- Never exceed load capacity (1,000 lbs. gasoline vehicle and electric vehicle including persons).
- Always properly distribute and secure loads.
- Always drive vehicle slowly straight up and down inclines to avoid overturning vehicle or losing vehicle stability and control. Be cautious while turning or backing up vehicle.
- Personal injury may result if arms, legs, or other parts of body are not kept inside vehicle while it is moving.

- Do not start until all occupants are seated. Remain seated while ParCar or the Utilitruck is in motion.
- Before leaving your seat, bring vehicle to a complete stop and lock parking brake to prevent vehicle from moving. If vehicle is to be left unattended, switch key OFF and remove key.
- Do not use accelerator to hold car on an incline — use the brake.
- Make sure key is in position for desired direction of travel before depressing accelerator. **DO NOT CHANGE DIRECTION OF VEHICLE WHILE MOVING!**

Failure to comply with above warnings may result in bodily injury and property damage.

These basic rules of operation, combined with courtesy and common sense will help to make driving the Columbia ParCar and the Utilitruck a safe and pleasant experience.

CONTROLS AND OPERATION

Simple controls make it easy to operate the Columbia ParCar. To drive, move directional key switch to desired position and depress accelerator with right foot. Depress brake pedal to slow or stop car.

WARNING

Be sure directional key switch is in desired direction of travel before depressing accelerator.

DIRECTIONAL KEY SWITCH

The switch requires key to operate. Turn to FORWARD position to run car forward. Turn to REVERSE position to run car in reverse. Warning buzzer sounds when in reverse. Key can only be removed when in the OFF position. Switch locks automatically when key is removed. **DO NOT CHANGE DIRECTION UNTIL CAR HAS COME TO A COMPLETE STOP.**

ACCELERATOR

Gasoline Cars

Accelerator pedal starts the engine automatically when depressed. Further movement of pedal operates car at desired speed. The engine stops running when pedal is released. To slow or stop vehicle depress brake.

ACCELERATOR

Electric Cars

Accelerator pedal operates the ParCar in selected speeds as pedal is depressed. With key in desired position, depress accelerator to operate car in desired direction.

BRAKE

3-Wheel ParCar and Utilitruck

Depress brake pedal to slow or stop vehicle. To lock brake for parking, depress pedal and tilt forward. **Always apply parking brake when leaving vehicle.** Parking brake remains applied until automatically released by depressing accelerator pedal. Parking brake can also be released by tilting brake pedal backward.

BRAKE

4-Wheel ParCar

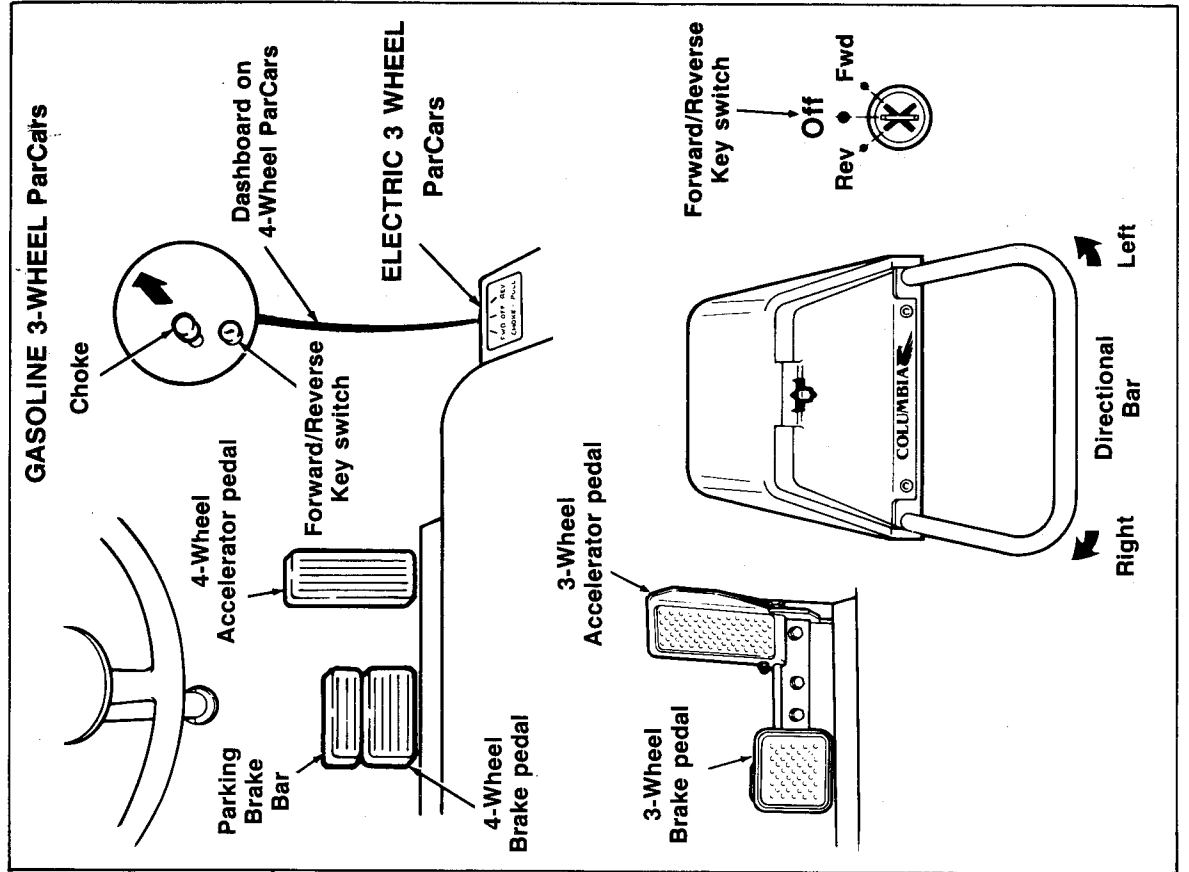
Depress brake pedal to slow or stop vehicle. The parking brake lock is controlled by a bar located across the top of the pedal. To lock brake for parking, depress pedal and bar at the same time. **Always apply parking brake when leaving vehicle.** Parking brake remains applied until automatically released by depressing accelerator pedal. Parking brake can also be released by momentarily pressing brake pedal and then releasing.

CHOKES

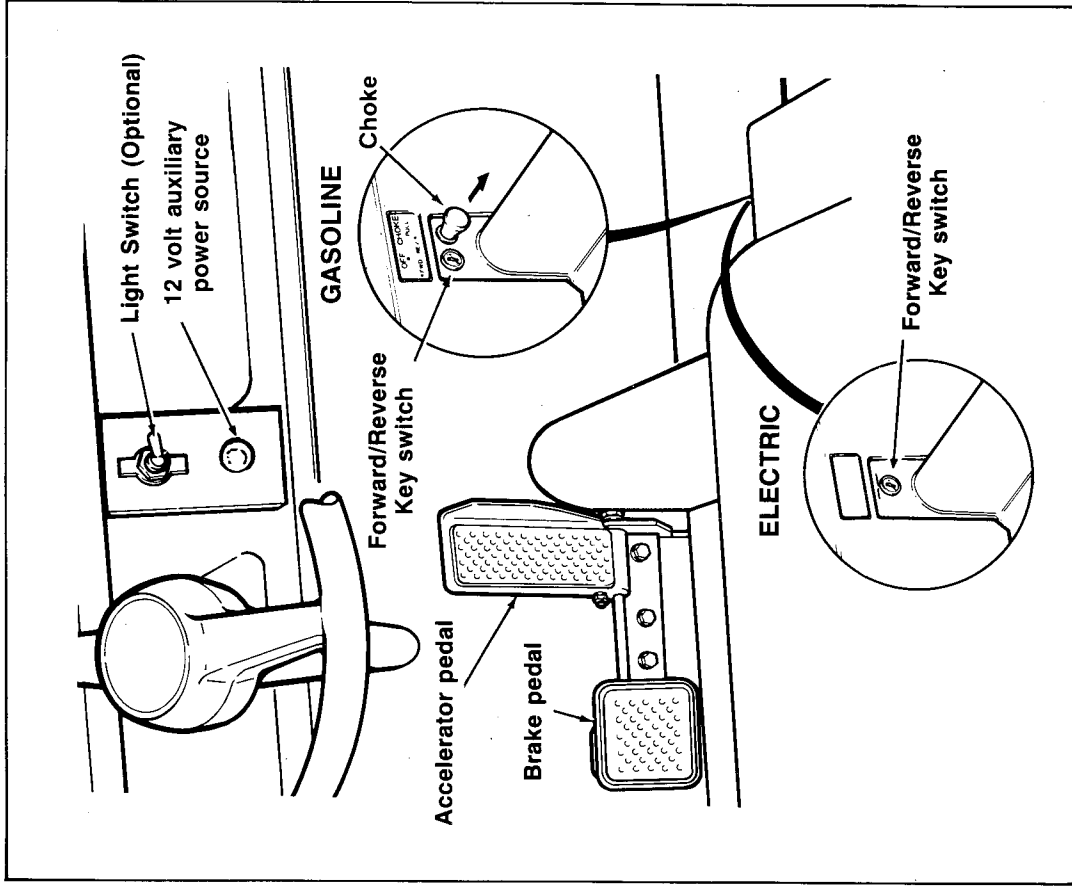
Choke knob on the Utilitruck is located in the front surface of the rear body between seats on 3-wheel, dashboard on 4-wheel, next to directional key switch. Use choke knob when starting a cold engine. Pull knob out to choke. Note: choke is spring returned to the open position. It will probably not be necessary to use choke again unless the engine has completely cooled off.

ParCars STEERING AND CONTROLS

- 4-wheel models are equipped with a steering wheel.
- 3-wheel models may be ordered with directional bar or steering wheel.



Utilitruck STEERING AND CONTROLS



AUXILIARY POWER SOURCE

The Utilitruck is equipped with an auxiliary power source located in the front storage area. This may be used for a 12 volt DC negative ground electrical accessory.

TRAILERING

WARNING

When Trailering ParCars and Utilitrucks observe the following safety precautions:

- Use trailer specifically designed to carry ParCars or Utilitrucks.
- Secure vehicle to trailer following trailer manufacturer's instructions.
- On vehicles equipped with windshield, cab or suntop, be certain windshield, cab or suntop is secured properly to vehicle to prevent loss or damage while trailering. Also secure vehicle body to chassis as it may raise as a result of air flow on suntop while trailering. Increased trailering speed adds stress to windshield, cab or suntop and subsequently increases chance of loss or damage.

GASOLINE ParCar AND Utilitruck SERVICING

Performance and quality have been designed into every Columbia ParCar. Continued dependable and trouble free service depends primarily on the care and attention you provide.

Special attention must be given to the maintenance requirements of vehicles in fleets or rental use. Consult your Columbia ParCar dealer for maintenance requirements of fleet operation.

ENGINE LUBRICATION AND FUEL FOR CARS WITH OIL INJECTION

On Columbia ParCars equipped with oil injection it is not necessary to mix oil with the gas. Use regular grade leaded or unleaded gasoline in the fuel tank and Columbia ParCar Lubricant Part No. 99802-84 in the oil tank. If other oil is used we recommend a good quality petroleum based 2-cycle oil certified B.I.A.T.C.W. Oil tanks hold approximately 3.5 U.S. Qts. (3.3 liters) and are located over the rear axle. Check level of oil in oil tank every time gasoline is added to fuel tank.

Use of lubricant other than Columbia ParCar Oil, or other lubricants which DO NOT meet ParCar standards may cause damage to the engine and void the warranty.

WARNING

Gasoline is extremely flammable and highly explosive under certain conditions. Do not fill fuel tank while engine is running. Do not smoke or allow open flames or sparks near car when refueling. Mix fuel in well ventilated area.

ENGINE LUBRICATION AND FUEL FOR CARS WITHOUT OIL INJECTION

The Columbia ParCar is equipped with a 2-cycle gasoline engine which requires oil to be mixed with the gas on cars without oil injection. It is essential to use the correct oil to avoid engine damage. (continued)

EVERY MONTH, 24 HOURS OPERATING TIME OR 32 ROUNDS

Brake

Gasoline ParCar

- To adjust brake:
 1. Loosen locknuts on brake rod clevises. Loosen clevis to provide slack in linkage.
 2. Raise rear wheels of car off ground. Support with stands.
 3. Remove rubber protective boots from brake adjusters on brake backing plates.
 4. While rotating rear wheel turn adjusting screw in until brake locks. Back off adjusting screw until wheel rotates freely (5 clicks). Replace boot. Adjust opposite brake in same manner.
 5. Remove clevis pin from rear end of brake rod clevis. Turn clevis to lengthen or shorten rod as necessary to provide tension on brake cables without allowing brakes to drag.
 6. Replace clevis pin and cotter pin.
 7. Tighten locknut on brake rod.
 8. Check free travel of pedal and brake function.

Gasoline Utilitruck

- To adjust brake:
 1. Raise both rear wheels off ground and block frame.
 2. Remove both rear wheels.
 3. Replace wheel lug nuts firmly with flat side against brake drum.
 4. Rotate brake drum so oblong adjusting slot is located at about a one o'clock position.
 5. Loosen brake linkage rod located under floorboard on driver's side to provide slack in brake cables.

tial to use Columbia ParCar Lubricant Part No. 99802-84 in the gas for smokeless, clean, trouble free operation, use 1-1/2 oz. of ParCar lubricant per U.S. gallon (12cc lubricant per liter). If other lubricant is used, you must add 2-1/2 oz. good quality petroleum based 2-cycle oil certified B.I.A.T.C.W. and regular grade leaded or unleaded gasoline. Thoroughly pre-mix lubricant with gasoline in separate container before placing in tank.

Use of lubricant other than Columbia ParCar Oil, or other lubricants which DO NOT meet ParCar standards may cause damage to the engine and void the warranty.

FUEL MIXTURE TABLE — 85 Parts Gas to 1 Part Columbia ParCar Oil															
U.S. Gal. Gas	1/2	1	2	3	4	5	6	7	8	9	10	25	50	85	100
Columbia ParCar Oil	3/4	1-1/2	3	4-1/2	6	7-1/2	9	10-1/2	12	13-1/2	15	37-1/2	75	128	150
	oz.	oz.	oz.	oz.	oz.	oz.	oz.	oz.	oz.	oz.	oz.	oz.	oz.	oz.	oz.
1 U.S. pint = 16 oz.	1 U.S. quart = 32 oz.										1 U.S. gal. = 128 oz.		1 qt. 2 qt. 1 gal. 1 gal.		
1 liter = 33.82 oz.	1 Imp. gal. = 153.7 oz.										1 Imp. gal. = 1.2 U.S. gal.		4-1/2 11 oz. oz.		

SERVICE CHART

Use the following service check chart as a guide for maintaining your Columbia ParCar in top operating condition.

AS NECESSARY OR EVERY WEEK

Cooling Air

- Remove debris from cooling air intake screen in front of engine, particularly after operating car through clippings, dry dandelions, weeds, etc.

Cleaning

- Wash underside of car to remove all dirt and debris.
- Wash body and seats with a mild detergent only. DO NOT use abrasives (bodies are painted). Apply ParCar Cleaner Part No. 99642-85 and Sealer Part No. 99643-85. Order through Columbia ParCar Parts Department.

6. Using a brake adjusting tool, rotate brake adjuster star wheel upward until shoes are forced firmly against drum so drum will not rotate.
7. Back off star wheel five (5) notches to provide operating clearance.
8. Repeat procedure to adjust opposite side brake.
9. Readjust linkage rod to allow parking brake to lock in first ratchet tooth.
10. Replace rear wheels and tighten lug nuts to 35 ft. lbs. torque.

Tires

- Check pressure and inflate to 18 psi (1.2 atm).

Controls

- Oil throttle, choke, oil injection (if equipped), and governor swivel blocks and control cable conduit ends.

CAUTION

Do not overcharge battery, overcharging could cause damage to battery cells.

CAUTION

The original equipment battery is sealed, never add water or acid to battery.

WARNING

Batteries contain sulfuric acid. Avoid contact with skin, eyes or clothing.

Antidote:

External — Flush with water.

Internal — Drink large quantities of milk or water followed by milk of magnesia, vegetable oil or beaten eggs. Call doctor immediately.

Eyes — Flush with water and get immediate medical attention.

WARNING

Maximum battery charge rate is 6 amps.

WARNING

Batteries produce explosive hydrogen gas at all times, especially when being charged. To avoid personal injury, keep cigarettes, open flame, and sparks away from the battery at all times. Ventilate area when charging battery. Always protect hands and eyes with a shield or goggles when working near a battery or acid.

Air Cleaner

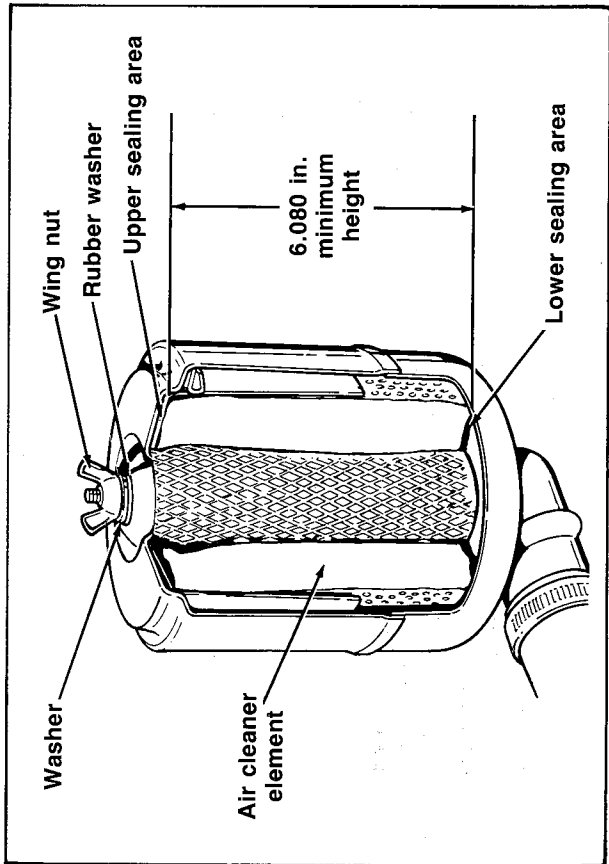
- Service air cleaner more often under dirty operating conditions, or if power loss is noted. The air cleaner element can be removed by loosening the wing nut and removing end of filter housing.
- Check automatic dust unloader for obstruction or damage. Replace if necessary.
- Replace air cleaner element if dirty with element purchased from Columbia ParCar Authorized Dealer or Service Center. Install element, and position filter housing with unloader valve pointing outward. Tighten wing nut snugly by hand. To ensure proper canister seal, the air cleaner element must have a minimum height of 6.080" as shown.

CAUTION

Do not use solvent to wash air cleaner element or element will be damaged.

CAUTION

If air cleaner element is short, the canister cover will contact before the element can seal, leaving a space for dirt to pass. This will damage the engine and void the warranty.



Lubrication

- Oil body hinges.
- Using grease fittings (2 on 3-wheel, 7 on 4-wheel, and 4 on Utilitruck), grease with high quality chassis grease.
- Check differential oil level and fill with API Service GL5 Multipurpose Gear Lubricant APG 90 Part No. 99890-61A available through Columbia ParCar Parts Department as required to maintain level 1/2 inch (13 mm) below filter opening.

EACH SEASON

Perform all monthly service operations in addition to the following:

Spark Plug

- Replace with Champion L95YC or N6KBP4HS.

Lubrication

- On steering wheel equipped 3-wheel ParCars and Utilitrucks, check steering gear box lubricant level. Remove filler plug and fill with API Service GL5 Multipurpose Gear Lubricant APG 90.
- Clean, inspect and repack front wheel bearings with a water resistant Multipurpose Bearing Grease on 3-wheel ParCars and Utilitrucks.

GASOLINE ParCar GASOLINE Utilitruck PROLONGED STORAGE

Engine

- Add a good quality fuel stabilizer to the fuel following the manufacturer's recommendations on the container.
- Drain carburetor bowl into suitable container. This will prevent the inlet needle from sticking due to varnish build up.

WARNING

Gasoline is extremely flammable and highly explosive under certain conditions. Store car in well ventilated area away from heat or open flame (such as pilot light or space heater).

Battery

- With battery fully charged, store battery in as cold a place as possible. If stored above 50° F (27° C), check state of charge every eight to ten weeks, and recharge as necessary.

**GASOLINE ParCar
MODEL G4S AND P4G
GENERAL FEATURES**

Automatic Transmission with Reverse and Governed Forward Speed Adjustable Up to a Maximum of 12 mph (19.4 kph)

Turning Radius (measured from turning center to center of outside tire tread)

4-Wheel	8'
3-Wheel (with Directional Bar)	12'
(with Steering Wheel)	9'

Clearance Radius

4-Wheel	10'
3-Wheel (with Directional Bar)	13'8"
(with Steering Wheel)	10'8"

DIMENSIONS

	G4S	4-Wheel P4G	3-Wheel
Wheelbase	65 in.	63.5 in.	60.5 in.
Ground Clearance	4 in.	4 in.	4 in.
Weight	694 lbs.	655 lbs.	671 lbs.
Max. Load Capacity	750 lbs.	750 lbs.	750 lbs.
Overall Length	94.62 in.	92.5 in.	91 in.
Overall Width	44.25 in.	44.5 in.	45.5 in.
Overall Height	47.5 in.	46 in.	46.5 in.

**GASOLINE Utilitruck
GENERAL FEATURES**

Automatic Transmission with Reverse and Governed Forward Speed Adjustable Up to a Maximum of 12 mph (19.4 kph)

Turning Radius (measured from turning center to center of outside tire tread) 12'

Clearance Radius (measured from turning center to outside edge of bumper) 13'8"

DIMENSIONS

Wheelbase	66.5 in.
Ground Clearance	4 in.
Weight	920 lbs.
Maximum Load Capacity*	1000 lbs.
Gross Vehicle Weight (cargo area)	1720 lbs.
Overall Length	106.5 in.
Overall Width	48 in.
Overall Height	47 in.

*including driver and passenger.

**GASOLINE ParCar
GASOLINE Utilitruck
SPECIFICATIONS
CAPACITIES**

Fuel Tank	8 U.S. gals. (32.2 liters) (Approx.)
Oil Tank (oil injection cars only)	3.5 U.S. qts. (3.3 liters) (Approx.)
Differential	24 oz. (710 cc)

ENGINE

Type	Reversible - two-cycle
Number of Cylinders	One
Cooling	Blower air-cooled
Mounting	Rubber
Bore	2.75 in. (70 mm)
Stroke	2.50 in. (64 mm)
Displacement	14.8 cu. (243 cc)
Compression Ratio (after port closing 6.0:1)	7.7:1
Air Cleaner	Dry-type
Spark Plug	

Type	Champion L95CY or N6KBP4HS
Size	14 mm x 1/2" (12.78 mm) reach
Gap	.025 in. (.6 mm)
Torque	15-20 ft.-lbs. (2-2.7 kg/m)
Ignition Timing	19° .085 forward (2.16 mm) B.T.C.

POWER TRANSMISSION

Automatic variable-pitch V-belt transmission. Overall drive ratio variable from 10.4 to 38.2.

BRAKES

Drum brakes on rear wheels mechanically operated. Brake pedal incorporates ratchet with spring loaded linkage compensating for brake shoe wear, with automatic release controlled by accelerator pedal.

TIRES

Type	High flotation
Size	8.50 x 8 Std.
Pressure	18 psi (1.2 atm) front and rear

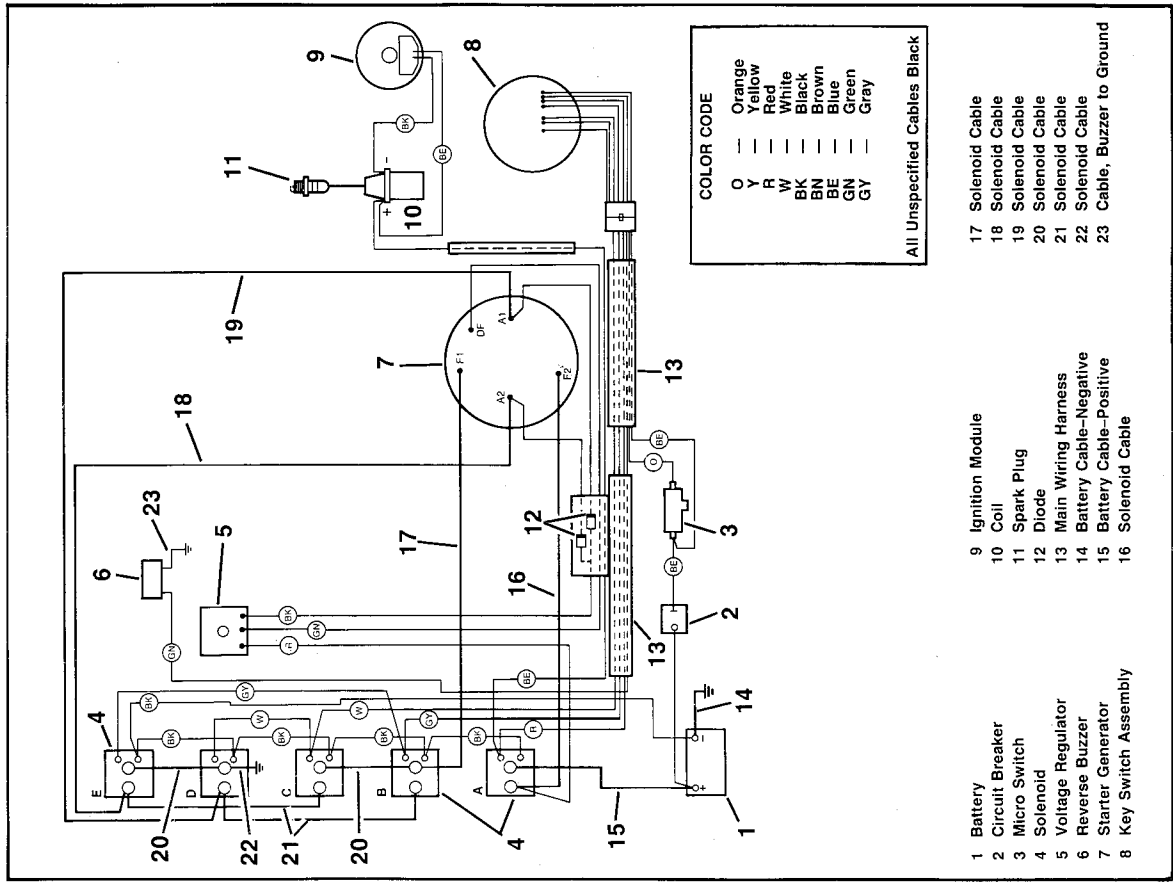
ELECTRICAL EQUIPMENT

Reversible starter-generator, solid state voltage regulator, coil ignition. 12 volt battery.

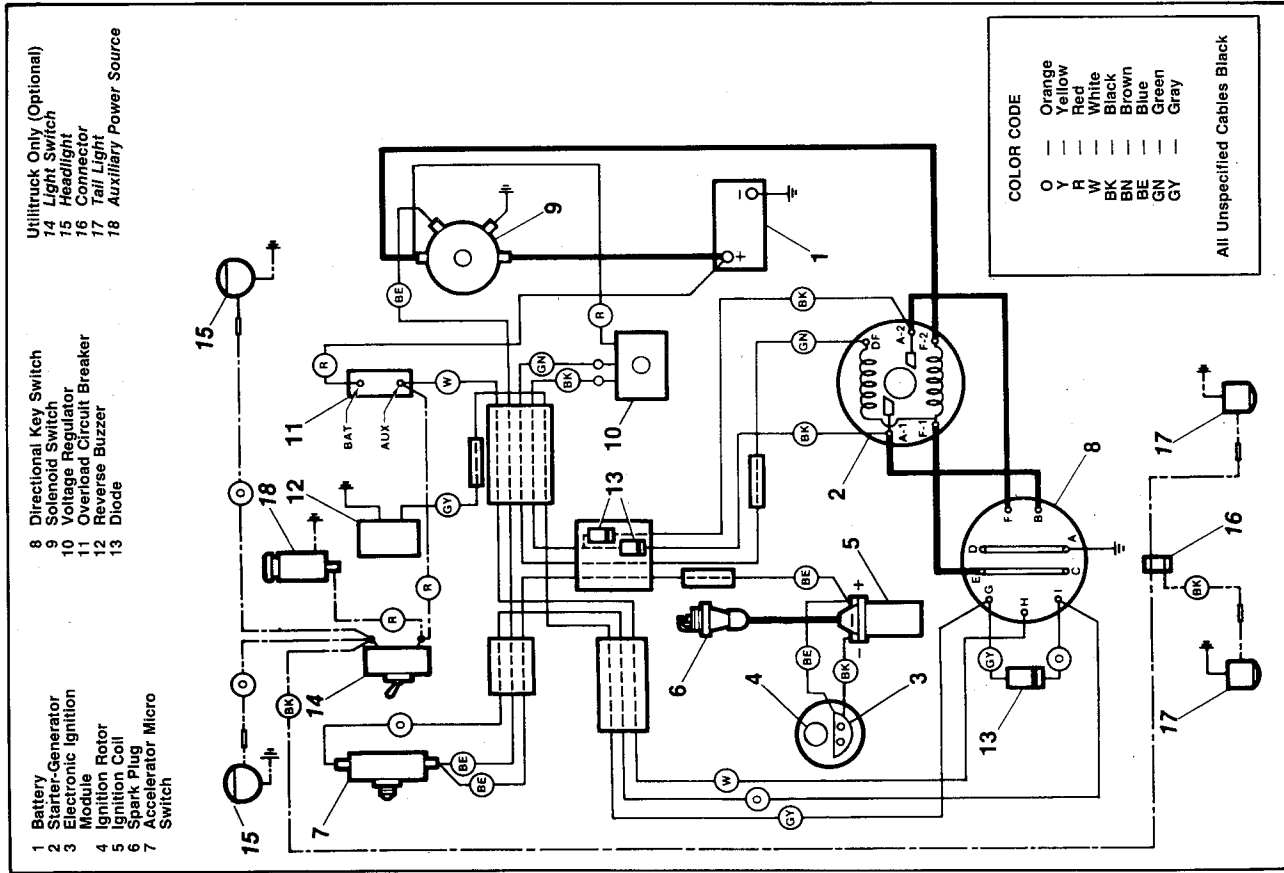
Specifications subject to change without notice.

See your Columbia ParCar dealer for his full line of replacement parts, accessories, service aids and service tools.

GASOLINE 4-WHEEL ParCars AND GASOLINE Utilitruck WIRING DIAGRAM



GASOLINE 3-WHEEL ParCars AND GASOLINE Utilitruck WIRING DIAGRAM



ELECTRIC ParCar ELECTRIC Utilitruck SERVICING

Performance and quality have been designed into every Columbia ParCar. Continued dependable and trouble free service depends primarily on the care and attention you provide.

Special attention must be given to the maintenance requirements of ParCars in fleets or rental use. Consult your Columbia ParCar dealer for maintenance requirements of fleet operation.

Use the following charging time chart as a guide for maintaining batteries in top condition. The detailed service procedures are outlined in service manuals available from your Columbia ParCar dealer.

NOTE

For optimum battery performance, limit the use of new batteries to 18 holes between charges for first 5 charging cycles. This will prevent premature failure of the batteries.

CHARGING TIME CHART

CHARGING TIME

ParCar USAGE

9 Holes	7 Hours*
18 Holes or More	12 Hours*

*Approximate time to recharge batteries at 70° F (20° C) using Charger Part No. 66534-83 or 66499-82 available from Columbia ParCar Parts Department.

NOTE

Charging times to fully charge batteries vary with differences in temperature. Cold temperature requires longer charge times.

If performance, service per charge is effected by the charger electrical supply, check facility for proper wire size, circuit breaker is adequate for charging while giving protection from overload. Check charger instructions, local codes, and your Columbia dealer for full details.

To service batteries, speed switch, motor or brakes, lift body up.

(continued)

WARNING

Always disconnect one negative battery cable from each bank of batteries before performing any ParCar service to avoid accidental start-up of vehicle and possible personal injury.

SERVICE CHART

Use the following service check chart as a guide for maintaining your Columbia ParCar in top operating condition.

DAILY

Batteries

- Fully charge batteries after each useage as shown in chart on page 23. Charging receptacle is located on front side of rear body between seats. On Model P4E receptacle is located on left side of car under shell. Be sure key switch is off, key removed from switch and accelerator pedal released.

WARNING

Batteries give off hydrogen gas which is highly explosive! DO NOT allow flame or sparks near charging area when charging. Charging area must be well ventilated.

WARNING

Batteries contain sulfuric acid. Avoid contact with skin, eyes or clothing.

Antidote

External — Flush with water.

Internal — Drink large quantities of milk or water followed by milk of magnesia, vegetable oil, or beaten eggs. Call doctor immediately.

Eyes — Flush with water and get immediate medical attention.

AS NECESSARY OR EVERY WEEK

Batteries

- Check electrolyte level. Fill to marker in each cell with distilled water or water low in mineral content after charging.

Cleaning

- Wash underside of car to remove all dirt and debris.
- Wash body and seats with a mild detergent only. DO NOT use abrasives (bodies are painted). Apply ParCar Cleaner Part No. 99642-85 and Sealer Part No. 99643-85. Order through Columbia ParCar Parts Department.

EVERY MONTH, 24 HOURS OPERATING TIME OR 32 ROUNDS

Brake

Electric ParCar

- To adjust brake:

- Loosen locknuts on brake rod clevises. Loosen clevis to provide slack in linkage.
- Raise rear wheels of car off ground. Support with stands.
- Remove rubber protective boots from brake adjusters on brake backing plates.
- While rotating rear wheel turn adjusting screw in until brake locks. Back off adjusting screw until wheel rotates freely (5 clicks). Replace boot. Adjust opposite brake in same manner.
- Remove clevis pin from rear end of brake rod clevis. Turn clevis to lengthen or shorten rod as necessary to provide tension on brake cables without allowing brakes to drag.
- Replace clevis pin and cotter pin.
- Tighten locknut on brake rod.
- Check free travel of pedal and brake function.

(continued)

Electric Utilitruck

- To adjust brake:
 1. Raise both rear wheels off ground and block frame.
 2. Remove both rear wheels.
 3. Replace wheel lug nuts firmly with flat side against brake drum.
 4. Rotate brake drum so oblong adjusting slot is located at about a one o'clock position.
 5. Loosen brake linkage rod located under floorboard on driver's side to provide slack in brake cables.
 6. Using a brake adjusting tool, rotate brake adjuster star wheel upward until shoes are forced firmly against drum so drum will not rotate.
 7. Back off star wheel five (5) notches to provide operating clearance.
 8. Repeat procedure to adjust opposite side brake.
 9. Readjust linkage rod to allow parking brake to lock in first ratchet tooth.
 10. Replace rear wheels and tighten lug nuts to 35 ft. lbs. torque.

Tires

- Check pressure and inflate to 18 psi (1.2 atm) ParCar, 50 psi (3.4 atm) Utilitruck.

Electrical

- Check solenoid terminal connections and battery connections. Tighten and clean as required.

Lubrication

- Oil body hinges.

- Using grease fittings (2 on 3-wheel, 7 on 4-wheel, and 4 on Utilitruck), grease with high quality chassis grease.
- Check differential oil level and fill with API Service GL5 Light Weight Gear Lubricant APG 75 as required to maintain level 1/2 inch (13 mm) below filler opening.

EACH SEASON

Perform all monthly service operations in addition to the following:

Lubrication

- On steering wheel equipped 3-wheel ParCars and Utilitrucks, check steering gear box lubricant level. Remove filler plug and fill with API Service GL5 Multipurpose Gear Lubricant APG 90.
- Clean, inspect and repack front wheel bearings with a water resistant Multipurpose Bearing Grease on 3-wheel ParCars and Utilitrucks.

STORAGE

- Fully charge batteries. With electrolyte level up in all cells, store batteries in as cold a place as possible. If stored above 50° F (27° C), check state of charge every 8 to 10 weeks and charge as necessary to maintain 1.250 to 1.270 specific gravity. Use the chart below to determine freezing point of battery and maximum recommended storage temperature.

Specific Gravity	1.260		1.230		1.200		1.117		1.110	
	F	C	F	C	F	C	F	C	F	C
Freezing Point of Electrolyte	-70	-57	-39	-38	-16	-26	-2	-19	+17	-8

ELECTRIC ParCar MODEL P4E, E4S GENERAL FEATURES

Maximum Speed on Level Ground Surface 12 MPH

Turning Radius (measured from turning center to center of outside tire tread)

4-Wheel 8'
3-Wheel (with Steering Wheel) 9'

Clearance Radius

4-Wheel 10'
3-Wheel (with Steering Wheel) 10'8"

DIMENSIONS

	4-Wheel		3-Wheel
	G4S	P4G	
Wheelbase	65.0 in.	63.5 in.	60.5 in.
Overall Length	94.62 in.	92.5 in.	91 in.
Overall Width	44.25 in.	44.5 in.	45 in.
Overall Height	47.5 in.	46 in.	46.5 in.
Ground Clearance	4 in.	4 in.	4 in.
Weight			
w/o batteries	629 lbs.	590 lbs.	613 lbs.
with batteries	977 lbs.	938 lbs.	961 lbs.
Maximum Load Capacity	750 lbs.	750 lbs.	750 lbs.

ELECTRIC Utilitruck GENERAL FEATURES

Maximum Speed on Level Ground Surface 11 MPH

Turning Radius (measured from turning center to center of outside tire tread) 12'

Clearance Radius (measured from turning center to outside edge of bumper) 13'8"

DIMENSIONS

Wheelbase 66.5 in.
Ground Clearance 4 in.
Weight 1143 lbs.
Maximum Load Capacity* 800 lbs.
Gross Vehicle Weight (cargo area) 1643 lbs.
Overall Length 106.5 in.
Overall Width 48 in.
Overall Height 47 in.

*including driver and passenger.

ELECTRIC ParCar ELECTRIC Utilitruck SPECIFICATIONS

MOTOR

Type Series wound, reversible
Rating 2 H.P. @ 2800 R.P.M., 36 volts

DRIVE

Direct Drive Motor to Differential Shaft 12.25
Drive Ratio

BATTERIES

Type 6-volt electric vehicle (EV) lead storage battery
Quantity 6 per car
Rating 106 minutes (75 amp discharge at 80° F to 5.25 volts)
Charge Rate (total for 6 batteries in series) Maximum; 25 amperes with automatic charger reduction to low rate

TIRES

ParCar

Type High Flotation
 Size 8.50 x 8 Std.
 Pressure 18 psi (1.2 atm), front and rear

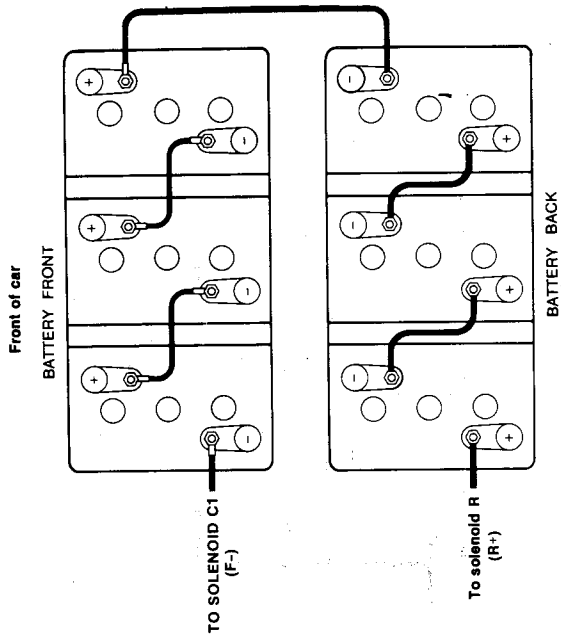
Utilitruck

Type High Speed
 Size 5.70 x 8
 Pressure 50 psi (3.4 atm)

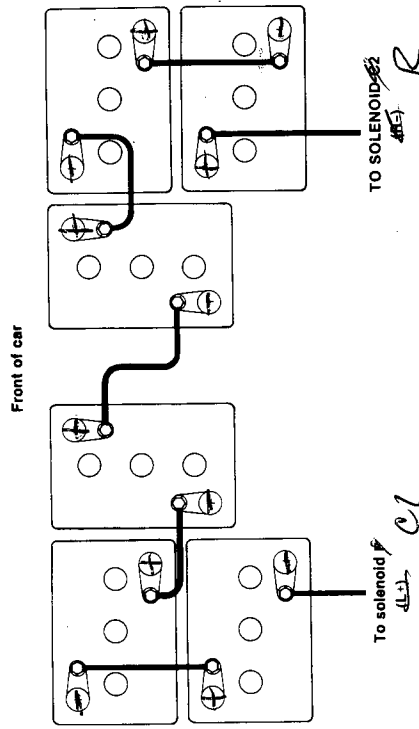
BRAKES

Drum brakes on rear wheels mechanically operated. Brake pedal incorporates ratchet with spring loaded linkage compensating for brake shoe wear, with automatic release controlled by accelerator pedal.

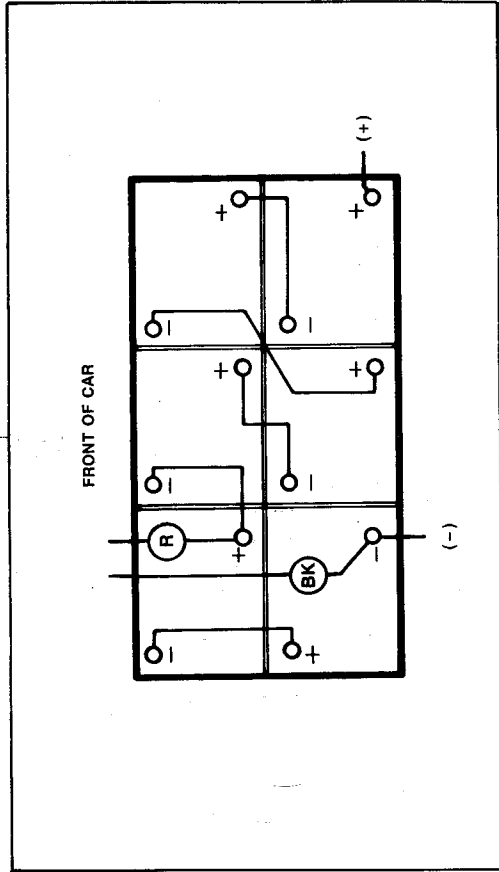
3-WHEEL ParCar BATTERY INSTALLATION DIAGRAM



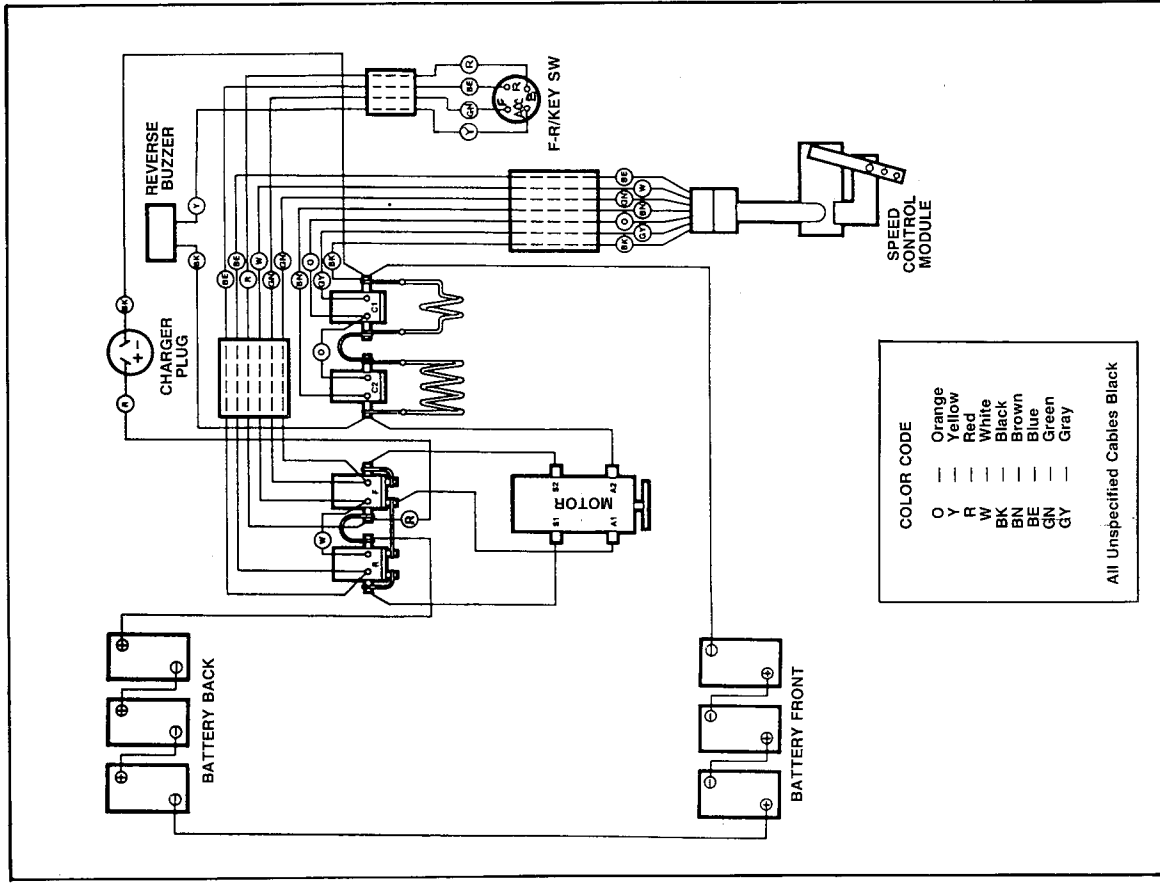
MODEL P4E, E4S 4-WHEEL ParCar BATTERY INSTALLATION



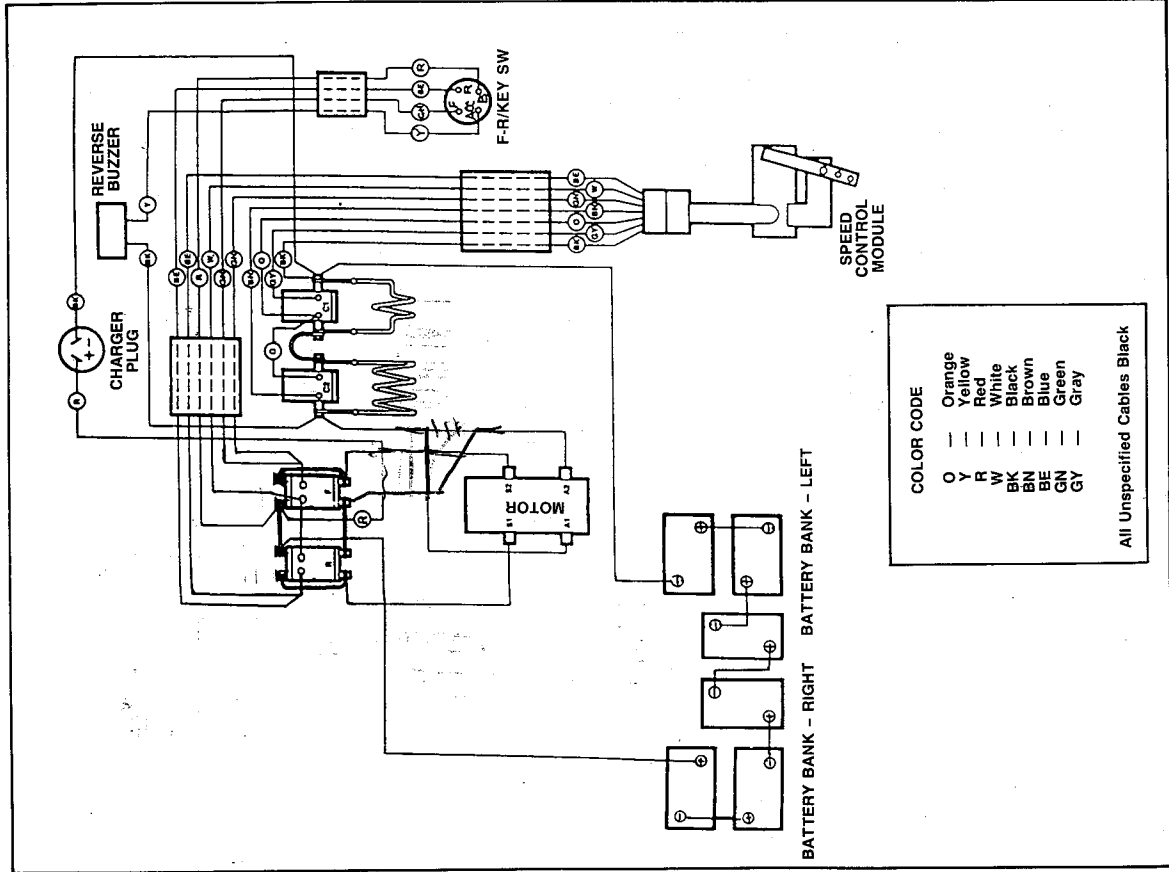
ELECTRIC Utilitruck BATTERY INSTALLATION



ELECTRIC 3-WHEEL ParCar WIRING DIAGRAM



MODEL P4E, E4S ELECTRIC 4-WHEEL ParCar WIRING DIAGRAM



ELECTRIC Utilitruck WIRING DIAGRAM

