

DBC-67-C-1SF

NWAV™ Dual-Band Combiner

DBC-67-C-1SF

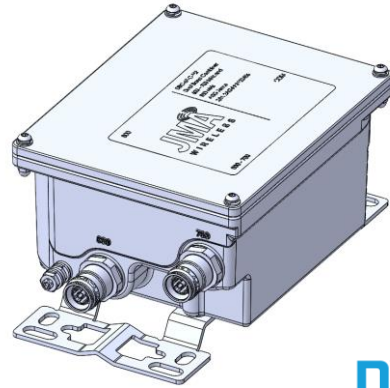
Dual-band combiner

600–700/850

DC/AISG sensing

Single unit

4.3-10 connectors




- Future-proofs 700/850 diplexed sites for 600 MHz addition
- Very low insertion loss and high isolation for optimized system performance
- Automatic DC sense for easy installation and site evolution
- Industry-leading connector technology for lasting performance
- Compatible with JMA WPS weatherproofing solution

Electrical specification

Passband	600–700	850
Frequency, MHz	555–787	824–894
Insertion loss, dB avg.	0.15	
Insertion loss, dB max.	0.3	
Return loss, dB min.	22	
Isolation to other bands, dB min.	60	
Average input power, W max.	250	
Input peak envelope power (PEP), W max.	3000	
PIM 2x +43 dBm, dBc min.	-156	

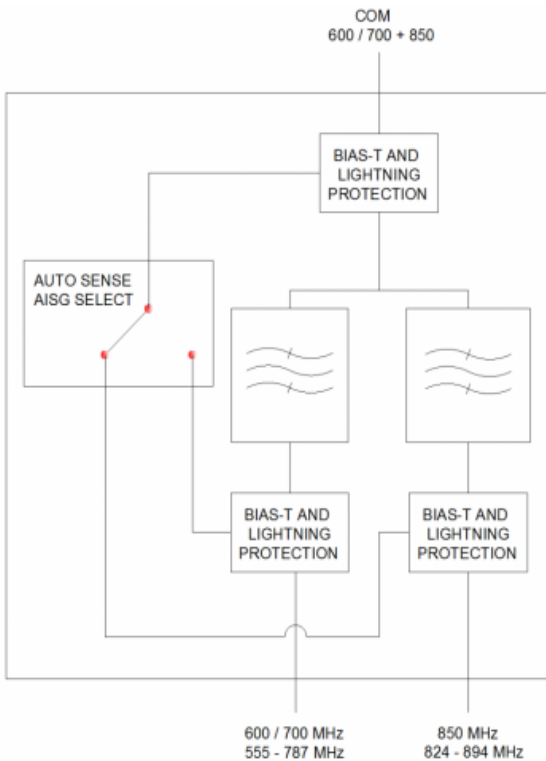
Environmental specifications

Environmental rating	ETSI EN 300 019 class 4.1, RoHS
Ingress protection	IP67, unmatd
Temperature range, °C	-40 to +65
Temperature range, °F	-40 to +149
Wind force @ 200 km/h (125 mph) front/side, lbf	8.00 / 5.12
Lightning protection all ports	RF port: ±10kA max. (8/20us), IEC 61000-4-5
Altitude	3,000 m max. 10,000 ft max.
Mean time between failures (MTBF)	>10 ⁶

DBC-67-C-1SF

NWAV™ Dual-Band Combiner

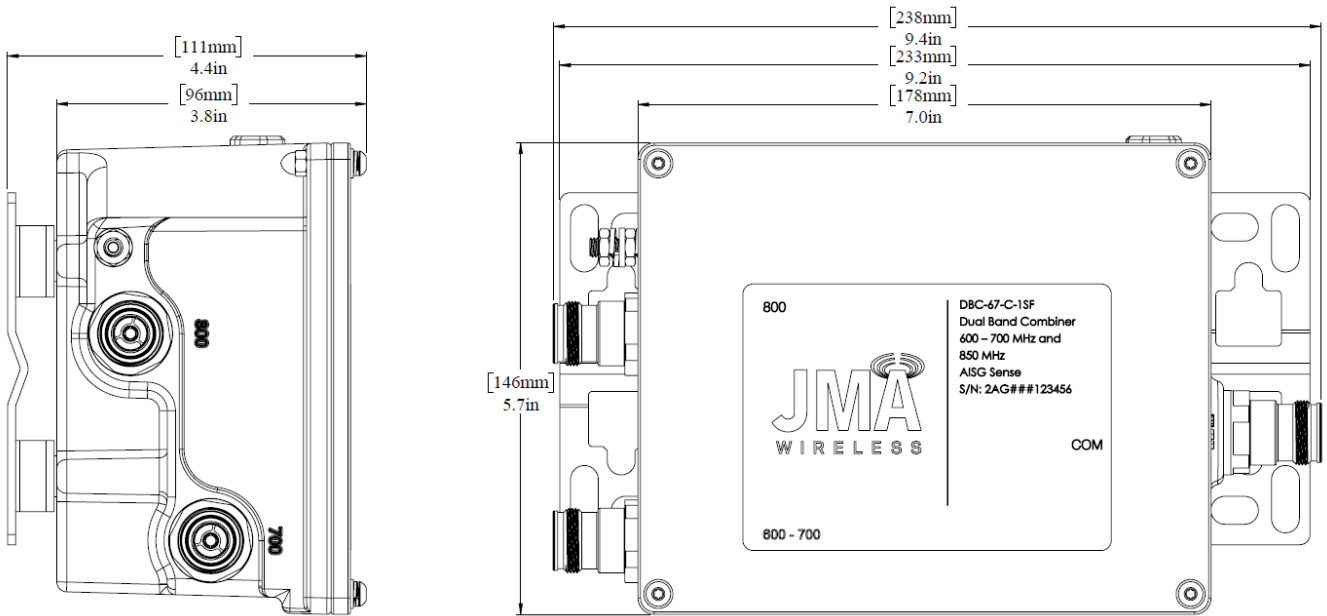
DC sense and routing specifications	
Input voltage, DCV max.	35
DC current rating amps	1.5 current limited
Compatibility AISG	1.1/2.0
Diplexer on bottom (combiner)	
DC on 600-700 or 850 band port	DC-AISG connected to COM
Both ports with DC detected	DC-AISG connected from 600–700 to COM
Diplexer on top (splitter)	
DC on COM detected	DC-AISG routed to port with an AISG device
If more than one port has an AISG device	One port is selected. See <i>Port priority</i> below
Port priority (multiple AISG devices detected)	P1: 600–700 P2: 850



DBC-67-C-1SF

NWAV™ Dual-Band Combiner

Mechanical specifications	
Connectors RF	4.3-10 (F)
Ground stud	M6 x 1 (hex nut included)
Connectors quantity	3
Dimensions, excluding brackets and connectors L x W x H mm (in.)	178 x 146 x 96 (7.0 x 5.7 x 3.8)
Weight: kg (lb)	2.8 (6.2)
Mounting	Pole/wall bracket supplied, including two metal clamps for 45-178 mm diameter poles



Ordering information	
DBC-67-C-1SF	2B Combiner, 600-700/850, DC sense, single

DBC-67-C-1SF

NWAV™ Dual-Band Combiner

RF sweep plots

