

DBC-67-C-6SF

NWAV™ Dual-Band Combiner

DBC-67-C-6SF

Dual-band combiner rack

600-700/850

DC/AISG sensing

6 units, 19-inch rack or ladder rack mount

4.3-10 connectors



- Futureproofs 700/850 duplexed sites for 600 MHz installations
- 6 combiners: flexible rack configuration, or hung on a ladder rack
- Automatic DC sense for easy installation and site evolution
- Industry-leading connector technology for lasting performance
- Compatible with JMA WPS weatherproofing solution

Electrical specification

Passband	600 - 700	850
Frequency, MHz	555 - 787	824 - 894
Insertion loss, dB avg.	0.15	
Insertion loss, dB max.	0.3	
Return loss, dB min.	22	
Isolation to other bands, dB	60	
Average input power, W max.	250	
Input peak envelope power (PEP), W max.	3000	
PIM 2x +43 dBm, dBc min.	-156	

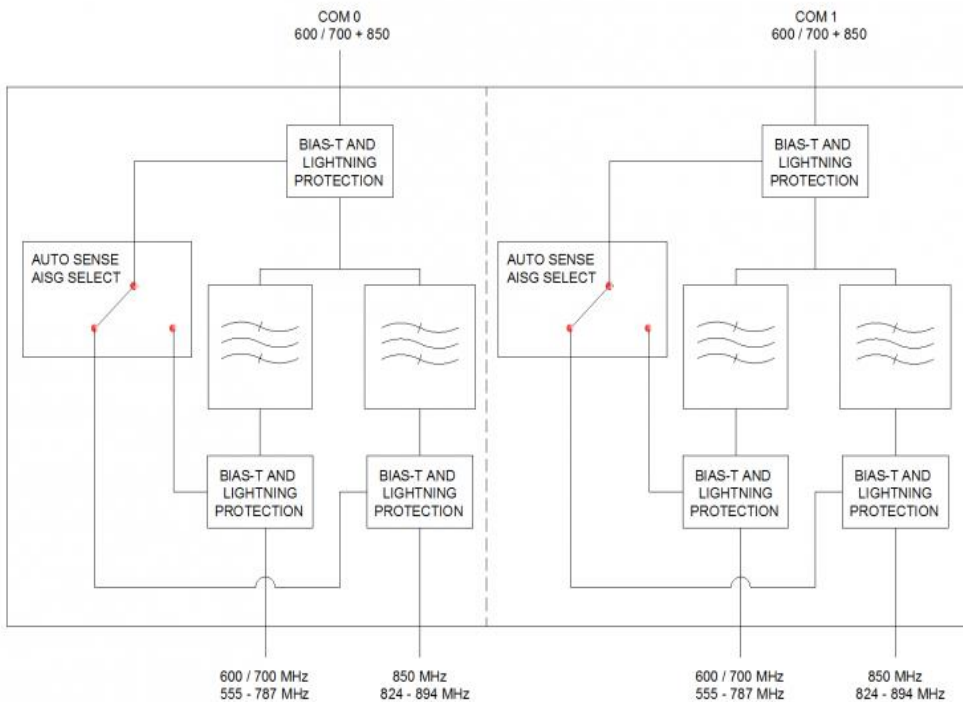
Environmental specifications

Environmental rating	ETSI EN 300 019 class 4.1, RoHS
Ingress protection	IP67, unmated
Temperature range, °C	-40 to +65
Temperature range, °F	-40 to +149
Wind force @ 200 km/h (125 mph) front/side, lbf	8.00 / 9.85
Lightning protection all ports	RF port: ±10kA max. (8/20us), IEC 61000-4-5
Altitude	3,000 m max. 10,000 ft. max.
Mean time between failures (MTBF)	>10 ⁶

DBC-67-C-6SF

NWAV™ Dual-Band Combiner

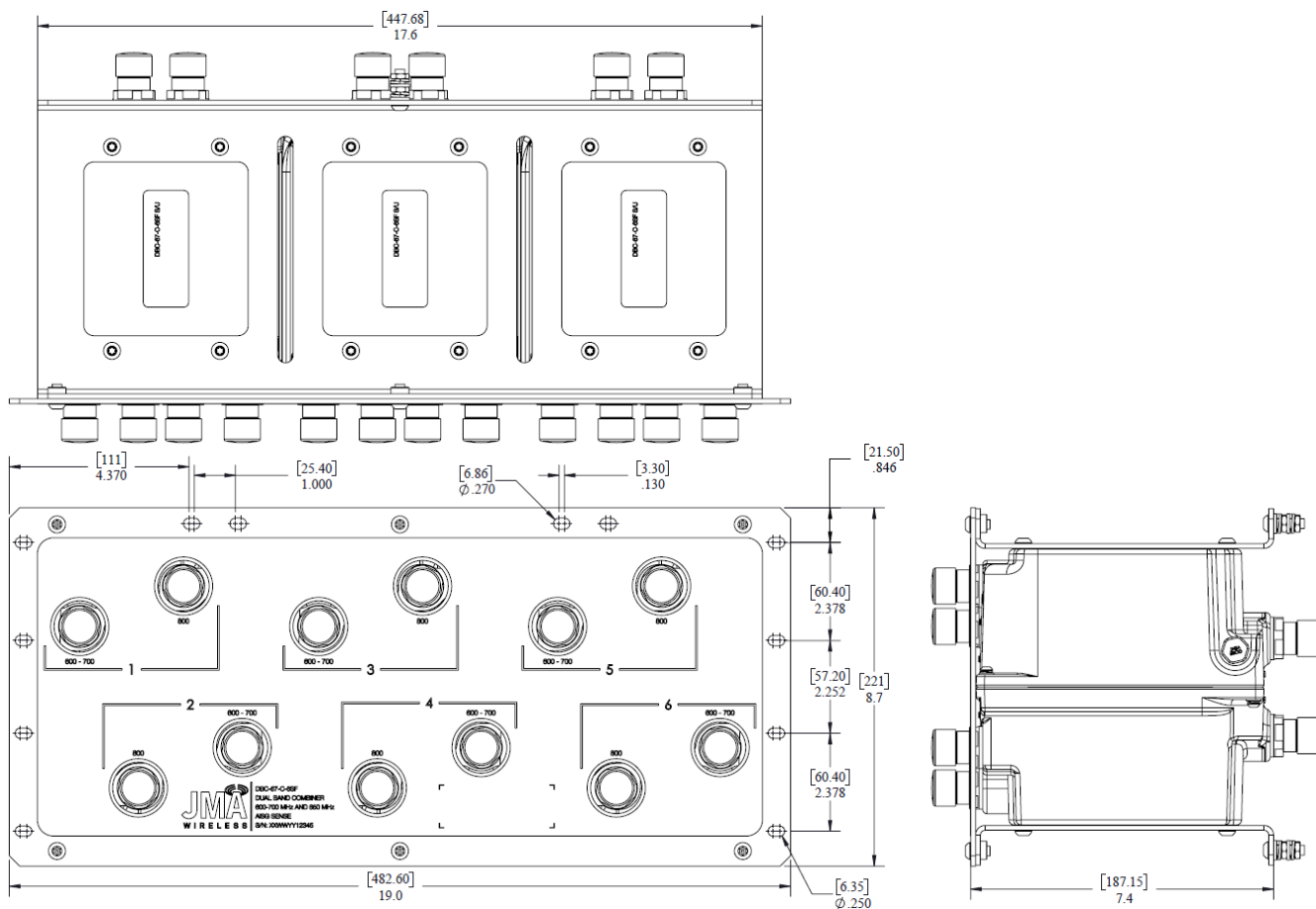
DC sense and routing specifications	
Voltage on COM detected	DC-AISG routed to port with an AISG Device
If more than one port has an AISG device	One port is selected. See <i>Port priority</i> Below
Port priority (multiple AISG devices detected)	P1: 600-700 P2: 850
Diplexer on bottom (combiner)	
Voltage detected on 600-700 or 850 band port	Connected to COM
Both ports with DC Detected	DC-AISG connected from 600-700 to COM
Diplexer on top (splitter)	
Voltage on COM detected	DC-AISG routed to port with an AISG Device
If more than one port has an AISG device	One port is selected. See <i>Port priority</i> Below
Port priority (multiple AISG devices detected)	P1: 600-700 P2: 850



DBC-67-C-6SF

NWAV™ Dual-Band Combiner

Mechanical specifications	
Connectors RF	4.3-10 (F)
Ground stud	M6 x 1 (hex nut included)
Connectors quantity	18
Dimensions, excluding brackets and connectors L x W x H mm (in.)	447.7 x 221 x 187 (17.6 x 8.7 x 7.4)
Weight: kg (lbs.)	15.2 (33.4)
Mounting	19" rack or ladder rack mount



Ordering information	
DBC-67-C-6SF	2B comb rack (6), 600-700/850

DBC-67-C-6SF

NWAV™ Dual-Band Combiner



RF sweep plots

