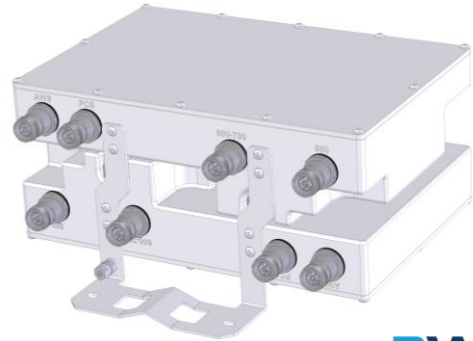


QBC-67-C-A-P-2SF

NWAV™ Quad-Band Combiner

QBC-67-C-A-P-2SF

Quad-band combiner
600-700/850/1900/AWS
DC/AISG sensing
Twin unit
4.3-10 connectors



- Very low Insertion loss and high isolation for optimized system performance
- Maximum number of integrated RF paths in a very compact and lightweight unit minimizes visual impact
- Automatic DC sense for easy installation and site evolution
- Industry-leading connector technology for lasting performance
- Compatible with JMA WPS weatherproofing solution

Electrical specification

Passband	600-700	850	1900	AWS	
Frequency, MHz	555-787	824-894	1850 - 1995	1695 - 1780 (Uplink)	2110 - 2200 (Downlink)
Insertion loss, dB avg.	0.25		0.3		
Insertion loss, dB max.	0.35		0.45		
Return loss, dB min.	22				
Isolation to other bands, dB	60				
Average input power, W max.	250	250	250	n/a	250
Input peak envelope power (PEP), W max.	3000	3000	3000	n/a	3000
PIM 2x +43 dBm, dBc min.	-156				

Environmental specifications

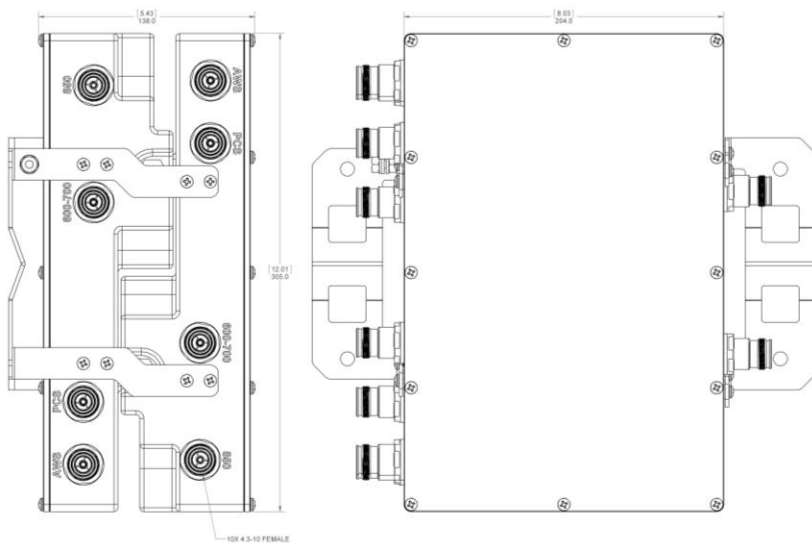
Environmental rating	ETSI EN 300 019 class 4.1, RoHS
Ingress protection	IP67, unmated
Temperature range, °C	-40 to +65
Temperature range, °F	-40 to +149
Wind force @ 200 km/h (125 mph) front/side, lbf	30 / 17
Lightning protection all ports	RF port: ±10kA max. (8/20us), IEC 61000-4-5
Altitude	3,000 m max. 10,000 ft. max.
Mean time between failures (MTBF)	>10^6

QBC-67-C-A-P-2SF

NWAV™ Quad-Band Combiner

DC sense and routing specifications	
Input voltage, DCV max.	35
DC current rating amps	1.5, current limited
Compatibility AISG	1.1/2.0
Quadplexer on bottom (combiner)	
DC on 600-700, 850, AWS, or PCS port	DC-AISG connected to COM
More than 1 port with DC detected	One port is selected. See <i>Port priority</i> below
Port priority (DC on multiple input ports)	P1 AWS, P2 600-700, P3 PCS, P4 850
Quadplexer on top (splitter)	
DC on COM detected	DC-AISG routed to port with an AISG Device
If more than one port has an AISG device	One port is selected. See <i>Port priority</i> below
Port priority (multiple AISG devices detected)	P1 AWS, P2 600-700, P3 PCS, P4 850

Mechanical specifications	
Connectors RF	4.3-10 (F)
Ground stud	M6 x 1 (hex nut included)
Connectors quantity	10
Dimensions, excluding brackets and connectors L x W x H mm (in.)	204 x 305 x 138 (8.0 x 12.0 x 5.4)
Weight: kg (lbs.)	10.5 (23.1)
Mounting	Pole/wall bracket supplied, including two metal clamps for 45-178 mm diameter poles

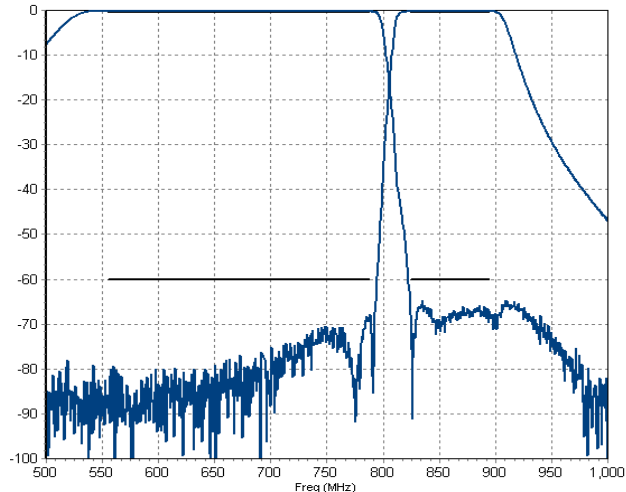


Ordering information	
QBC-67-C-A-P-2SF	4B combiner 600-700/850/AWS/PCS, DC sense, twin

QBC-67-C-A-P-2SF

NWAV™ Quad-Band Combiner

600-700 & 850 PORTS



AWS & PCS PORTS

