

TBC-67-C-U-2SF

NWAV™ Tri-Band Combiner

TBC-67-C-U-2SF

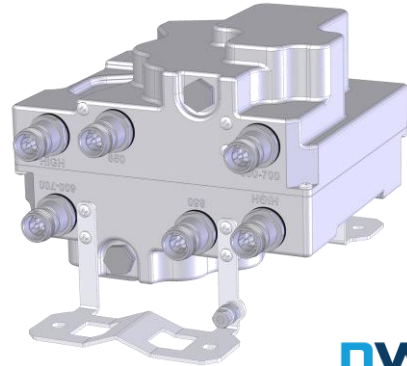
Tri-Band Combiner

600–700/850/1695–2700

DC/AISG Sensing

Twin Unit

4.3-10 Connectors



- Combines 3 wireless bands: Cellular, 600–700MHz, and any high band wireless frequencies
- Very Low Insertion loss and High isolation for optimized system performance
- Automatic DC sense for easy installation and site evolution
- Industry leading connector technology for lasting performance. Compatible with JMA WPS weatherproofing solution

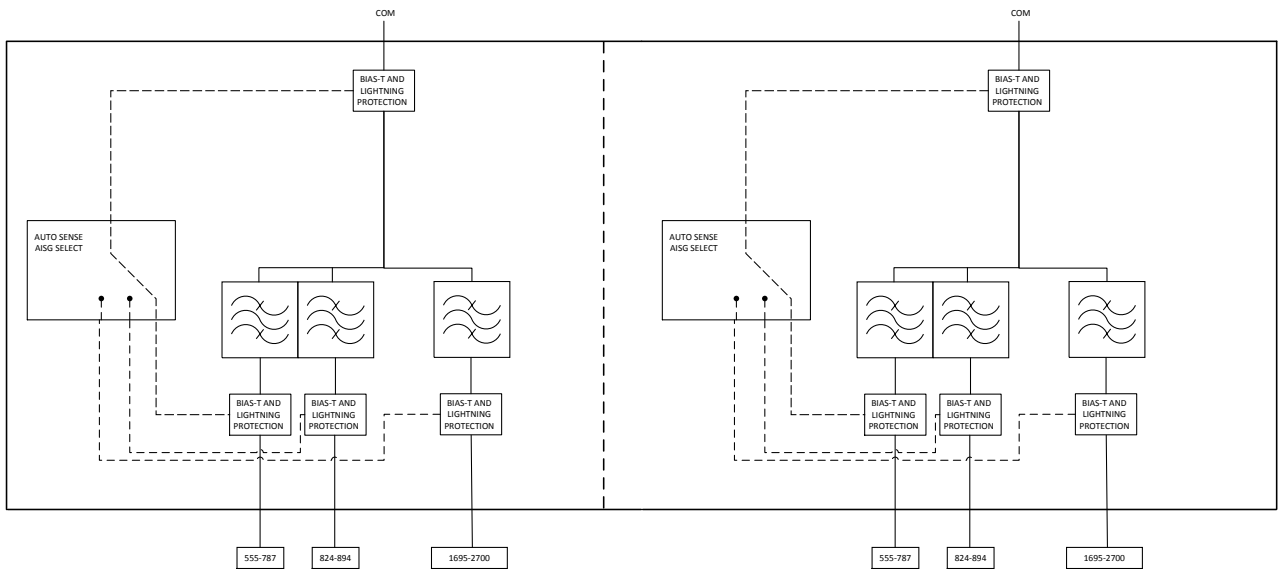
| Electrical specifications | | | | |
|-----------------------------------|---------|---------|-----------|-----------|
| Passband | 600–700 | 850 | High Band | |
| Frequency, MHz | 555–787 | 824–894 | 1695–2360 | 2360–2700 |
| Insertion loss, dB max. | 0.35 | 0.35 | 0.25 | |
| Insertion loss, dB avg. | 0.15 | 0.15 | < 0.1 | |
| Return loss, dB min. | 22 | 22 | 22 | |
| Isolation to other bands, dB min. | 60 | 60 | 65 | 40 |
| Average input power, W max. | 200 | 200 | 200 | |
| Input peak envelope power, W max. | 3000 | 3000 | 3000 | |
| PIM 2x +43 dBm, dBc min. | -156 | | | |

| Environmental specifications | |
|---|---|
| Environmental rating | ETSI EN 300 019 class 4.1, RoHS |
| Ingress protection | IP67, unmated |
| Temperature range, °C | -40 to +65 |
| Temperature range, °F | -40 to +149 |
| Wind force @ 200 km/h (125 mph) front/side, lbf | 15.8 / 7.0 |
| Lightning protection all ports | RF port: ±10 kA max. (8/20 us), IEC 61000-4-5 |
| Altitude | 3,000 m max. 10,000 ft max. |
| Mean time between failures (MTBF) | >10 ⁶ |

TBC-67-C-U-2SF

NWAV™ Tri-Band Combiner

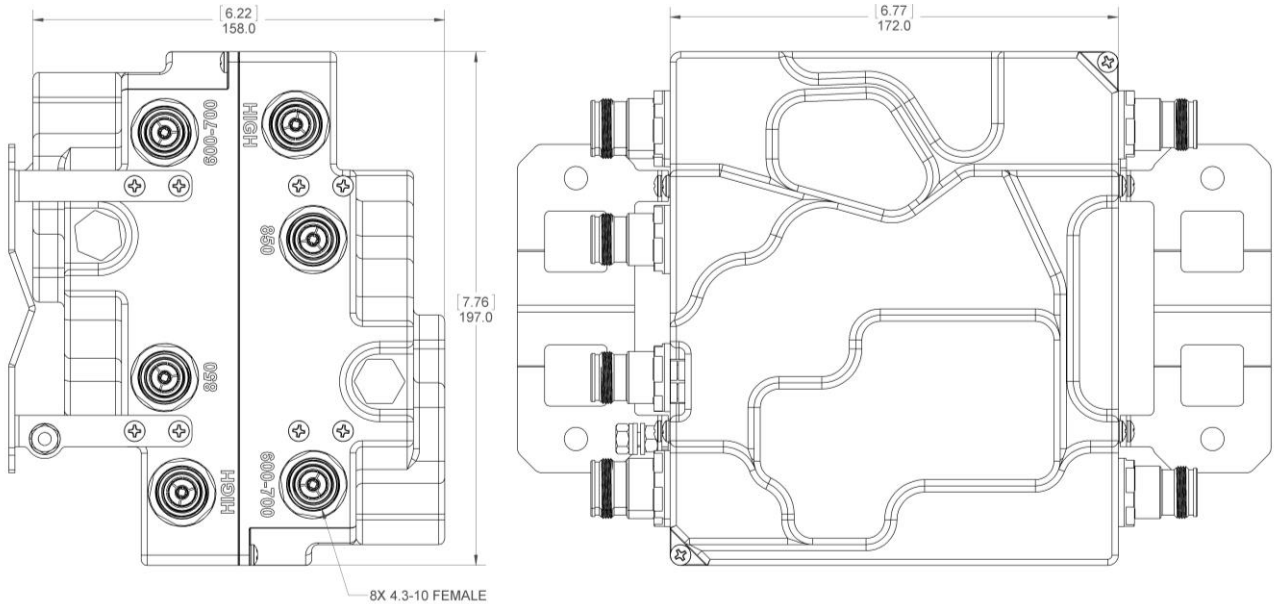
| DC sense and routing specifications | |
|--|--|
| Input voltage, DCV max. | 35 |
| DC current rating amps | 1.5, current limited |
| Compatibility AISG | 1.1/2.0 |
| Triplexer on bottom (combiner) | |
| DC on 600–700, 850, or high port | DC-AISG connected to COM |
| More than 1 port with DC detected | One port is selected. See <i>Port priority</i> below |
| Port priority (DC on multiple input ports) | P1 High, P2 600–700, P3 850 |
| Triplexer on top (splitter) | |
| DC on COM detected | DC-AISG routed to port with an AISG Device |
| If more than one port has an AISG device | One port is selected. See <i>Port priority</i> below |
| Port priority (multiple AISG devices detected) | P1 High, P2 600–700, P3 850 |



TBC-67-C-U-2SF

NWAV™ Tri-Band Combiner

| Mechanical specifications | |
|--|--|
| Connectors RF | 4.3-10 (F) |
| Ground stud | M6 x 1 (hex nut included) |
| Connector quantity | 8 |
| Dimensions excluding brackets & connectors L x W x H mm (in.) | 172 x 197 x 158 (6.77 x 7.76 x 6.22) |
| Weight, kg (lb) | 5.4 (11.9) |
| Mounting | Pole/wall bracket supplied including two metal clamps for 45–178 mm diameter poles |



| Ordering information | |
|----------------------|--------------------------------|
| TBC-67-C-U-2SF | 3B Comb 600–700/850/High, TWIN |