

TBC-67-C-U-4SF

NWAV™ Tri-Band Combiner

TBC-67-C-U-4SF

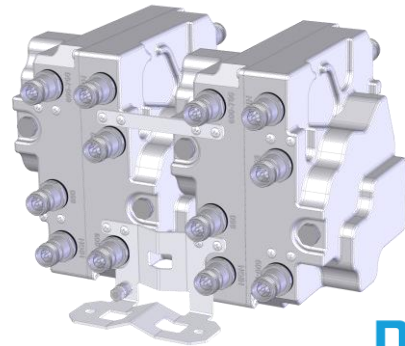
Tri-Band Combiner

600–700/850/1695–2700

DC/AISG Sensing

Quad Unit

4.3-10 Connectors



nWAV
technology

- Combines 3 wireless bands: Cellular, 600–700MHz, and any high band wireless frequencies
- Very Low Insertion loss and High isolation for optimized system performance
- Automatic DC sense for easy installation and site evolution
- Industry leading connector technology for lasting performance. Compatible with JMA WPS weatherproofing solution

Electrical specifications

Passband	600–700	850	High Band	
Frequency, MHz	555–787	824–894	1695–2360	2360–2700
Insertion loss, dB max.	0.35	0.35	0.25	
Insertion loss, dB avg.	0.15	0.15	< 0.1	
Return loss, dB min.	22	22	22	
Isolation to other bands, dB min.	60	60	65	40
Average input power, W max.	200	200	200	
Input peak envelope power, W max.	3000	3000	3000	
PIM 2x +43 dBm, dBc min.	-156			

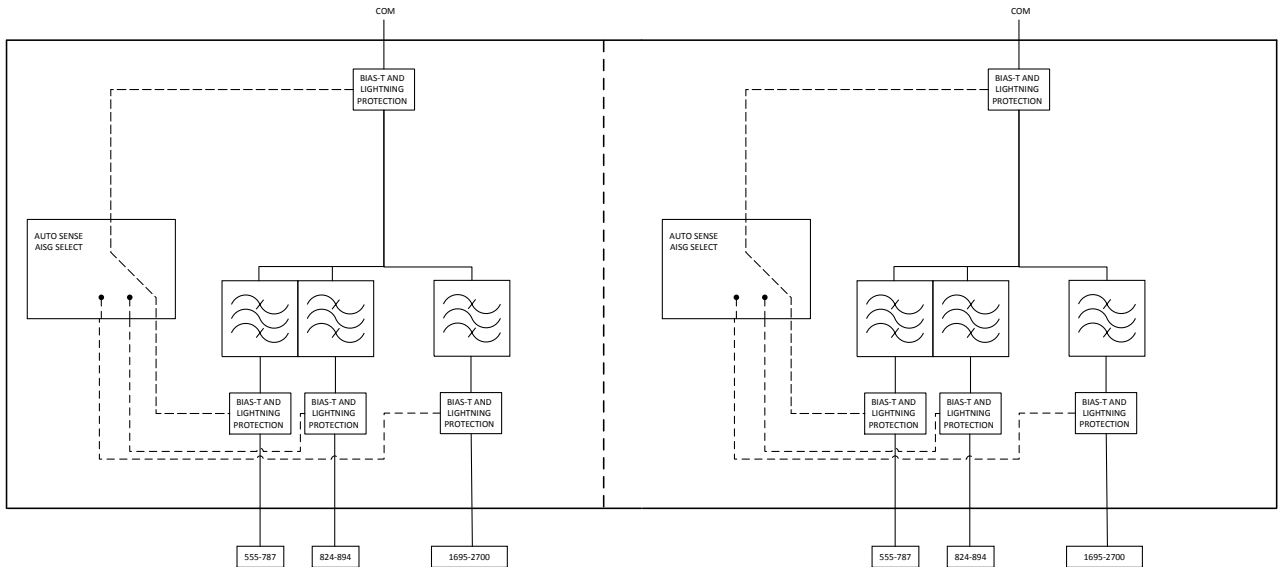
Environmental specifications

Environmental rating	ETSI EN 300 019 class 4.1, RoHS
Ingress protection	IP67, unmated
Temperature range, °C	-40 to +65
Temperature range, °F	-40 to +149
Wind force @ 200 km/h (125 mph) front/side, lbf	24.5 / 15.8
Lightning protection all ports	RF port: ±10 kA max. (8/20 us), IEC 61000-4-5
Altitude	3,000 m max. 10,000 ft max.
Mean time between failures (MTBF)	>10 ⁶

TBC-67-C-U-4SF

NWAV™ Tri-Band Combiner

DC sense and routing specifications	
Input voltage, DCV max.	35
DC current rating amps	1.5, current limited
Compatibility AISG	1.1/2.0
Triplexer on bottom (combiner)	
DC on 600–700, 850, or high port	DC-AISG connected to COM
More than 1 port with DC detected	One port is selected. See <i>Port priority</i> below
Port priority (DC on multiple input ports)	P1 High, P2 600–700, P3 850
Triplexer on top (splitter)	
DC on COM detected	DC-AISG routed to port with an AISG Device
If more than one port has an AISG device	One port is selected. See <i>Port priority</i> below
Port priority (multiple AISG devices detected)	P1 High, P2 600–700, P3 850

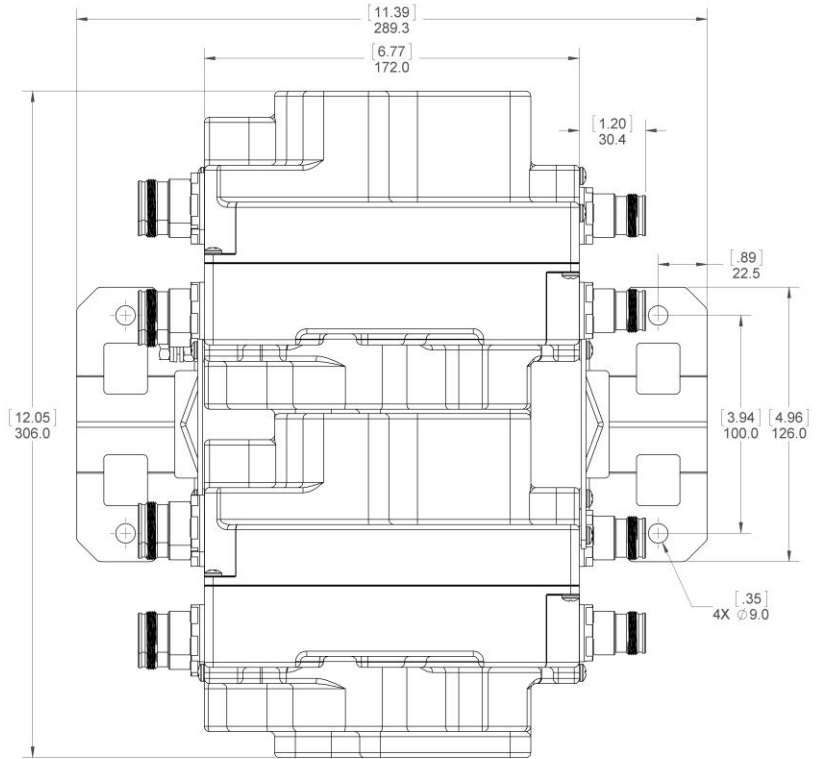
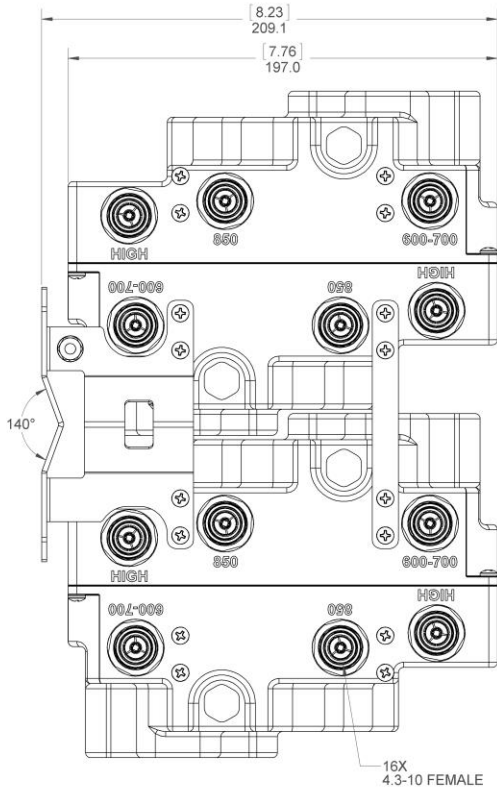


Twin unit block diagram. 2x in -4SF

TBC-67-C-U-4SF

NWAV™ Tri-Band Combiner

Mechanical specifications	
Connectors RF	4.3-10 (F)
Ground stud	M6 x 1 (hex nut included)
Connector quantity	16
Dimensions excluding brackets & connectors L x W x H mm (in.)	172 x 306 x 197 (6.77 x 12.05 x 7.76)
Weight, kg (lb)	10.9 (23.9)
Mounting	Pole/wall bracket supplied including two metal clamps for 45–178 mm diameter poles



Ordering information	
TBC-67-C-U-4SF	3B Comb 600–700/850/High, QUAD