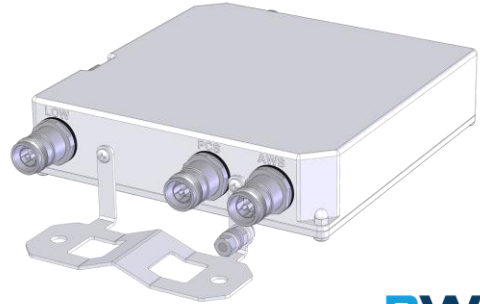


TBC-67C-A-P-1SF

NWAV™ Tri-Band Combiner

TBC-67C-A-P-1SF

Tri-band combiner
550-894/1900/AWS (AWS-3 compatible)
DC/AISG sensing
Single unit
4.3-10 connectors



- Combines 3 wireless bands: AWS, PCS1900, and all low-band wireless frequencies including 600MHz spectrum
- Very low insertion loss and high isolation for optimized system performance
- Automatic DC sense for easy installation and site evolution
- Industry-leading connector technology for lasting performance
- Compatible with JMA WPS weatherproofing solution

Electrical specification

| Passband | Low Band | 1900 Band | AWS Band | |
|---|----------|-------------|--------------------|----------------------|
| Frequency, MHz | 550-894 | 1850 - 1995 | 1695 – 1780 Uplink | 2110 – 2200 Downlink |
| Insertion loss, dB avg. | 0.20 | 0.35 | | |
| Insertion loss, dB max. | 0.15 | 0.3 | | |
| Return loss, dB min. | 22 | | | |
| Isolation to other bands, dB | 60 | | | |
| Average input power, W max. | 250 | 250 | n/a | 250 |
| Input peak envelope power (PEP), W max. | 3000 | 3000 | n/a | 3000 |
| PIM 2x +43 dBm, dBc min. | -156 | | | |

Environmental specifications

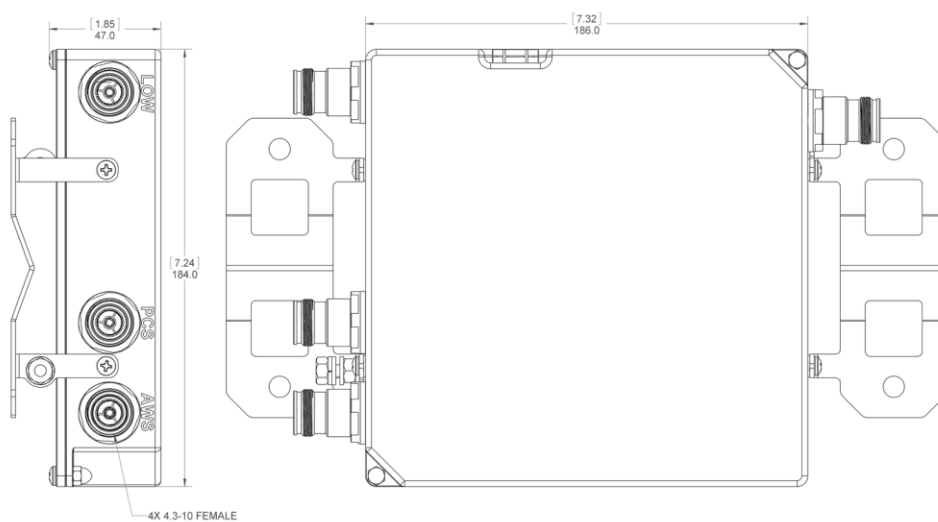
| | |
|---|---|
| Environmental rating | ETSI EN 300 019 class 4.1, RoHS |
| Ingress protection | IP67, unmated |
| Temperature range, °C | -40 to +65 |
| Temperature range, °F | -40 to +149 |
| Wind force @ 200 km/h (125 mph) front/side, lbf | 15.8 / 3.5 |
| Lightning protection all ports | RF port: ±10kA max. (8/20us), IEC 61000-4-5 |
| Altitude | 3,000 m max. 10,000 ft. max. |
| Mean time between failures (MTBF) | >10 ⁶ |

TBC-67C-A-P-1SF

NWAV™ Tri-Band Combiner

| DC sense and routing specifications | |
|--|--|
| Input voltage, DCV max. | 35 |
| DC current rating amps | 1.5, current limited |
| Compatibility AISG | 1.1/2.0 |
| Triplexer on bottom (combiner) | |
| DC on 600-700, 850, AWS, or PCS port | DC-AISG connected to COM |
| More than 1 port with DC detected | One port is selected. See <i>Port priority</i> below |
| Port priority (DC on multiple input ports) | P1 AWS, P2 600-700, P3 PCS |
| Triplexer on top (splitter) | |
| DC on COM detected | DC-AISG routed to port with an AISG Device |
| If more than one port has an AISG device | One port is selected. See <i>Port priority</i> below |
| Port priority (multiple AISG devices detected) | P1 AWS, P2 600-700, P3 PCS |

| Mechanical specifications | |
|---|---|
| Connectors RF | 4.3-10 (F) |
| Ground stud | M6 x 1 (hex nut included) |
| Connectors quantity | 4 |
| Dimensions, excluding brackets and connectors L x W x H mm (in.) | 186 x 184 x 47 (7.32 x 7.24 x 1.85) |
| Weight: kg (lbs.) | 2.6 (5.72) |
| Mounting | Pole/wall bracket supplied, including two metal clamps for 45-178 mm diameter poles |

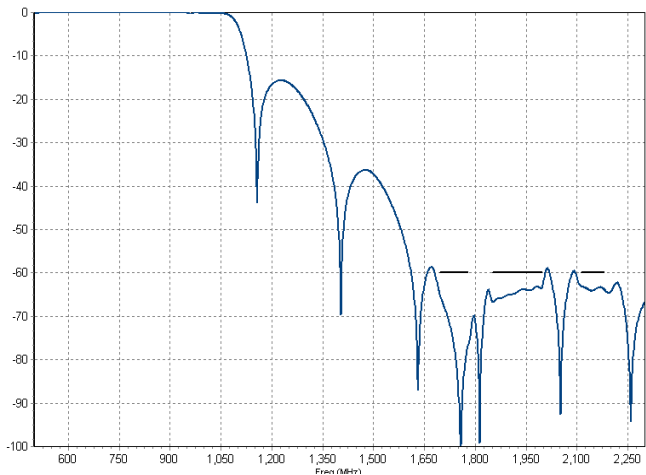


| Ordering information | |
|----------------------|---------------------------------|
| TBC-67C-A-P-1SF | 3B Comb 600-850/AWS/PCS, single |

TBC-67C-A-P-1SF

NWAV™ Tri-Band Combiner

LOW BAND PORT



AWS & PCS PORTS

