

Verderair VA 10

VA10AC



VERDERAIR

Technical data		
Weight [kg]	Acetal	2.4
	Polypropylene	2.2
Suction lift [mwc]	Dry	2.1* / 3.7
	Wet	3.7* / 6.4
Temperature [°C]	Acetal	4.5 - 65
	Polypropylene	4.5 - 65
Max. particle size [mm]		1.6
Non wetted material, centre section	Polypropylene	

* with Teflon balls

CODES VA 10 NO.2 NO.3 NO.4 NO.5

no.2 material of casing

- AC = Acetal
- PP = Polypropylene

no.3 material of seat

- AC = Acetal
- PP = Polypropylene
- SS = Stainless Steel

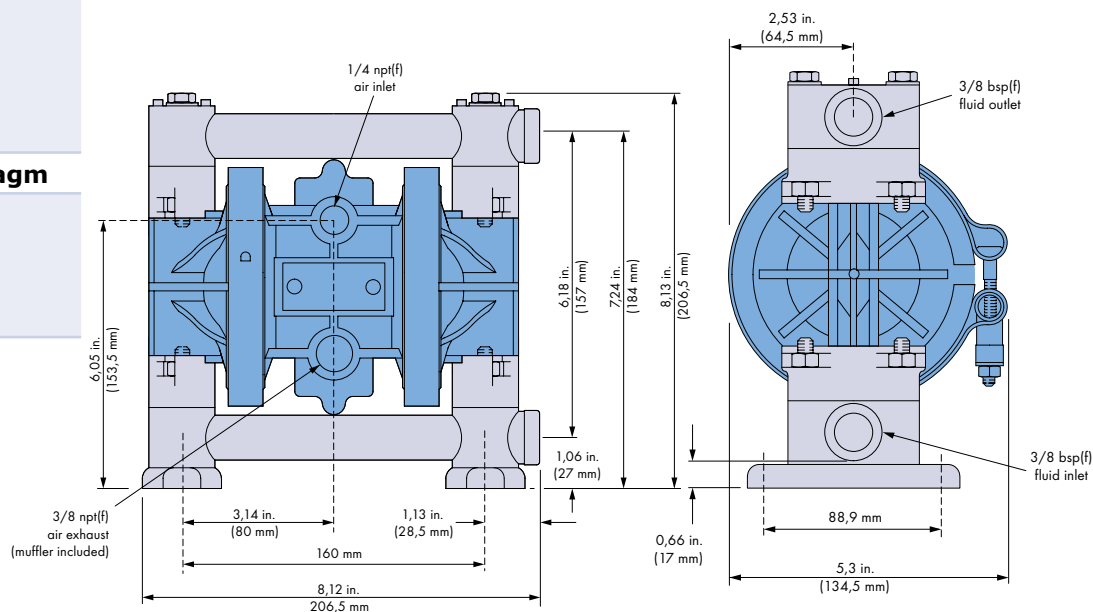
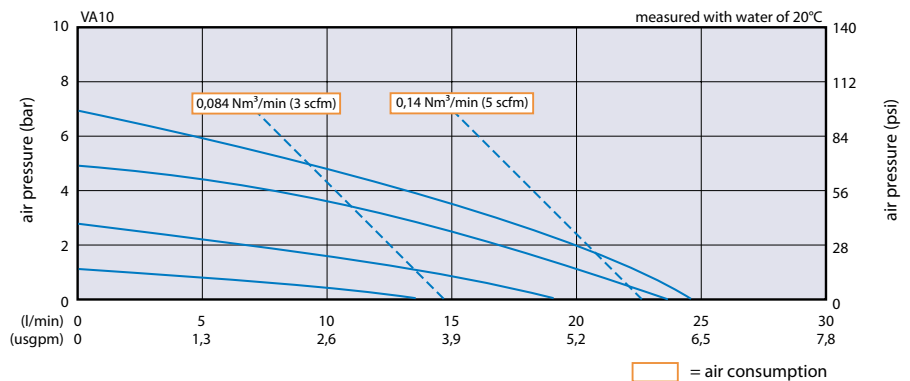
no.4 material of valve

- TF = Teflon
- HY = Hytrel
- SS = Stainless Steel
- BN = Buna N
- SP = Santoprene

no.5 material of diaphragm

- TF = Teflon
- HY = Hytrel
- BN = Buna N
- SP = Santoprene

II 2 GD c IIC T4



VA10nonmet_Techno_Rev03-2011_(uk)

Find your local supplier at www.verderair.com

VERDER
passion for pumps