

# Verderair

## VA 25 metallic

VA25A



VERDERAIR

Technical data		
Weight [kg/lbs]	Aluminium	10,5/23
	Stainless Steel with Polypropylene center	16,5/36,3
	Stainless Steel with cond. Polypropylene center	16,9/37,3
	Stainless Steel with Aluminium center	18,8/41,4
Suction lift [mwc/feet]	dry	4,9/16
	wet	8,8/29
Temperature [°C/°F]	Aluminium and Stainless Steel	4-66°C *
		40-150°F *
Max. particle size [mm/in]		3,2/1/8"

\* upto 104°C - 200°F with 2 piece PTFE diaphragms

### CODE VA25 NO.1 NO.2 NO.3 NO.4 NO.5 NO.6 NO.7 NO.8

#### no.1 Pump Material

- A = Aluminium
- S = Stainless Steel

#### no.2 Centre section / Air valve

- A01 = Aluminium
- C01 = Conductive Polypropylene
- P01 = Polypropylene
- A02 = Aluminium + leak detection
- C02 = Conductive PP + leak detection
- P02 = Polypropylene + leak detection

#### no.3 Air valve monitoring

- A = Standard
- B = Pulse Count
- D = Remote

#### no.4 Fluid covers & manifolds

- A1 = Aluminium, standard ports, NPT
- A2 = Aluminium, standard ports, BSP
- S1 = Stainless Steel, standard ports, NPT
- S2 = Stainless Steel, standard ports, BSP

#### no.5 Check valve seats

- AC = Acetal
- AL = Aluminium
- BN = Buna-N
- FK = FKM Fluorelastomer (FKM)
- GE = Geolast
- PP = Polypropylene
- PV = PVDF
- SP = Santoprene
- SS = Stainless Steel 316
- TP = TPE (Hytrel)

#### no.6 Check valve balls

- AC = Acetal
- BN = Buna-N
- CR = Polychloroprene standard (Neoprene)
- CW = Polychloroprene weighted (Neoprene)
- FK = FKM Fluorelastomer (FKM)
- GE = Geolast
- PT = PTFE
- SP = Santoprene
- SS = Stainless Steel 316
- TP = TPE (Hytrel)

#### no.7 Diaphragms

- BN = Buna-N
- CO = Polychloroprene overmolded (Neoprene)
- FK = FKM Fluorelastomer (FKM)
- GE = Geolast
- PO = PTFE/EPDM overmolded
- PT = PTFE/EPDM 2-pieces
- TP = TPE (Hytrel)
- SP = Santoprene

#### no.8 Manifold o-rings

- = none
- PT = PTFE

#### EXAMPLE PUMP TYPE

**VA25A AO1A A2 AL PT PO PT**

NOTE not all combinations are available



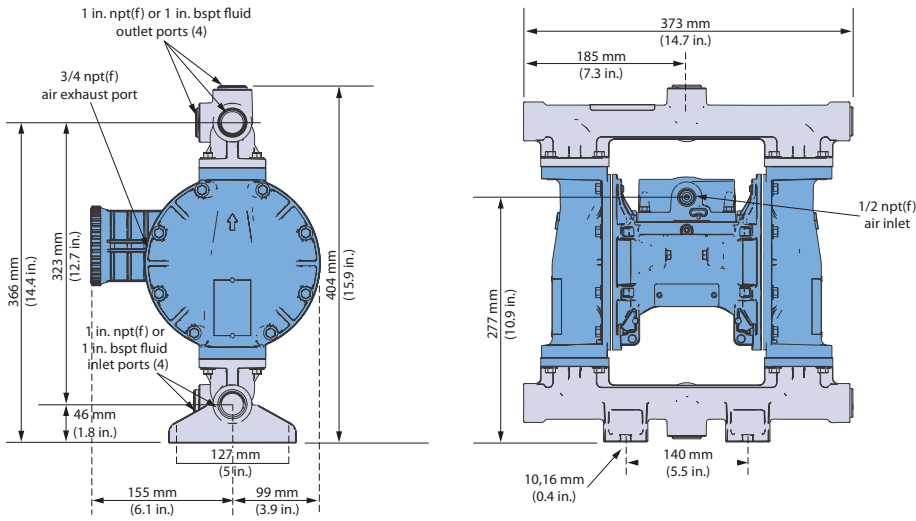
# Verderair VA 25 metallic

VA25A

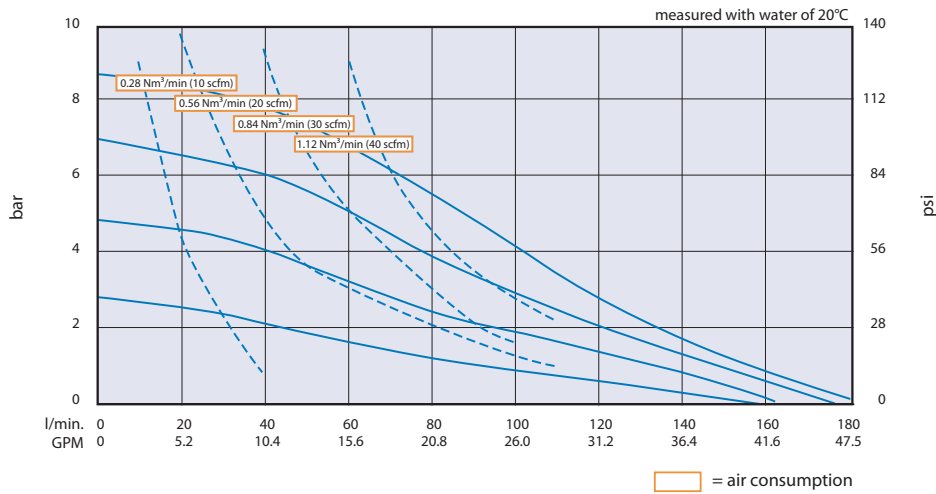
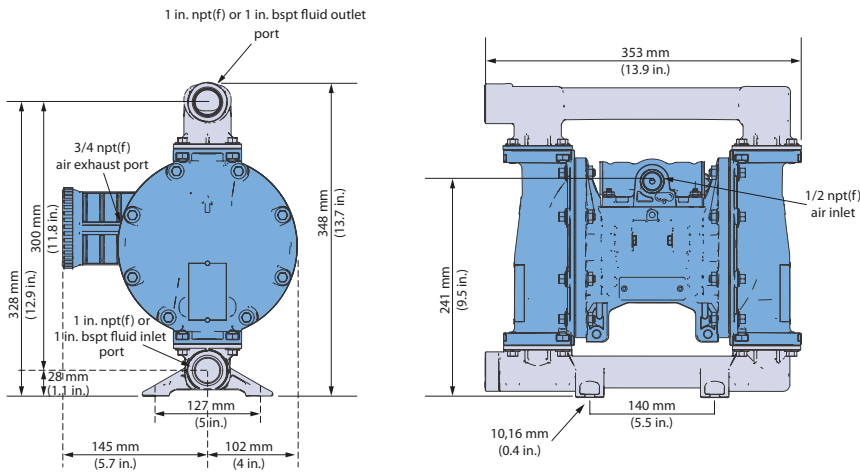


VERDERAIR

## VA 25 aluminium



## VA 25 stainless steel



VA25met\_Techno\_Rev03-2011\_(dk)

Find your local supplier at [www.verderair.com](http://www.verderair.com)

**VERDER**  
passion for pumps