

# Verderair VA 25 non-metallic



VA25P with centre flange


VERDERAIR

Technical data		
Weight [kg/lbs]	Polypropylene and conductive Polypropylene	8,2/18
	PVDF	11,8/26
Suction lift [mwc/feet]	Dry	4,9/16
	Wet	8,8/29
Temperature [°C/°F]	Polypropylene and conductive Polypropylene	4-66°C
		40-150°F
	PVDF	4-66°C *
		40-150°F *
Max. particle size [mm/in]		3,2/1/8"

\* upto 104°C - 200°F with 2 piece PTFE diaphragms

## CODE VA25 NO.1 NO.2 NO.3 NO.4 NO.5 NO.6 NO.7 NO.8

### no.1 Pump Material

 C = Conductive Polypropylene  
P = Polypropylene  
F = PVDF

### no.2 Centre section / Air valve

C01 = Conductive Polypropylene  
P01 = Polypropylene  
C02 = Conductive PP + leak detection  
P02 = Polypropylene + leak detection

### no.3 Air valve monitoring

A = Standard  
B = Pulse Count  
D = Remote

### no.4 Fluid covers & manifolds

C1 = Conductive PP, centre flange  
C2 = Conductive PP, end flange  
F1 = PVDF, centre flange  
F2 = PVDF, end flange  
P1 = Polypropylene, centre flange  
P2 = Polypropylene, end flange

### n°5 Check valve seats

AC = Acetal  
AL = Aluminium  
BN = Buna-N  
FK = FKM Fluorelastomer (FKM)  
GE = Geolast  
PP = Polypropylene  
PV = PVDF  
SP = Santoprene  
SS = Stainless Steel 316  
TP = TPE (Hytrel)

### no.6 Check valve balls

AC = Acetal  
BN = Buna-N  
CR = Polychloroprene standard (Neoprene)  
CW = Polychloroprene weighted (Neoprene)  
FK = FKM Fluorelastomer (FKM)  
GE = Geolast  
PT = PTFE  
SP = Santoprene  
SS = Stainless Steel 316  
TP = TPE (Hytrel)

### no.7 Diaphragms

BN = Buna-N  
CO = Polychloroprene overmolded (Neoprene)  
FK = FKM Fluorelastomer (FKM)  
GE = Geolast  
PO = PTFE/EPDM overmolded  
PT = PTFE/EPDM 2-pieces  
TP = TPE (Hytrel)  
SP = Santoprene

### no.8 Manifold o-rings

- = none  
PT = PTFE

EXAMPLE PUMP TYPE

**VA25P PO1A P2 PP PT PO PT**

 II 2 GD c IIC T4

NOTE not all combinations are available



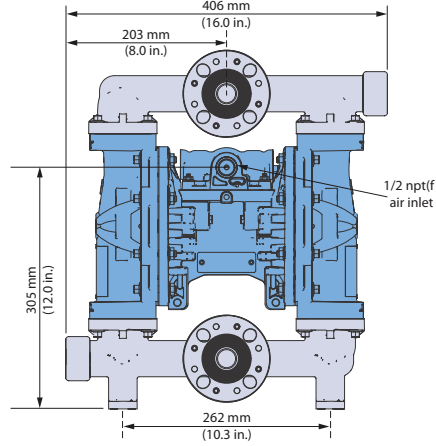
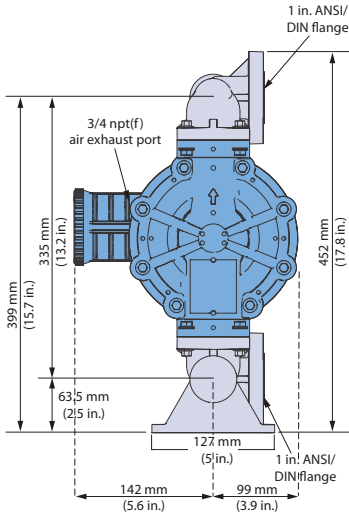
# Verderair VA 25 non-metallic



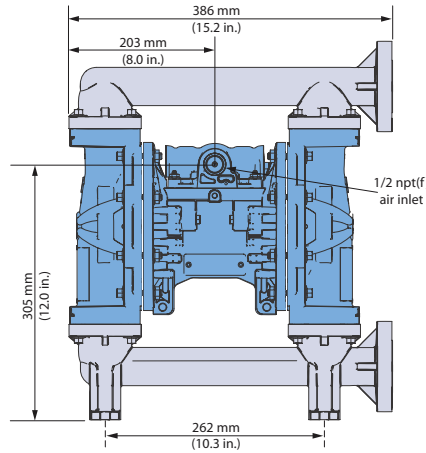
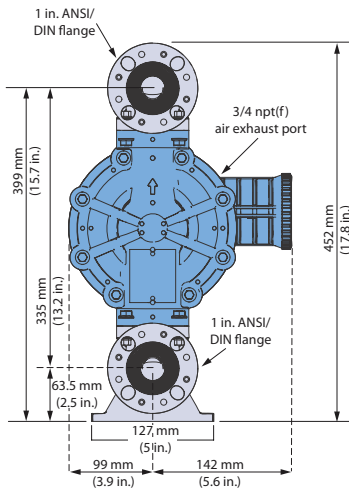
VA25P with centre flange

VERDERAIR

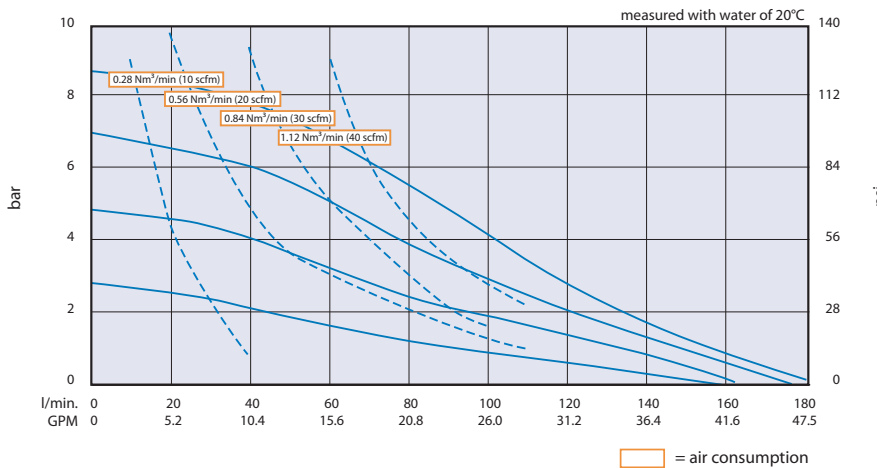
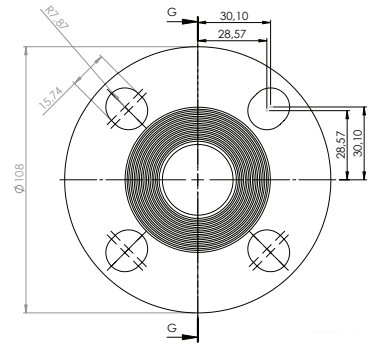
## CENTRE FLANGE



## END FLANGE



## FLANGE DIMENSION



VA25nonmet\_Techno\_Rev03-2011\_(uk)

Find your local supplier at [www.verderair.com](http://www.verderair.com)

**VERDER**  
passion for pumps