

Verderair VA 50 metallic

VA50met



VERDERAIR

Technical data		
Weight [kg]	Aluminium with Aluminium centre section	26
	Stainless Steel with Aluminium centre section	50
	Cast iron with Aluminium centre section	48
	Stainless Steel with Stainless Steel centre section	61
	Cast iron with Stainless Steel centre section	59
Suction lift [mwc]	Dry	2.1** / 3.7
	Wet	3.7** / 6.4
Temperature [°C]	Aluminium	5 - 65*
	Stainless Steel	5 - 65*
	Cast Iron	5 - 65*
Max. particle size [mm]		6.3
Non wetted material, centre section	Epoxy coated Aluminium/Stainless Steel	

* 93°C with Teflon diaphragms ** with Teflon balls

CODES VA 50 NO.2 NO.3 NO.4 NO.5

no.2 material of casing

- AL = Aluminium
- SS = Stainless Steel
- CI = Cast Iron

no.3 material of seat

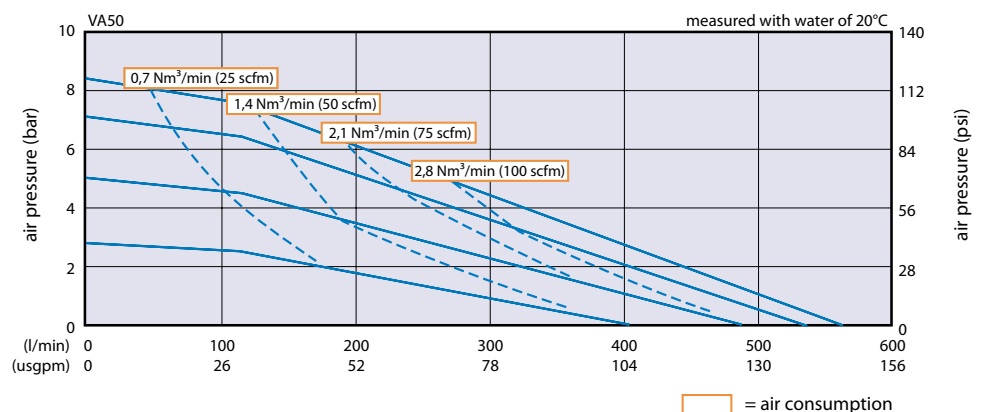
- PP = Polypropylene
- SS = Stainless Steel
- HS = Hardened Steel
- VT = Viton
- HY = Hytrel
- SP = Santoprene
- GE = Geolast
- BN = Buna N

no.4 material of valve

- TF = Teflon
- HY = Hytrel
- HS = Hardened Steel
- SP = Santoprene
- VT = Viton
- GE = Geolast
- AC = Acetal
- BN = Buna N

no.5 material of diaphragm

- TF = Teflon
- HY = Hytrel
- SP = Santoprene
- VT = Viton
- GE = Geolast
- BN = Buna N



Verderair VA 50 metallic

VA50met

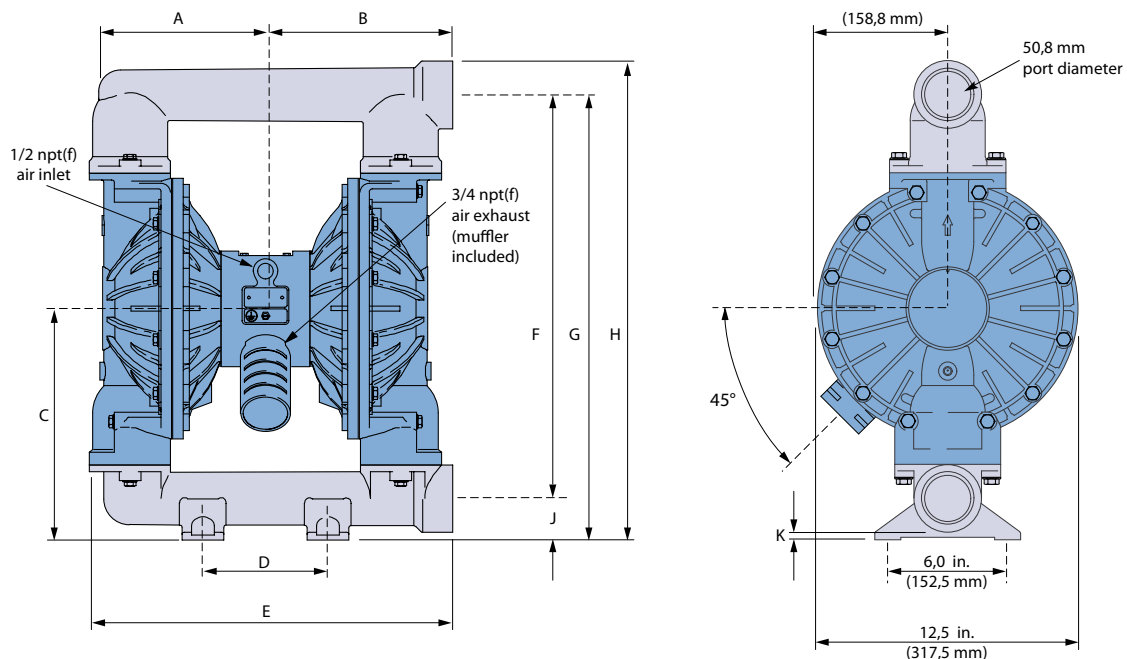


VERDERAIR

Dimensions

	Stainless Steel	Ductile Iron	Aluminium	Aluminium Extension *
A	227.7 mm	213.1 mm	213.1 mm	213.1 mm
B	239.0 mm	230.1 mm	230.1 mm	230.1 mm
C	393.7 mm	312.4 mm	312.4 mm	328.2 mm
D	165.1 mm	152.4 mm	152.4 mm	152.4 mm
E	458.9 mm	443.2 mm	443.2 mm	443.2 mm
F	565.7 mm	492.0 mm	505.5 mm	579.1 mm
G	625.8 mm	542.8 mm	556.3 mm	631.9 mm
H	668.0 mm	584.2 mm	597.7 mm	673.3 mm
J	60.2 mm	50.8 mm	50.8 mm	50.8 mm
K	24.1 mm	9.7 mm	9.7 mm	9.7 mm

* Aluminium extended pump matches the inlet to outlet dimensions of Wilden and Aro aluminium pumps.
This will help for ease of installation during upgrades.



VA50met_Techno_Rev03-2011_(dk)

Find your local supplier at www.verderair.com

VERDER
passion for pumps