

# Ophthalmic unit

IS-1 Series



## IS-1 Series

The IS-1 series is Topcon's own development and production, and is the top of the range of ophthalmic units that Topcon has to offer. The IS-1 series distinguishes itself through quality, design, configuration variety and colour options, and is therefore the high class solution for your modern practice environment.

### IS-1

The IS-1 ophthalmic unit has been designed to provide a wide range of options to meet your requirements for refraction, slit lamp and ancillary instruments. The rotatable sliding tabletop accommodates up to two instruments and is available, as standard with elevation, to make both the practitioner and patient more comfortable. The touch screen control panel allows the user to control all movements such as chair and tabletop, dimming the room light and operating the near vision LED light. The IS-1 is available in both right and left versions as well as a wheelchair accessible versions. There are no less than 10 colour combinations to choose from.



- » Two Instrument sliding tabletop, with rotation
- » Standard tabletop elevation
- » Touch screen control panel
- » Integrated cable management system
- » Small footprint
- » Right & left version available
- » Right & left wheelchair access version available
- » Various options such as LED reading light & curtain control
- » 10 colour combinations
- » Cedar and Maple wood finishes
- » PC desk option
- » Electro-brake for locking the tabletop (optional)
- » Halogen up-light dimmable room illumination

## IS-1 Series

### IS-1D

The IS-1D is especially designed to accommodate three instruments on a rotating tabletop that comes as standard with two electro-brakes controlled by a footswitch. Similar to IS-1 the tabletop can be elevated. Curtain control is standard with the IS-1D.

The IS-1D is available in right and left versions as well as a wheelchair option. The cable management system provides a clean installation of all instruments. You can choose a single trial lens drawer or a three drawers version which can optionally accommodate the power supply of the Topcon CV-5000 phoropter system. The dedicated PC-desk will complete the setup for all your needs.



- » Three instrument rotatable tabletop
- » Touch screen control panel
- » Small footprint
- » Right & left versions available
- » Powered elevation of tabletop
- » Standard electro-brake for locking the tabletop
- » Integrated cable management system
- » Right & left wheelchair access version available
- » Standard curtain control

## IS-1 Series

### IS-1P

Ophthalmology needs differ, and with this in mind Topcon has developed the IS-1P parallel unit. This unit is supplied with a powered linear sliding tabletop to accommodate two instruments. The VT-1L linear automated phoropter arm is synchronised with the elevation movement of the tabletop. The optional monitor support allows installation of a TFT monitor for user convenience. The IS-1P can also be supplied with an optional large desk to meet the requirements of a busy ophthalmic practice.



- » Two Instrument parallel sliding tabletop, with electrically driven movement
- » Right version available
- » Touch screen control panel
- » Automated linear phoropter arm VT-1L
- » Powered elevation of tabletop
- » Synchronised elevation of phoropter arm with tabletop
- » Integrated cable management system
- » Wheelchair accessible (right version)
- » Various options such as monitor support & curtain control
- » Large IS-1P PC-desk
- » OC-14 fully reclinable ophthalmic chair available

## IS-1 Series furniture

The IS-1, IS-1D and IS-1P can be supplied with optional furniture in the same colour setting as the ophthalmic unit.

### Trial lens drawer

The trial lens drawer consists of a single drawer which can be placed beside the unit or next to the chair. At the same time it is a storage platform for the IS-1 series touch screen control panel. A great solution to accommodate your trial lens set.



### Power supply drawer

The power supply drawer consists of three drawers, and can optionally accommodate the power supply unit of the Topcon CV-5000 phoropter.

### IS-1 / IS-1D PC-Desk

The PC-desk fits seamlessly to the IS-1 and IS-1D unit. The desk support is a ventilated storage compartment for the PC.



### IS-1P dedicated PC-desk

The IS-1P PC-desk is a large desk which fits exactly with the IS-1P unit. There are various setups possible, such as combinations of IS-1P drawers with trial lens drawer or with PC-storage compartment.

## IS-1 Series colours

### IS-1 series colour choices

The whole IS-1 ophthalmic unit series can be composed out of no less than 10 colour combinations. The basic colour of the unit, pole and tabletop can be modern white or dark grey.



White RAL 9001

Dark Grey RAL 7016

Five colours are available for the finishing set of the unit, the trial lens drawer, the power supply drawer, PC-compartment and the IS-1P drawers. Among these options there are two wood finishings available.



Dark Grey  
RAL 7016

Purple  
PMS 2726C

Silver Grey  
RAL 9006

Maple (wood)

Cedar (wood)

Colour images may vary from original

## IS-1 Series colours

### Colour combinations

The variety of colour combinations for the IS-1 series gives you the opportunity to fit this unit in any modern optician shop or ophthalmic practice. The Cedar and Maple wood finishing gives the unit that luxury appearance that gives your practice just that finishing touch.

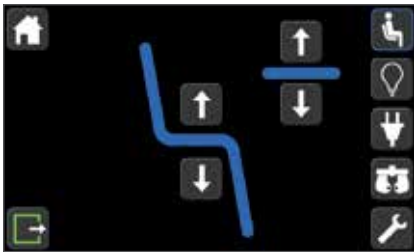


## IS-1 Series standard accessories

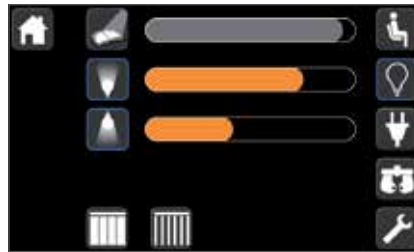
### Touch screen control panel

The IS-1 series touch screen is a satellite panel which can be placed on any flat surface of your choice. It controls various functions.

- » Chair / tabletop motion
- » Up-light & room illumination
- » Reading LED light
- » Auxiliary control
- » Linear VT-1L phoropter arm
- » Curtain control
- » Statistics
- » Settings menu



Chair and table up/down motion. Reset chair and table.



Dimming of room light and reading light by swiping the touch screen. Control of open and close of the curtains.



VT-1L phoropter control, up/down movement of the VT-1L phoropter arm.

### Safety-stop

The safety-stop provides additional safety through the activation of an auto cut-off feature when operating the elevation of the tabletop or chair. The IS-1P is supplied with an extra safety stop for the linear movement of the tabletop.



### Room illumination

The dimmable halogen up-lighter illuminates the room indirectly and can be dimmed by the touch screen control panel.



### Chinrest support

The IS-1 and IS-1P tabletop is equipped with a tabletop fixed chinrest support, but can be changed with an optional sliding chinrest support, in case you want to operate two instruments with the same chinrest.

### Cable management

The cable management system keeps the IS-1 series design smooth and contemporary. All cables of instruments installed can invisibly be guided through the tabletop cable management system.



## Wheelchair accessibility

### Wheelchair accessibility

One of the features of the IS-1 series is that the IS-1 and IS-1D are also available as wheelchair accessible ophthalmic stand in both right and left versions. The IS-1P is available in a right wheelchair accessible version. The small footprint of the standalone ophthalmic unit allows the user to easily position any wheelchair type for patients comfort during the examination.



In this configuration the ophthalmic chair such as OC- 10/12 can be moved aside with the use of its own baseplate on wheels in order to make the unit accessible for wheelchair patients.

## IS-1 series optional accessories

---



### LED near vision lamp

The adjustable LED reading lamp provides crisp white illumination which supports reading examinations.

### Potentiometer

The optional potentiometer based on the tabletop can be used for regulating illumination dimming of any instrument which does not have illumination dimming on board.



### Projector support

The dedicated IS-1 series projector support allows mounting of Topcon chart projectors.

### Monitor support

The dedicated IS-1 series monitor support allows the user to mount a TFT screen for user convenience.



## IS-1P Optional phoropter arm

### VT-80 Phoropter arm

The VT-80 phoropter arm enables mounting of most available phoropter heads. The mechanical lock ensures fixed positioning of the phoropter in front of the patient.



### VT-81 Phoropter arm

The VT-81 phoropter arm is provided with a handle for easy maneuvering of the phoropter. A spring loaded counter balance ensures positioning of the phoropter.



### VT-1L Powered linear phoropter arm

The VT-1L is a linear phoropter arm which is specially designed to accommodate the CV-5000 computerised phoropter. The cable management kit provides a clean installation. The automatic movement of the VT-1L is controlled by using the touch screen control panel.



### Up/down movement

For VT-1L an electrical up/down movement is available which can be controlled by the touch screen control panel. This up/down movement can be synchronised with the tabletop elevation.

## IS-1 series optional accessories

---

### OC-10

The OC-10 patient chair is designed to provide a comfortable seat for patients during examination. The standard arm rests are foldable and the chair can rotate by 120°. An optional footrest is available to enhance patient's comfort. The up-down stroke of the chair has increased in order to allow easy access and usage for patients.



Footrest optional

### OC-12

The OC-12 is similar to OC-10 without armrest.



Footrest optional

### OC-14

The OC-14 patient chair comes with all optional features as standard, such as full leather-look upholstery, reclinable armrest, horizontal seat displacement and a large footrest.

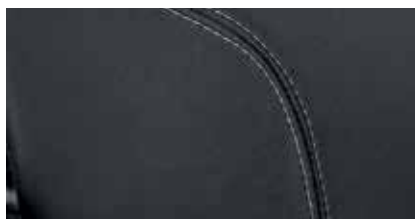


## IS-1P Optional phoropter arm

The leather look of the fabric and the double stitching in opposing colours makes the appearance of the ophthalmic OC chairs modern and professional. The armrests are made of aluminium and provide support for the patient. To complement the basic colours of the IS-1 series the OC-10 /12 and 14 are available in black and white.



Double stitching in opposing colour



Leather look



Aluminium luxury armrest

### OC-10 / 12 / 14 Optional accessories



Footrest for OC-10 / 12



OC-10 / 12 Baseplate without wheels, also available with wheels  
OC-14 Baseplate without wheels

### Forward / Backward replacement system for OC-10/12/14

The optional Forward / Backward replacement system for the ophthalmic chair allows the user to move the chair back and forward with a stroke of 160mm. This automated movement can be operated individually through the IS-1 touch screen control panel but is also synchronised with the automated movement of the VT-1L phoropter arm and the elevation of the tabletop. With one press on the button of the control panel all positions are reset .

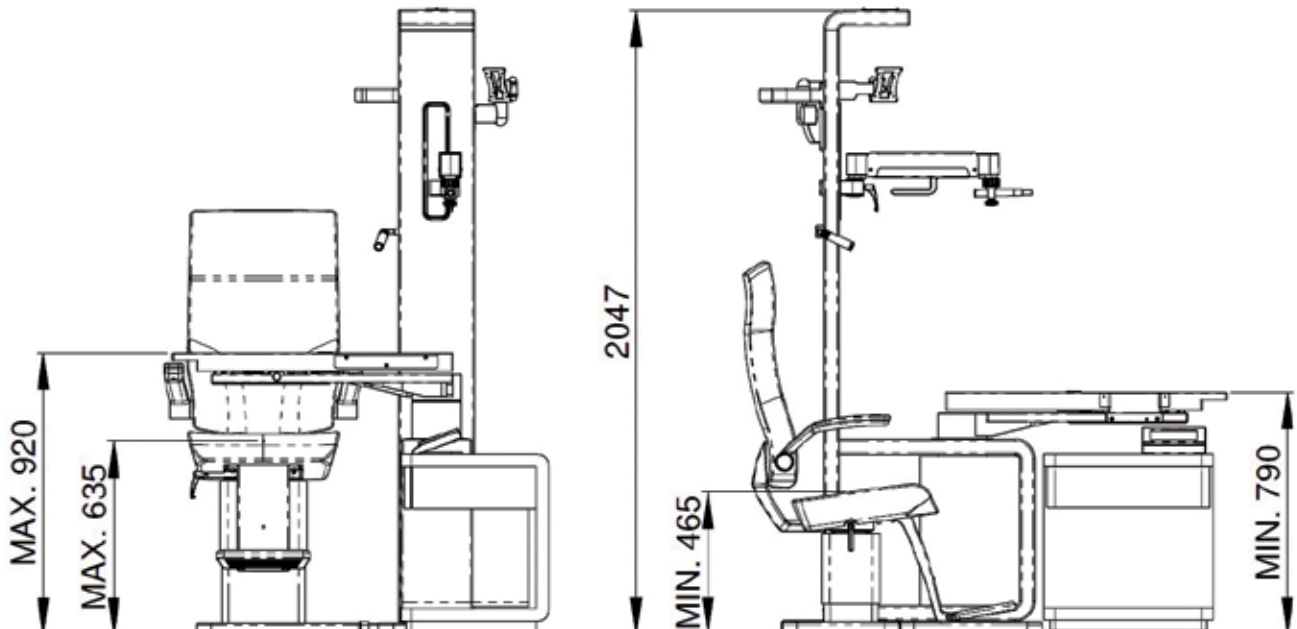


# IS-1 series Specifications

## OC specifications

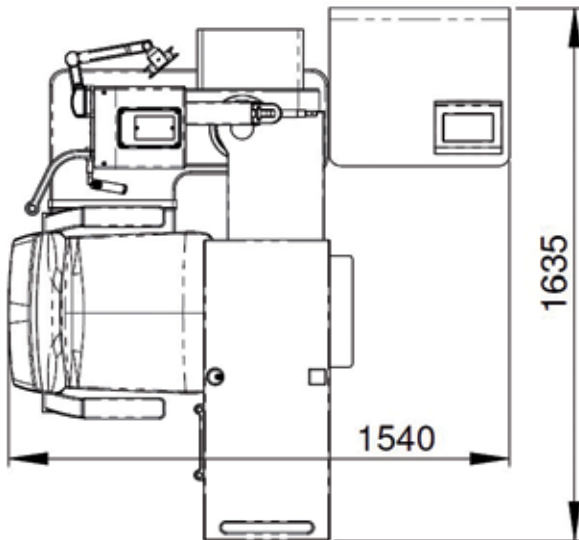
	OC-10	OC-12	OC-14
Reclining (Full)		No	Yes
Rotation		120°	76°
Foldable armrests	Yes	No	Yes
Horizontal seat displacement		optional	standard
Seat: max. / min. height in mm		465-636	490-660
Footrest		optional	standard
Base plate		possible	
Base plate with wheels		possible	not possible
Maximum load		175 Kg	
Net weight	39 Kg	37Kg	54 Kg
Max. power consumption		450W	700W
Power	230 V AC/50-60 Hz		
Electrical classification	Class I, Type B		

## IS-1 & IS-1D dimensions

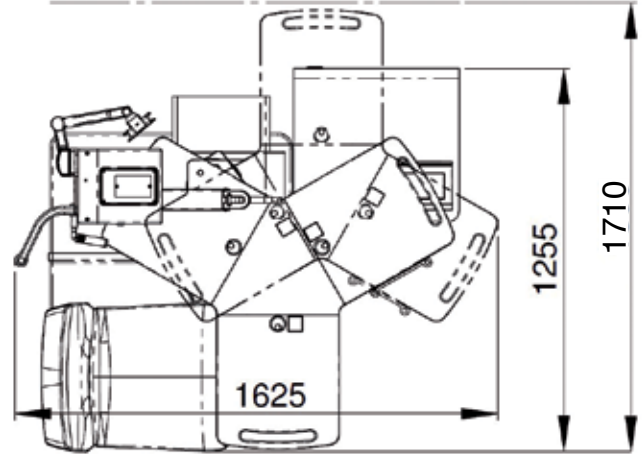


## IS-1 series Specifications

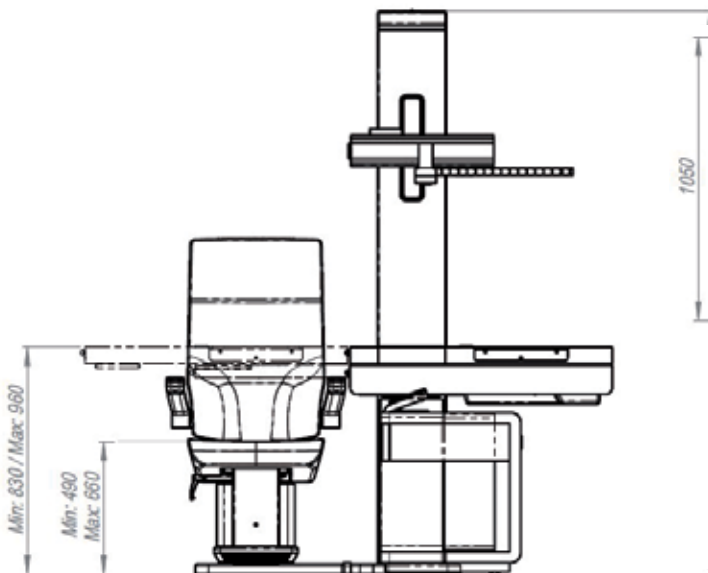
### IS-1 footprint



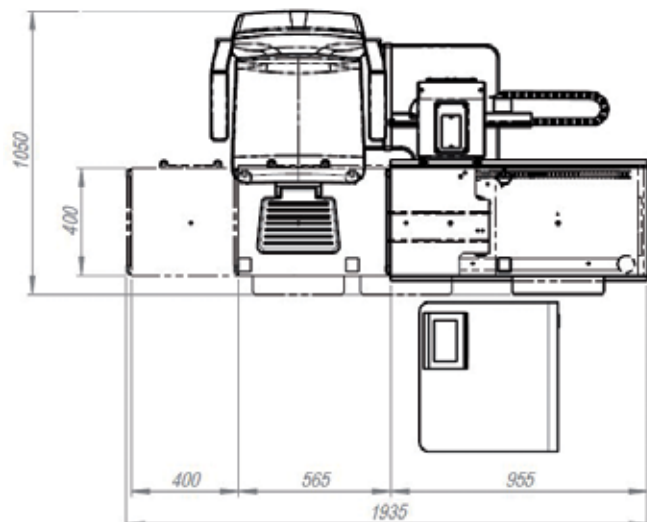
### IS-1D footprint



### IS-1P dimensions



### IS-1P footprint



## Specifications

	IS-1	IS-1D	IS-1P
<b>Tabletop</b>	2 instruments	3 instruments	2 instruments
<b>Maximum load on tabletop</b>	40 Kg		
<b>Touch screen control panel</b>	Yes		
<b>Power on tabletop</b>	0-12V / 5A or 15V / 5A		
<b>Power near vision lamp</b>	3W LED		
<b>Power of Room illumination</b>	0-240V / Max. 100W		
<b>Safety stop</b>	Yes		
<b>Minimum installation dimensions</b>	1540 x 1635 mm	1625 x 1500 mm	1540 x 1935 mm
<b>Stroke elevated tabletop</b>	790 – 920 mm		830 x 960 mm
<b>Trial lens drawer dimensions</b>	560 (w) x 483 (d) x 590 (h) mm		
<b>Trial lens drawer dimensions (inside)</b>	460 (w) x 350 (d) x 70 (h) mm		
<b>PC-desk IS1/1D dimensions</b>	1400 (w) x 600 (d) x 740 (h) mm		
<b>PC-desk IS-1P dimensions</b>	1800 (w) x 845/600 (d) x 740 (h) mm		
<b>Total power supply</b>	220-240V / 50-60 Hz		
<b>Maximum power consumption</b>	1,000 W		
<b>Free of potential contacts</b>	Max 240 V / 5A		
<b>Electrical classification</b>	Class I, Type B		
<b>Electric protection degree</b>	IP21		
<b>Electronic soft start system</b>	Yes		
<b>Net weight</b>	192 Kg	196 Kg	195 Kg



### IMPORTANT

Subject to change in design and/or specifications without advanced notice.  
In order to obtain the best results with this instrument, please be sure to review all user instructions prior to operation.  
Medical device Class I. Manufacturer: Antoni Carles, S.A.



**AUS** 1800 806 006  
customers@device.com.au  
www.device.com.au

**NZ** 0508 DEVICE (338 423)  
customers@device.co.nz  
www.device.co.nz