

GUA Outlet Bodies, EYS Sealing Fittings and Unions

Stainless steel explosionproof fittings for the most demanding environmental conditions





Stainless Steel Fittings

The ultimate in corrosion resistance and durability

Eaton's Crouse-Hinds series of stainless steel fittings deliver power where you need it, saving you time and money throughout the life of your facility.

Superior resistance to corrosion and heat, combined with unmatched strength, make stainless steel fittings a long-term solution for even the most extreme environments.

Eaton's Crouse-Hinds series stainless steel fittings are manufactured using high grade 316 stainless steel. Even in the most caustic environments, they are virtually immune to rust, corrosion and discoloration, greatly lowering cost of ownership through maintenance reduction.

The fittings are even self-healing. If scratched, the chromium in the stainless steel will combine with oxygen to reseal its protective layer and maintain its corrosion protection properties.

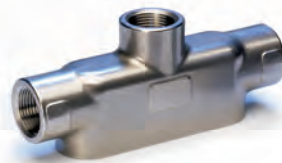
This long life, low maintenance solution is ideal for:

- Corrosive environments
- Food and beverage manufacturing
- Pharmaceutical manufacturing
- Healthcare facilities
- Wastewater treatment plants
- Marine applications
- Mining applications

Stainless steel GUA, EYS and unions join a comprehensive line of superior stainless steel fittings



Stainless Steel Liquidtight
Liquidtight stainless steel fittings are used in tough, industrial applications. These stainless steel liquidtight fittings are made of strong, corrosion-resistant stainless steel for long, dependable service where superior corrosion resistance and/or strength is required.



Stainless Steel Conduit Outlet Bodies and Covers
Stainless steel conduit outlet bodies and covers are used in the harshest environments. They provide superior strength and durability from the leader in conduit outlet bodies.



Stainless Steel Nipples
Stainless steel nipples are designed for use with stainless threaded rigid conduit. These are polished to a bright finish for increased corrosion resistance and improved appearance.



Stainless Steel Myers™ Hubs
The original stainless steel Myers hub is ideal for environmentally demanding applications.



Stainless Steel Conduit
Stainless steel threaded conduit polished to a bright finish to further increase corrosion resistance and provide enhanced aesthetic appearance.



Stainless Steel Device Boxes and Covers
Superior resistance to corrosion and heat, combined with unmatched strength, make stainless steel device boxes a long-term solution for even the most extreme environments.



Stainless Steel VXF Junction Boxes
The VXF junction box is designed to provide long, dependable service in the most demanding environmental conditions. With four drilled and tapped conduit entries and pendant or flat blank cover, the box provides versatility for mounting luminaires or terminating or splicing electrical circuits.



Large offering of Stainless Steel Conduit Fittings
The full line of Crouse-Hinds series stainless steel fittings provide superior resistance to corrosion and heat, making them a long term solution for even the most extreme conditions.

EYS Stainless Steel Conduit Sealing Fittings

Applications:

EYS Sealing Fittings:

- Restrict the passage of gases, vapors or flames from one portion of the electrical installation to another at atmospheric pressure and normal ambient temperatures
- Limit explosions to the sealed off enclosure
- Limit pressure "piling" in conduit systems

Sealing fittings are required:

- At each entrance to an enclosure housing an arcing or sparking device when used in Class I, Division 1 and 2 hazardous locations, to be located as close as possible and, in no case, more than 18" from the enclosure
- At each conduit entrance of 2" size or larger to an enclosure or fitting housing terminals, splices or taps when used in Class I, Division 1 hazardous location, to be located as close as possible and, in no case, more than 18" from such enclosures
- In conduit systems when leaving Class I, Division 1 or Division 2 hazardous locations
- In cable systems when the cables either do not have a gas/vaportight continuous sheath or are capable of transmitting gases or vapors through the cable core when those cables leave the Class I, Division 1 or Division 2 hazardous locations

Features:

EYS Sealing Fittings include:

- Minimum turning radius
- Large openings with threaded closures to provide easy access to conduit hubs for making dams
- Integral bushings in conduit hubs to protect conductor insulation from damage
- Taper tapped hubs to ensure ground continuity

EYS Sealing Fittings are available for installation in both horizontal or vertical positions.

Stainless Steel Benefits:

EYS Sealing Fittings have:

- Self-healing properties help reduce the penetration of rust/corrosion and eliminate damage to the fitting
- Retain strength in extreme heat and extreme cold conditions
- Surface is easy to maintain and keep clean
- Easy cleaning capabilities make these fittings perfect for food processing and other hygienic areas where wash downs are common
- Superior strength and durability greatly reduce replacement – this will lower your total cost of ownership and increase your return on investment
- Do not require harsh environment-damaging cleaners to keep them looking like new

Standard Material:

- Bodies and plugs – 316 stainless steel

Standard Finish:

- Passivated

Size Ranges:

- 3/4" and 1"



Certifications & Compliances:

- NEC/CEC:
Class I, Divisions 1 & 2, Groups A, B, C, D
Class II, Division 1, Groups E, F, G
Class III

Ordering Information:

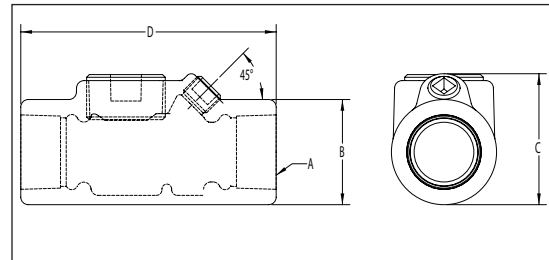
For Sealing in Vertical or Horizontal Positions

Hub Size	Female Hub Cat. #
3/4	EYS21 SS
1	EYS31 SS

See page 7 for stainless steel RDU reducers and conduit nipples

Dimensions

In Inches:



Hub Size	A	B	C	D
3/4	0.75	1.50	1.95	3.63
1	1.00	1.75	2.20	4.25

UNY & UNF Stainless Steel Unions

Applications:

UNY and UNF Unions are installed in threaded thick wall conduit systems:

- UNY – to connect conduit to a conduit fitting, junction box or device enclosure
- UNF – to connect conduit to conduit, or to provide a means for future modification of the conduit system

Features:

UNY and UNF Unions have:

- Compact design which permits assembly with a minimum of clearance to other adjacent conduit and/or equipment
- Strong and durable construction

Stainless Steel Benefits:

UNY and UNF Unions have:

- Self-healing properties help reduce the penetration of rust/corrosion and eliminate damage to the fitting
- Retain strength in extreme heat and extreme cold conditions
- Surface is easy to maintain and keep clean
- Easy cleaning capabilities make these fittings perfect for food processing and other hygienic areas where wash downs are common
- Superior strength and durability greatly reduce replacement – this will lower your total cost of ownership and increase your return on investment
- Do not require harsh environment-damaging cleaners to keep them looking like new

Certifications & Compliances:

- NEC/CEC:
 - Class I, Divisions 1 & 2, Groups A, B, C, D
 - Class II, Division 1, Groups E, F, G
 - Class II, Division 2, Groups F, G
 - Class III
- UL Standard: 1203
- CSA Standard: C22.2 No. 30

Standard Material:

- 316 stainless steel

Standard Finish:

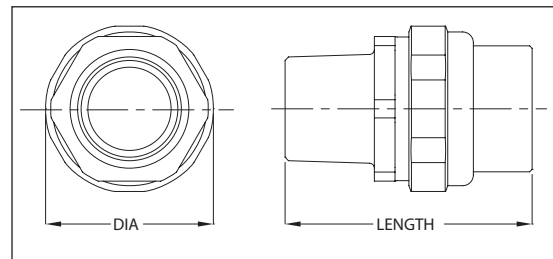
- Passivated



Ordering Information:

Size	UNY Cat. #	Size	UNF Cat. #
1/2	UNY105 SS	1/2	UNF105 SS
1/2 female to 3/4 male	UNY215 SS	1/2 to 3/4	UNF215 SS
3/4	UNY205 SS	3/4	UNF205 SS
1	UNY305 SS	1	UNF305 SS

Dimensions In Inches:



Hub Size	UNY		UNF	
	Length	Max. Dia.	Length	Max. Dia
1/2	2-15/32	1-1/2	1-5/8	1-1/2
3/4 - 1/2	2-5/8	1-7/8	1-7/8	1-7/8
3/4	2-5/8	1-25/32	1-29/32	1-25/32
1	3	2-1/32	2-3/32	2-1/32



GUA Stainless Steel Conduit Outlet Boxes

Applications:

GUA Conduit Outlet Boxes are installed within hazardous area conduit systems to:

- Protect conductors in threaded rigid conduit
- Act as pull and splice boxes
- Connect lengths of conduit
- Change conduit direction
- Provide access to conductors for maintenance and future system changes

Features:

GUA Conduit Boxes have:

- Neoprene o-ring standard to meet NEMA 4X requirements
- Cast ears on cover to permit easy removal and tightening
- Internal green ground screw #10
- Threaded cover openings
- Five different hub arrangements
- Taper threaded hubs to provide grounding continuity
- Smooth integral hub bushing protects conductor insulation when pulling
- Surface covers furnished with boxes
- Cover threads are 12 pitch

Benefits of Stainless Steel:

- Self-healing properties help reduce the penetration of rust/corrosion and eliminate damage to the fitting
- Retain strength in extreme heat and extreme cold conditions
- Surface is easy to maintain and keep clean
- Easy cleaning capabilities make these fittings perfect for food processing and other hygienic areas where wash downs are common
- Superior strength and durability greatly reduce replacement – this will lower your total cost of ownership and increase your return on investment
- Do not require harsh environment-damaging cleaners to keep them looking like new



Certifications & Compliances:

- NEC/CEC:
 - Class I, Divisions 1 & 2, Groups C, D
 - Class II, Division 1, Groups E, F, G
 - Class II, Division 2, Groups F, G
 - Class III
- UL Standard: 1203
- ANSI Standard: C33.27
- CSA Standard: C22.2 No. 30
- NEMA/EEMAC 3, 4X

Standard Materials:

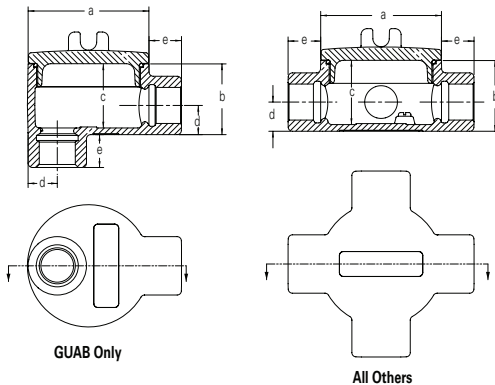
- Bodies and covers – 316 stainless steel

Ordering Information:

Size	Cover Opening Dia.	GUAC Series	GUAL Series	GUAT Series	GUAX Series	GUAB Series
3/4	3	GUAC26 SS	GUAL26 SS	GUAT26 SS	GUAX26 SS	GUAB26 SS
1	3	GUAC36 SS	GUAL36 SS	GUAT36 SS	GUAX36 SS	GUAB36 SS

See page 7 for stainless steel RDU reducers and conduit nipples

Dimensions (In Inches):



Cat. #	a	b	c	d	e
GUAC26 SS	3.60	2.11	1.93	0.66	0.78
GUAC36 SS	3.60	2.11	1.93	0.88	0.97
GUAL26 SS	3.60	2.11	1.93	0.66	0.78
GUAL36 SS	3.60	2.11	1.93	0.88	0.97
GUAT26 SS	3.60	2.11	1.93	0.66	0.78
GUAT36 SS	3.60	2.11	1.93	0.88	0.97
GUAX26 SS	3.60	2.11	1.93	0.66	0.78
GUAX36 SS	3.60	2.11	1.93	0.88	0.97
GUAB26 SS	3.60	2.11	1.93	0.66	0.78
GUAB36 SS	3.60	2.11	1.93	0.88	0.97

**U.S. (global headquarters):
Eaton's Crouse-Hinds Division**

1201 Wolf Street
Syracuse, NY 13208

(866) 764-5454
FAX: (315) 477-5179
FAX Orders Only:
(866) 653-0640

crousecustomerctr@eaton.com

For more information:

If further assistance is required, please contact an authorized Eaton Distributor, Sales Office, or Customer Service Department.

Canada

Toll Free: 800-265-0502
FAX: (800) 263-9504
FAX Orders only: (866) 653-0645

Mexico/Latin America/Caribbean

52-555-804-4000
FAX: 52-555-804-4020
ventascentromex@eaton.com

Europe (Germany)

49 (0) 6271 806-500
49 (0) 6271 806-476
sales.CCH.de@cooperindustries.com

Middle East

971 4 8066100
FAX: 971 4 8894813
chmesales@eaton.com

Singapore

65-6645-9888
FAX: 65-6297-4819
chsi-sales@cooperindustries.com

China

86-21-2899-3600
FAX: 86-21-2899-4055
cchsales@cooperindustries.com

Korea

82-2-3484-6783
82-2-3484-6778
CCHK-sales@cooperindustries.com

Australia

61-2-8787-2777
FAX: 61-2-9609-2342
CEASales@cooperindustries.com

India

91-124-4683888
FAX: 91-124-4683899
cchindia@eaton.com

Eaton
1000 Eaton Boulevard
Cleveland, OH 44122
United States
Eaton.com

© 2016 Eaton
All Rights Reserved
Printed in USA
Publication No. 5272-0416
April 2016

Eaton is a registered trademark.

All other trademarks are property of their respective owners.