

MILD STEEL SEQUESTR EXTERNAL DISCONNECT PACKAGE, TYPE 12



INDUSTRY STANDARDS

UL 508A Listed; Type 12; File No. E61997 cUL Listed per CSA C22.2 No. 94; Type 12; File No. E61997

NEMA/EEMAC Type 12
 CSA File No. 42186: Type 12
 IEC 60529, IP55

APPLICATION

The SEQUESTR External Disconnect Enclosure Package helps mitigate arc flash occurrences when working on interior components by isolating incoming power from the main enclosure. Shipped as one unit for new installations, the disconnect switch and fuse block/circuit breaker are mounted in the external enclosure, with terminal connections to bring power to the main enclosure. The package includes a main enclosure and a SEQUESTR enclosure. The SEQUESTR enclosure can be ordered separately to retrofit in existing A28 and A34 main enclosure bulletins.

SPECIFICATIONS

- A28 main enclosure, .121-in. steel (11 gauge)
- A70D SEQUESTR external disconnect enclosure, .060-in. steel
- Seams continuously welded and ground smooth
- External formed body flange channels away liquids
- Heavy duty lifting eyes anchored into reinforced top
- Removable centerposts for easy back panel installation
- No disconnect cutout on main control cabinet
- Interlocks doors of main control enclosure when disconnect switch is powered ON
- Mechanical interlock on main control enclosure activated by master door prevents slave door from being opened first
- Provision for pass-through power into the main enclosure
- Preferred disconnect cutout
- Quarter-turn, slotted latches on SEQUESTR Enclosure
- Rugged POWERGLIDE Handle with three-point latch on main control enclosure

- Concealed, easy-to-remove hinges
- Grounding studs on body
- Bonding provision on door
- Conductive back panel included in SEQUESTR External Disconnect Enclosure
- Optional back panel for main control cabinet for maximum ordering flexibility
- SEQUESTR External Disconnect Enclosure is shipped unattached for easy disconnect installation
- Oil-resistant gasket

FINISH

- SEQUESTR External Disconnect Enclosure ANSI 61 gray polyester powder paint inside and out
- Two finishes are available for A28 main enclosure: ANSI 61 gray polyester powder paint outside and inside, or ANSI 61 gray polyester powder paint outside and white inside
- SEQUESTR External Disconnect Enclosure panel has conductive finish

ACCESSORIES

Panels for Type 3R, 4, 4X, 12 and 12 Enclosure
 Operator Adapters for Universal Cutouts
 PANELITE Enclosure Lights
 Floor Stand Kit
 SPECTRACOOOL Indoor/Outdoor
 HF Side-Mount Filter Fans
 Steel, Stainless Steel and Non-Metallic Window Kits
 Electric Heaters
 HOL-SEALERS Hole Seats
 INTERSAFE Data Interface Ports, Type 4/4X/12

BULLETIN: A28X1, A28X2, A28XM, A70D

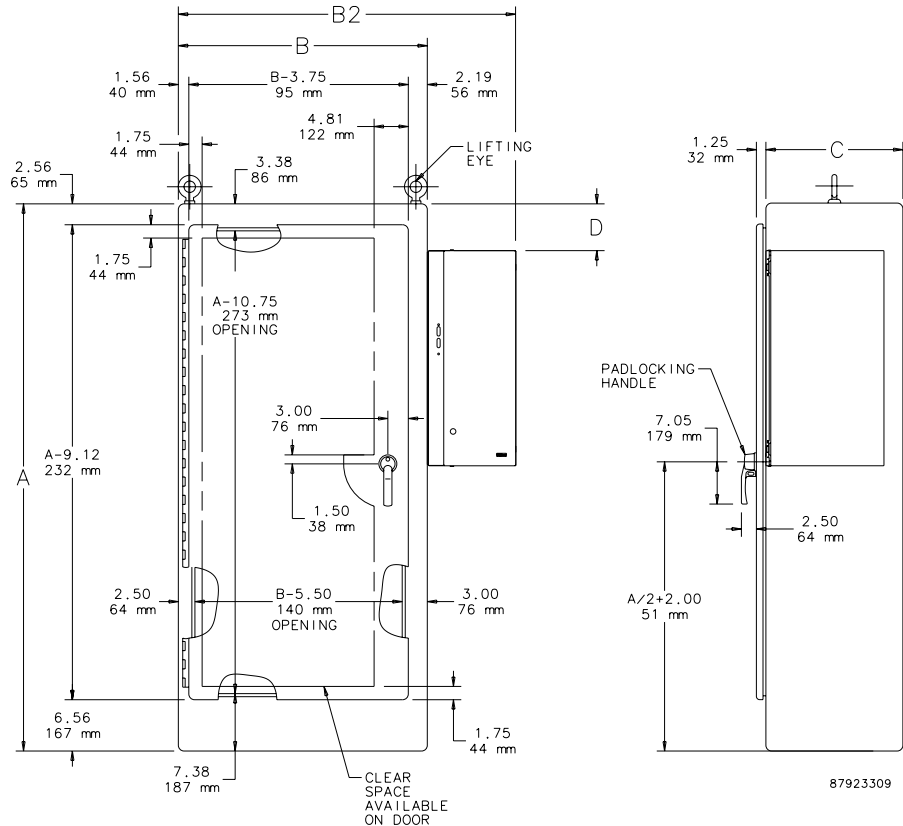
Standard Product **One-Door Enclosure**

Catalog Number	AxBxC in./mm	Interior Finish	B2 in./mm	D in./mm	Panel	Panel Size in./mm
A72XD2818FTCLPG	72.12 x 28.25 x 18.12 1832 x 718 x 460	Gray	42.25 1073	0 0	A72PM28	60.00 x 21.75 1524 x 552
A72XD2818FTCLP	72.12 x 28.25 x 18.12 1832 x 718 x 460	White	42.25 1073	0 0	A72PM28	60.00 x 21.75 1524 x 552
A72XD3418FTCLPG	72.12 x 34.25 x 18.12 1832 x 870 x 460	Gray	48.25 1226	0 0	A72PM34	60.00 x 27.75 1524 x 705
A72XD3418FTCLP	72.12 x 34.25 x 18.12 1832 x 870 x 460	White	48.25 1226	0 0	A72PM34	60.00 x 27.75 1524 x 705
A72XD4018FTCLPG	72.12 x 40.25 x 18.12 1832 x 1022 x 460	Gray	54.25 1378	0 0	A72PM40	60.00 x 33.75 1524 x 857
A72XD4018FTCLP	72.12 x 40.25 x 18.12 1832 x 1022 x 460	White	54.25 1378	0 0	A72PM40	60.00 x 33.75 1524 x 857
A84XD4018FTCLPG	84.12 x 40.25 x 18.12 2137 x 1022 x 460	Gray	54.25 1378	6.00 152	A84PM40	72.00 x 33.75 1829 x 857
A84XD4018FTCLP	84.12 x 40.25 x 18.12 2137 x 1022 x 460	White	54.25 1378	6.00 152	A84PM40	72.00 x 33.75 1829 x 857
A90XD4018FTCLPG	90.12 x 40.25 x 18.12 2289 x 1022 x 460	Gray	54.25 1378	9.00 229	A90PM40	72.00 x 33.75 1981 x 857
A90XD4018FTCLP	90.12 x 40.25 x 18.12 2289 x 1022 x 460	White	54.25 1378	9.00 229	A90PM40	78.00 x 33.75 1981 x 857
A90XD4020FTCLPG	90.12 x 40.25 x 20.12 2289 x 1022 x 511	Gray	54.25 1378	9.00 229	A90PM40	72.00 x 33.75 1981 x 857
A90XD4020FTCLP	90.12 x 40.25 x 20.12 2289 x 1022 x 511	White	54.25 1378	9.00 229	A90PM40	78.00 x 33.75 1981 x 857
A84XD4024FTCLPG	84.12 x 40.25 x 24.12 2137 x 1022 x 613	Gray	54.25 1378	6.00 152	A84PM40	72.00 x 33.75 1981 x 857
A84XD4024FTCLP	84.12 x 40.25 x 24.12 2137 x 1022 x 613	White	54.25 1378	6.00 152	A84PM40	72.00 x 33.75 1829 x 857
A90XD4024FTCLPG	90.12 x 40.25 x 24.12 2289 x 1022 x 613	Gray	54.25 1378	9.00 229	A90PM40	72.00 x 33.75 1981 x 857
A90XD4024FTCLP	90.12 x 40.25 x 24.12 2289 x 1022 x 613	White	54.25 1378	9.00 229	A90PM40	78.00 x 33.75 1981 x 857

B dimension is large enclosure without External Disconnect Enclosure.

B2 dimension is overall size including External Disconnect Enclosure.

Purchase panels separately.



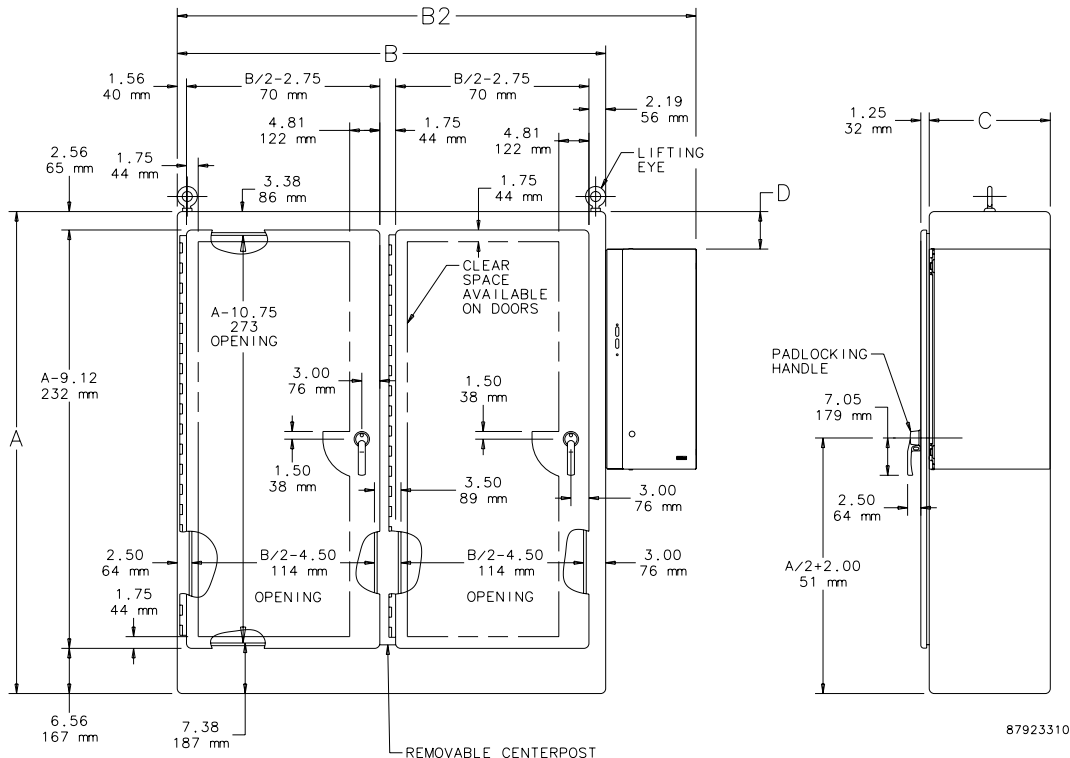
Standard Product **Two-Door Enclosures**

Catalog Number	AxBxC in./mm	Interior Finish	B2 in./mm	D in./mm	Stiffener Locations in./mm	Panel	Panel Size in./mm
A72XD5418FTCLPG	72.12 x 54.50 x 18.12 1832 x 1384 x 460	Gray	68.50 1740	0 0	None None	A72PM54	60.00 x 48.00 1524 x 1219
A72XD5418FTCLP	72.12 x 54.50 x 18.12 1832 x 1384 x 460	White	68.50 1740	0 0	None None	A72PM54	60.00 x 48.00 1524 x 1219
A72XD6618FTCLPG	72.12 x 66.50 x 18.12 1832 x 1689 x 460	Gray	80.50 2045	0 0	21.00 533	A72PM66	60.00 x 60.00 1524 x 1524
A72XD6618FTCLP	72.12 x 66.50 x 18.12 1832 x 1689 x 460	White	80.50 2045	0 0	21.00 533	A72PM66	60.00 x 60.00 1524 x 1524
A72XD7818FTCLPG	72.12 x 78.50 x 18.12 1832 x 1994 x 460	Gray	92.50 2350	0 0	24.00 610	A72PM78	60.00 x 72.00 1524 x 1829
A72XD7818FTCLP	72.12 x 78.50 x 18.12 1832 x 1994 x 460	White	92.50 2350	0 0	24.00 610	A72PM78	60.00 x 72.00 1524 x 1829
A84XD7818FTCLPG	84.12 x 78.50 x 18.12 2137 x 1994 x 460	Gray	92.50 2350	6.00 152	24.00 910	A84PM78	72.00 x 72.00 1829 x 1829
A84XD7818FTCLP	84.12 x 78.50 x 18.12 2137 x 1994 x 460	White	92.50 2350	6.00 152	24.00 910	A84PM78	72.00 x 72.00 1829 x 1829
A90XD7818FTCLPG	90.12 x 78.50 x 18.12 2289 x 1994 x 460	Gray	92.50 2350	9.00 229	24.00 610	A90PM78	78.00 x 72.00 1981 x 1829
A90XD7818FTCLP	90.12 x 78.50 x 18.12 2289 x 1994 x 460	White	92.50 2350	9.00 229	24.00 610	A90PM78	78.00 x 72.00 1981 x 1829
A90XD7820FTCLPG	90.12 x 78.50 x 20.12 2289 x 1994 x 511	Gray	92.50 2350	9.00 229	24.00 610	A90PM78	78.00 x 72.00 1981 x 1829
A90XD7820FTCLP	90.12 x 78.50 x 20.12 2289 x 1994 x 511	White	92.50 2350	9.00 229	24.00 610	A90PM78	78.00 x 72.00 1981 x 1829
A72XD7824FTCLPG	72.12 x 78.50 x 24.12 1832 x 1994 x 613	Gray	92.50 2350	0 0	24.00 610	A72PM78	60.00 x 72.00 1524 x 1829
A72XD7824FTCLP	72.12 x 78.50 x 24.12 1832 x 1994 x 613	White	92.50 2350	0 0	24.00 610	A72PM78	60.00 x 72.00 1524 x 1829
A84XD7824FTCLPG	84.12 x 78.50 x 24.12 2137 x 1994 x 613	Gray	92.50 2350	6.00 152	24.00 610	A84PM78	72.00 x 72.00 1829 x 1829
A84XD7824FTCLP	84.12 x 78.50 x 24.12 2137 x 1994 x 613	White	92.50 2350	6.00 152	24.00 610	A84PM78	72.00 x 72.00 1829 x 1829
A90XD7824FTCLPG	90.12 x 78.50 x 24.12 2289 x 1994 x 613	Gray	92.50 2350	9.00 229	24.00 610	A90PM78	78.00 x 72.00 1981 x 1829
A90XD7824FTCLP	90.12 x 78.50 x 24.12 2289 x 1994 x 613	White	92.50 2350	9.00 229	24.00 610	A90PM78	78.00 x 72.00 1981 x 1829

B dimension is large enclosure without External Disconnect Enclosure.

B2 dimension is overall size including External Disconnect Enclosure.

Purchase panels separately.



87923310

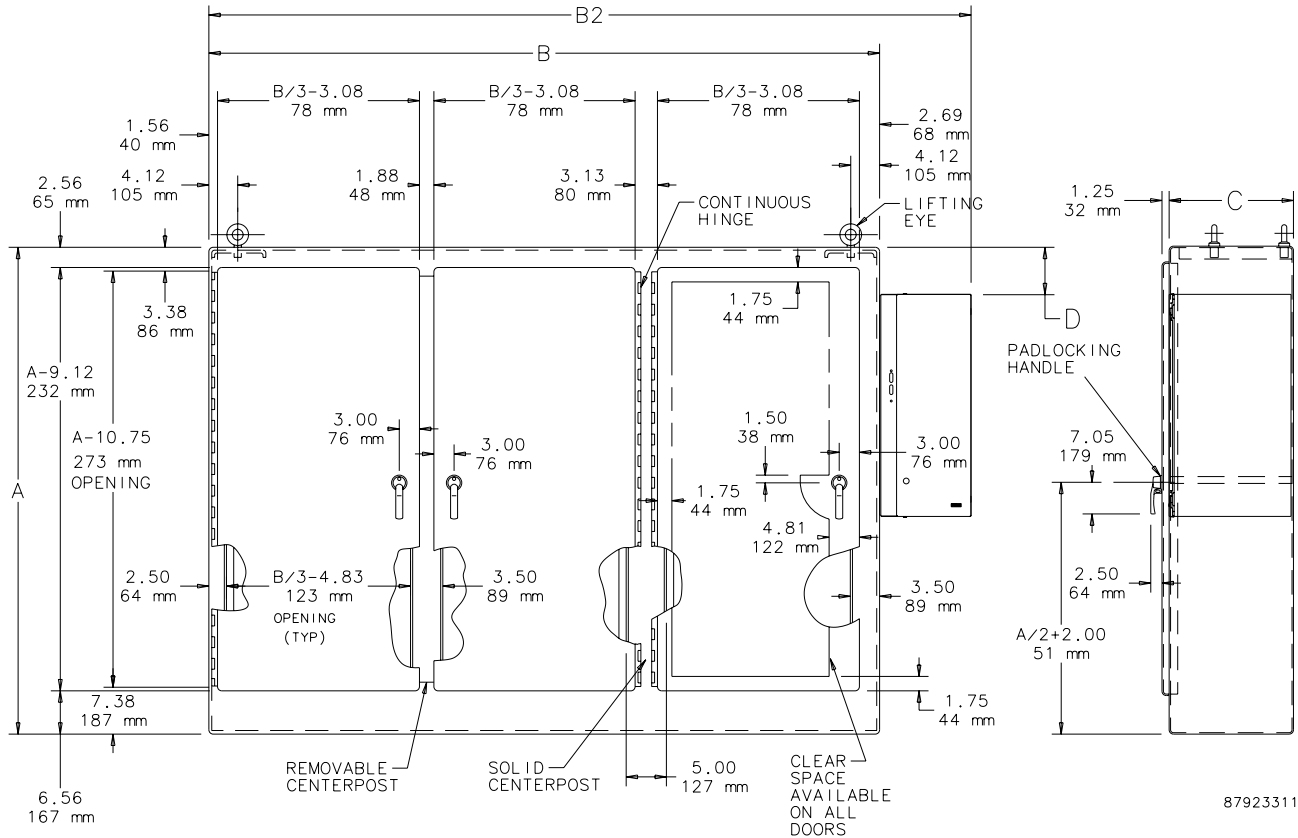
Standard Product **Three-Door Enclosures**

Catalog Number	AxBxC in./mm	Interior Finish	B2 in./mm	D in./mm	Large Panel	Number of Large Panels	Size of Large Panels in./mm	Small Panel	Number of Small Panels	Size of Small Panels in./mm
A72XD3EQ18FTCLPG	72.12 x 100.75 x 18.12 1832 x 2559 x 460	Gray	114.75 2915	0	A72PM66	1	60.00 x 60.00 1524 x 1524	A72PM34	1	60.00 x 33.75 1524 x 705
A72XD3EQ18FTCLP	72.12 x 100.75 x 18.12 1832 x 2559 x 460	White	114.75 2915	0	A72PM66	1	60.00 x 60.00 1524 x 1524	A72PM34	1	60.00 x 27.75 1524 x 705
A72XD3EW18FTCLPG	72.12 x 118.75 x 18.12 1832 x 3016 x 460	Gray	132.75 3372	0	A72PM78	1	60.00 x 72.00 1524 x 1829	A72PM40	1	60.00 x 33.75 1524 x 857
A72XD3EW18FTCLP	72.12 x 118.75 x 18.12 1832 x 3016 x 460	White	132.75 3372	0	A72PM78	1	60.00 x 72.00 1524 x 1829	A72PM40	1	60.00 x 33.75 1524 x 857
A84XD3EW18FTCLPG	84.12 x 118.75 x 18.12 2137 x 3016 x 460	Gray	132.75 3372	6.00 152	A84PM78	1	72.00 x 72.00 1829 x 1829	A84PM40	1	72.00 x 33.75 1829 x 857
A84XD3EW18FTCLP	84.12 x 118.75 x 18.12 2137 x 3016 x 460	White	132.75 3372	6.00 152	A84PM78	1	72.00 x 72.00 1829 x 1829	A84PM40	1	72.00 x 33.75 1829 x 857
A84XD3EW24FTCLPG	84.12 x 118.75 x 24.12 2137 x 3016 x 613	Gray	132.75 3372	6.00 152	A84PM78	1	72.00 x 72.00 1829 x 1829	A84PM40	1	72.00 x 33.75 1829 x 857
A84XD3EW24FTCLP	84.12 x 118.75 x 24.12 2137 x 3016 x 613	White	132.75 3372	6.00 152	A84PM78	1	72.00 x 72.00 1829 x 1829	A84PM40	1	72.00 x 33.75 1829 x 857
A90XD3EW24FTCLPG	90.12 x 118.75 x 24.12 2289 x 3016 x 613	Gray	132.75 3372	9.00 229	A90PM78	1	78.00 x 72.00 1981 x 1829	A90PM40	1	78.00 x 33.75 1981 x 857
A90XD3EW24FTCLP	90.12 x 118.75 x 24.12 2289 x 3016 x 613	White	132.75 3372	9.00 229	A90PM78	1	78.00 x 72.00 1981 x 1829	A90PM40	1	78.00 x 33.75 1981 x 857

B dimension is large enclosure without External Disconnect Enclosure.

B2 dimension is overall size including External Disconnect Enclosure.

Purchase panels separately.



87923311

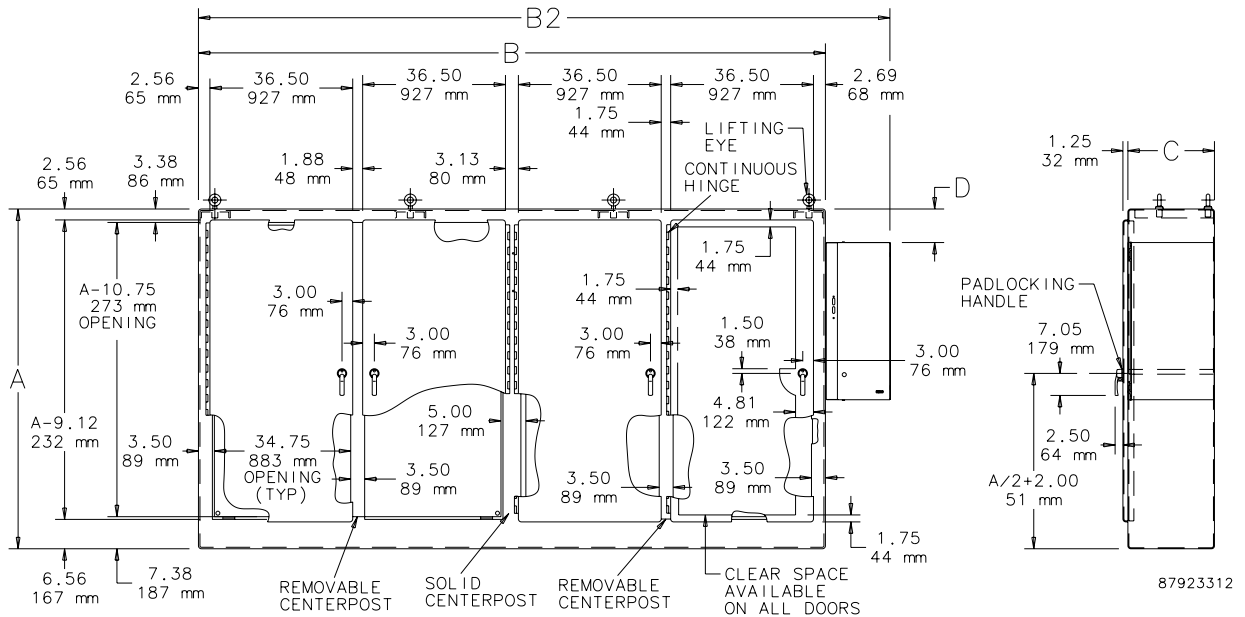
Standard Product **Four-Door Enclosures**

Catalog Number	AxBxC in./mm	Interior Finish	B2 in./mm	D in./mm	Large Panel	Number of Panels	Size of Panels in./mm
A84XD4EW18FTCLPG	84.12 x 158.00 x 18.12 2137 x 4013 x 460	Gray	172.00 4369	6.00 152	A84PM78	2	72.00 x 72.00 1829 x 1829
A84XD4EW18FTCLP	84.12 x 158.00 x 18.12 2137 x 4013 x 460	White	172.00 4369	6.00 152	A84PM78	2	72.00 x 72.00 1829 x 1829
A90XD4EW18FTCLPG	90.12 x 158.00 x 18.12 2289 x 4013 x 460	Gray	172.00 4369	9.00 229	A90PM78	2	78.00 x 72.00 1981 x 1829
A90XD4EW18FTCLP	90.12 x 158.00 x 18.12 2289 x 4013 x 460	White	172.00 4369	9.00 229	A90PM78	2	78.00 x 72.00 1981 x 1829
A84XD4EW24FTCLPG	84.12 x 158.00 x 24.12 2137 x 4013 x 613	Gray	172.00 4369	6.00 152	A84PM78	2	72.00 x 72.00 1829 x 1829
A84XD4EW24FTCLP	84.12 x 158.00 x 24.12 2137 x 4013 x 613	White	172.00 4369	6.00 152	A84PM78	2	72.00 x 72.00 1829 x 1829
A90XD4EW24FTCLPG	90.12 x 158.00 x 24.12 2289 x 4013 x 613	Gray	172.00 4369	9.00 229	A90PM78	2	78.00 x 72.00 1981 x 1829
A90XD4EW24FTCLP	90.12 x 158.00 x 24.12 2289 x 4013 x 613	White	172.00 4369	9.00 229	A90PM78	2	78.00 x 72.00 1981 x 1829

B dimension is large enclosure without External Disconnect Enclosure.

B2 dimension is overall size including External Disconnect Enclosure.

Purchase panels separately.



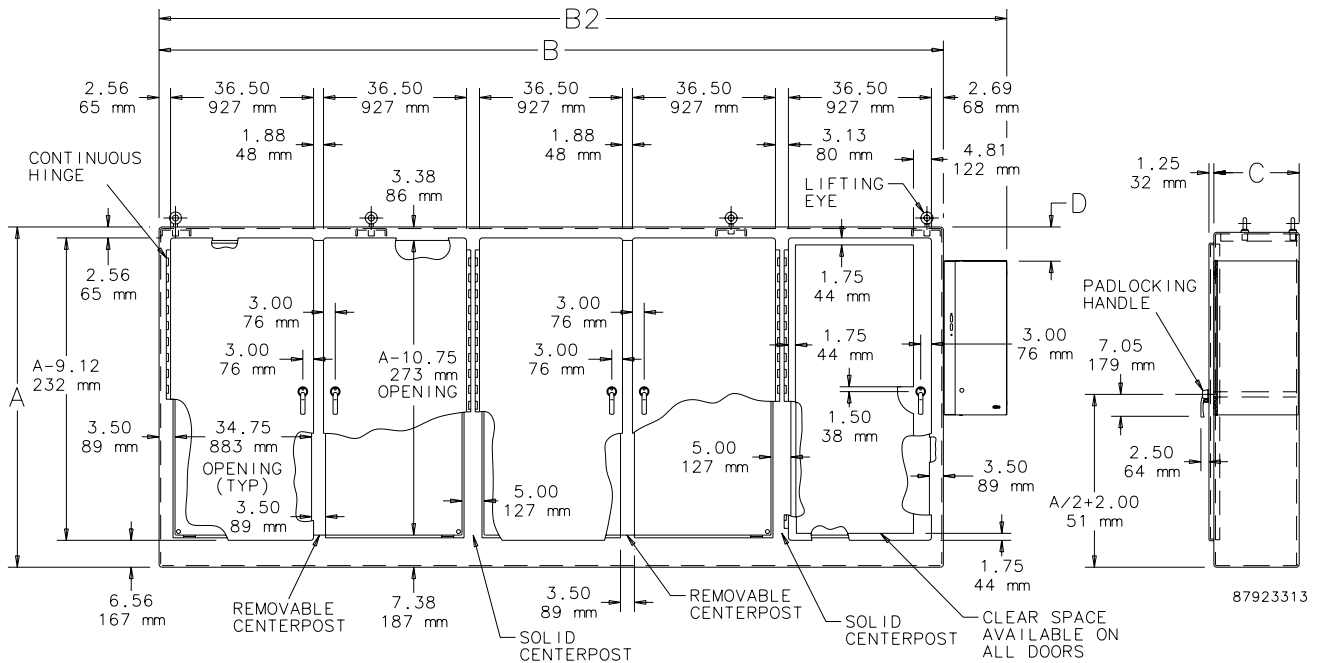
Standard Product **Five-Door Enclosures**

Catalog Number	AxBxC in./mm	Interior Finish	B2 in./mm	D in./mm	Large Panel	Number of Large Panels	Size of Large Panels in./mm	Small Panel	Number of Small Panels	Size of Small Panels in./mm
A84XD5EW18FTCLPG	84.12 x 197.75 x 18.12 2137 x 5023 x 460	Gray	211.00 5359	6.00 152	A84PM78	1	72.00 x 72.00 1829 x 1829	A84PM40	1	72.00 x 33.75 1829 x 857
A84XD5EW18FTCLP	84.12 x 197.75 x 18.12 2137 x 5023 x 460	White	211.00 5359	6.00 152	A84PM78	1	72.00 x 72.00 1829 x 1829	A84PM40	1	72.00 x 33.75 1829 x 857
A90XD5EW18FTCLPG	90.12 x 197.75 x 18.12 2289 x 5023 x 460	Gray	211.00 5359	9.00 229	A90PM78	1	78.00 x 72.00 1981 x 1829	A90PM40	1	78.00 x 33.75 1981 x 857
A90XD5EW18FTCLP	90.12 x 197.75 x 18.12 2289 x 5023 x 460	White	211.00 5359	9.00 229	A90PM78	1	78.00 x 72.00 1981 x 1829	A90PM40	1	78.00 x 33.75 1981 x 857
A84XD5EW24FTCLPG	84.12 x 197.75 x 24.12 2137 x 5023 x 613	Gray	211.00 5359	6.00 152	A84PM78	1	72.00 x 72.00 1829 x 1829	A84PM40	1	72.00 x 33.75 1829 x 857
A84XD5EW24FTCLP	84.12 x 197.75 x 24.12 2137 x 5023 x 613	White	211.00 5359	6.00 152	A84PM78	1	72.00 x 72.00 1829 x 1829	A84PM40	1	72.00 x 33.75 1829 x 857
A90XD5EW24FTCLPG	90.12 x 197.75 x 24.12 2289 x 5023 x 613	Gray	211.00 5359	9.00 229	A90PM78	1	78.00 x 72.00 1981 x 1829	A90PM40	1	78.00 x 33.75 1981 x 857
A90XD5EW24FTCLP	90.12 x 197.75 x 24.12 2289 x 5023 x 613	White	211.00 5359	9.00 229	A90PM78	1	78.00 x 72.00 1981 x 1829	A90PM40	1	78.00 x 33.75 1981 x 857

B dimension is large enclosure without External Disconnect Enclosure.

B2 dimension is overall size including External Disconnect Enclosure.

Purchase panels separately.



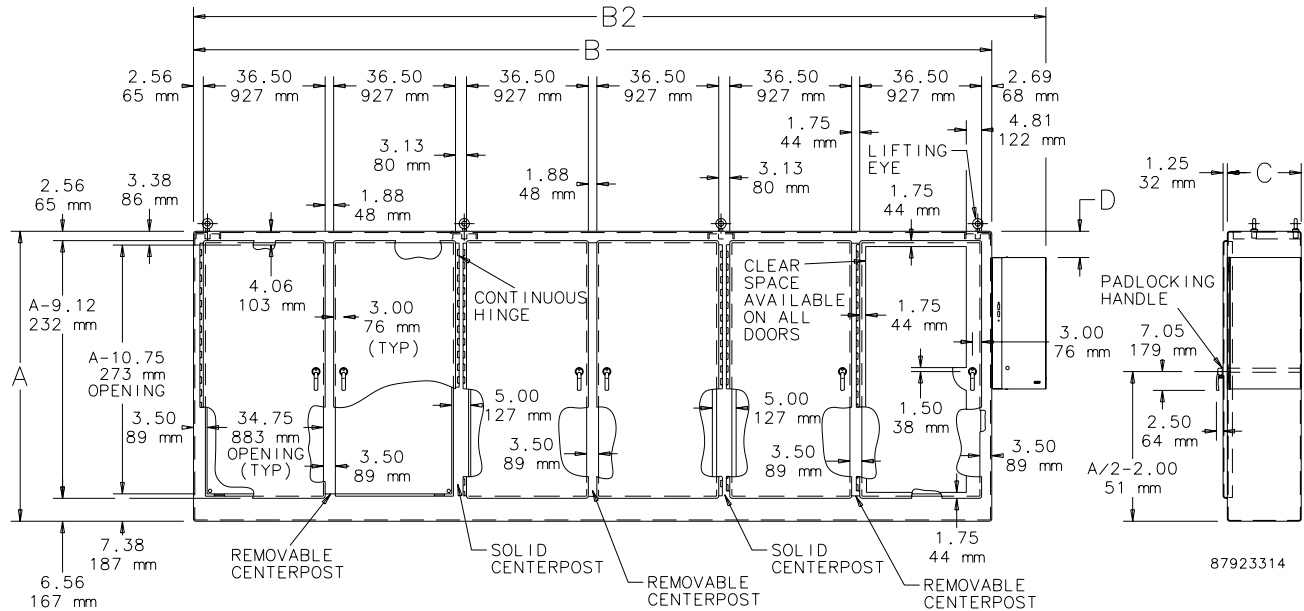
Standard Product **Six-Door Enclosure**

Catalog Number	AxBxC in./mm	Interior Finish	B2 in./mm	D in./mm	Large Panel	Number of Large Panels	Size of Panels in./mm
A84XD6EW24FTCLPG	84.12 x 236.00 x 24.12 2137 x 5994 x 613	Gray	250.00 6350	6.00 152	A84PM78	3	72.00 x 72.00 1829 x 1829
A84XD6EW24FTCLP	84.12 x 236.00 x 24.12 2137 x 5994 x 613	White	250.00 6350	6.00 152	A84PM78	3	72.00 x 72.00 1829 x 1829
A90XD6EW24FTCLPG	90.12 x 236.00 x 24.12 2289 x 5994 x 613	Gray	250.00 6350	9.00 229	A90PM78	3	78.00 x 72.00 1981 x 1829
A90XD6EW24FTCLP	90.12 x 197.75 x 24.12 2289 x 5023 x 613	White	250.00 6350	9.00 229	A90PM78	3	78.00 x 72.00 1981 x 1829

B dimension is large enclosure without External Disconnect Enclosure.

B2 dimension is overall size including External Disconnect Enclosure.

Purchase panels separately.


Optional Terminal Plates

Catalog Number	AxBxC in./mm	Description
ATBP3060	0.00	30 and 60 amp switches
ATBP100	0.00	100 amp switches
ATBP200	0.00	200 amp switches

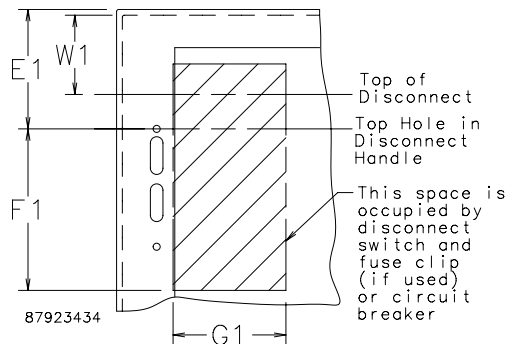
Terminal Plates rated IP20

DISCONNECT MOUNTING SPACE

Disconnects are located by dimension E1. Wiring space W1 is available when disconnect is installed in the enclosure. See the Hoffman Specifier's Guide Technical Information chapter for E1 Spacing by Enclosure Height for various disconnect switch manufacturers.

Refer to **National Electrical Code® 2008** article 430.10(B) for wiring space required for line side conductors to be connected to disconnect. **Verify your application to determine if wiring space is adequate.**

Consult Space Occupied by Disconnect drawing to determine whether the disconnect device you are using will fit the enclosure size you have selected.



Consult disconnect manufacturer for F1 and G1 dimensions.

MILD STEEL SEQUESTR PREFERRED-CUTOUT OVERVIEW



These enclosures will NOT accept Allen-Bradley Bulletin 1494F disconnect devices or Bulletin 1494D circuit breaker operators.

Schneider Square D® Class 9422 disconnect switches with flange-mount left-hand variable-depth operating mechanisms and Class 9422 flange-mount left-hand variable-depth operating mechanisms for circuit breakers.

These enclosures will NOT accept Square D Class 9422 bracket-mounted disconnect devices, Class 9422TG1 or TG2 devices.

APPLICATION

The SEQUESTR enclosures have the standard preferred cutout on the left-hand flange. They accept up to 200A disconnect switches from Allen-Bradley and Schneider Square D.

SEQUESTR cutouts are designed to house the following:

Allen-Bradley

- Bulletin 1494V DSX left-hand disconnect switches with flange-mount variable-depth operating mechanisms and Bulletin 1494V flange-mount variable depth operating mechanisms for circuit breakers.
- Bulletin 1494U Allen-Bradley universal disconnect switches with flange-mount handles for either variable-depth or cable-operated mechanisms.

ORDERING

Disconnect switch (or circuit breakers), operating handle and operating mechanism are not furnished with enclosure. Consult the Hoffman Specifier's Guide Technical Information chapter for wire bend information. Consult drawings to match the disconnect device you are using with the correct enclosure size.

A complete assembly consists of:

1. An enclosure
2. Door interlock brackets
3. Door latching system (2-point on SEQUESTR Enclosure, 3-point on main control cabinet doors)
4. Instructions to locate and install disconnect
5. Grounding hardware kit
6. Conductive panel in SEQUESTR External Disconnect Enclosure