

Double down on safety with Eaton's newest switch



Note: 100 A device shown. Fuses not included.

Eaton's double-door line isolation switch is the industry's first compartmentalized fusible safety switch, and the latest product in Eaton's expanding offering of enhanced safety switch devices. The revolutionary two-door design includes an internal barrier that separates the upper switching compartment from the lower fuse compartment. This allows operators to access the fuse compartment with no exposure to line-side power, providing enhanced safety during fuse replacement.



Powering Business Worldwide

Features and benefits

Improved safety

- **Isolation of fuse base from line-side power**
Accomplished with individually covered compartments separated by an internal barrier
- **Observe position of the movable blades within the switch base**
External window and enhanced visible blade components enable confirmation of whether the circuit is open or closed. Allows personnel to clearly see that the blades are disengaged from the stationary contacts when the switch is OFF
- **Prevent doors from being opened when switch is energized**
Interlocking mechanism keeps door closed when handle is in the ON position and defeat mechanism enables user access when necessary
- **Maintain isolation from incoming line-side cables within fuse compartment**
Barriered wireway for bottom feed applications—can be removed for top exit ❶

❶ For switch designs through 200 A.

Simplified maintenance and testing

- Revolutionary design minimizes exposure, enhances safety and maximizes uptime when accessing load-side fuse compartment
- Screw-down fasteners on the upper switch compartment door add a layer of safety requiring a tool for entry, and include a padlocking means
- Optional lower viewing windows are available (for fuses with blown fuse indicators)
- Double-door designs accept many of the standard safety switch accessories—auxiliary contacts, control pole, neutrals, etc.

Increased flexibility

- Ratings—30 A through 1200 A, 240 Vac and 600 Vac
- NEMA® Type 12/3R and 4/4X enclosures available
- Optional voltage monitors provide additional verification as to whether or not the circuit is open
- Customized solutions are always available via Eaton's switching device Flex Center

Phone: (888) 329-9272
Email: FlexSwitches@Eaton.com

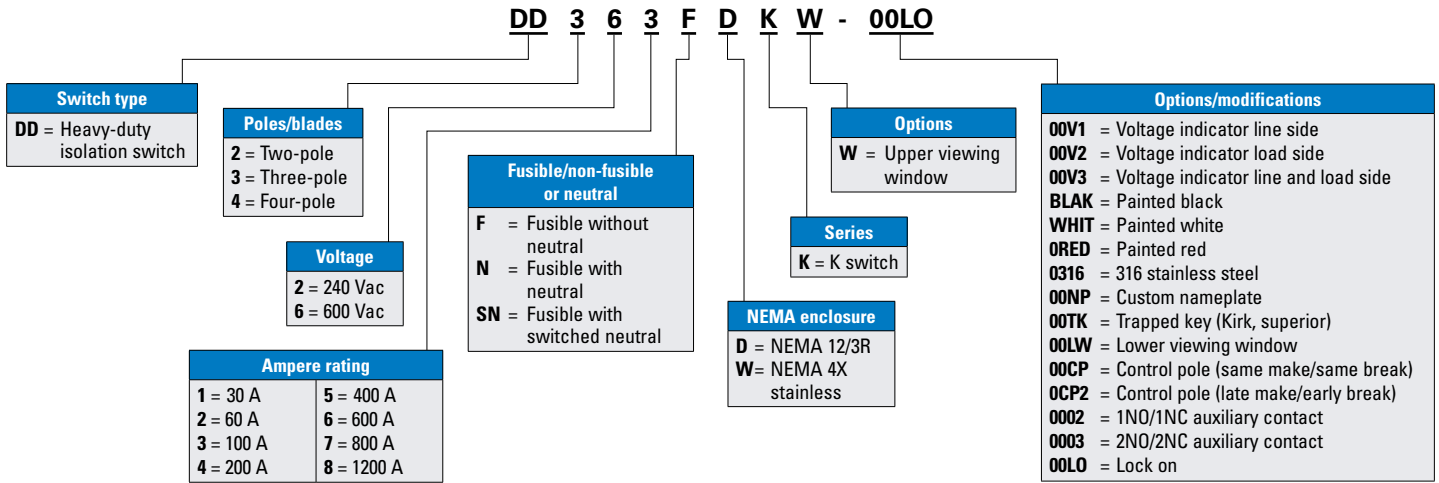
UL certifications

- UL® 98 standard, file no. E5239



Enhanced safety during maintenance

Technical specifications



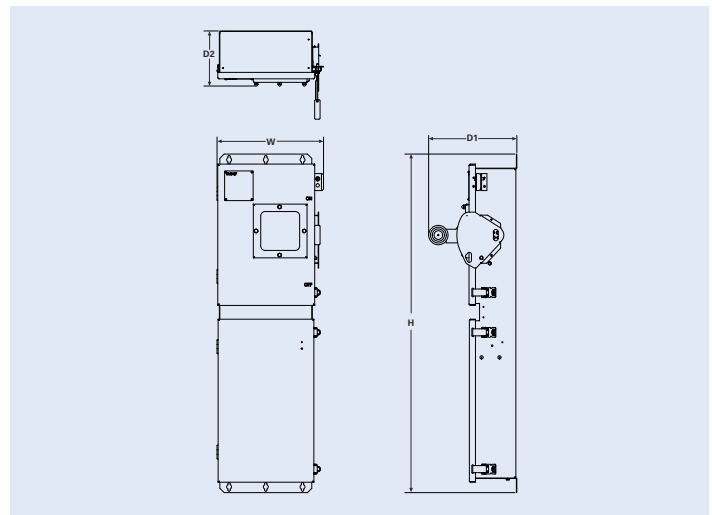
Dimensions in inches (mm)

Ampere rating	Height (H)	Width (W)	Depth (D1)	Depth (D2)
30/60	37.49 (952.3)	9.30 (236.2)	8.22 (208.8)	6.37 (161.8)
100	39.19 (995.4)	12.33 (313.2)	10.21 (259.3)	6.37 (161.8)
200	49.90 (1267.5)	17.18 (436.4)	11.62 (295.1)	7.31 (185.7)
400	72.46 (1840.5)	24.32 (617.7)	16.41 (416.8)	14.56 (369.8)
600	77.96 (1980.2)	25.32 (643.1)	19.31 (490.5)	17.80 (452.1)
800	86.73 (2202.9)	26.57 (674.9)	22.16 (562.9)	17.81 (452.4)
1200	91.02 (2312.0)	43.11 (1095.0)	27.18 (690.4)	21.23 (539.2)

Cable IN/OUT reference chart

	Top IN ①	Bottom IN
Top OUT	■	—
Bottom OUT	■	■

① Remove wireway in bottom compartment. Necessary for 30 A–200 A units only.



Ratings and capacities

Ampere rating	Factory fuse class	Optional fuse class ①	Standard lug capacities			
			Per phase		Ground ②	
			Min. wire size	Max. wire size	Min. wire size	Max. wire size
30	H	J, R	#14	#2	#14	#4
60	H	J, R	#14	#2	#14	#4
100	H	J, R	#14	1/0	#14	#4
200	H	J, R, T	#6	300 kcmil	#14	#2
400	H	J, R, T	(2) 1/0 (1) 1/0	(2) 300 kcmil–1/0 or ③ (1) 175 kcmil–1/0	#6	250 kcmil
600	H	J, R, T	(1) #2 (1) #2	(1) 600 kcmil and ④ (1) 750 kcmil	#6	250 kcmil
800	L	T	(4) 1/0	(4) 750 kcmil	#6	250 kcmil
1200	L	T	(4) 1/0	(4) 750 kcmil	#6	250 kcmil

① Switches ranging from 30 A to 400 A can relocate clips/base for class J fuses. All other classes/amperages require a kit. Please consult catalog or contact the Technical Resource Center (TRC) for specific kit catalog numbers.

② Lay-in type lug uses 30 A–100 A. Two ground lugs are provided for 200 A–1200 A switches, each accommodating the wire range listed above.

③ Single barrel lug that accepts one or two cables per phase as detailed above.

④ Double barrel lug that accepts two cables per phase as detailed above.

Eaton
1000 Eaton Boulevard
Cleveland, OH 44122
United States
Eaton.com

© 2017 Eaton
All Rights Reserved
Printed in USA
Publication No. PA008016EN / Z19636
June 2017

EATON
Powering Business Worldwide

For more information, visit
Eaton.com/doubledoor

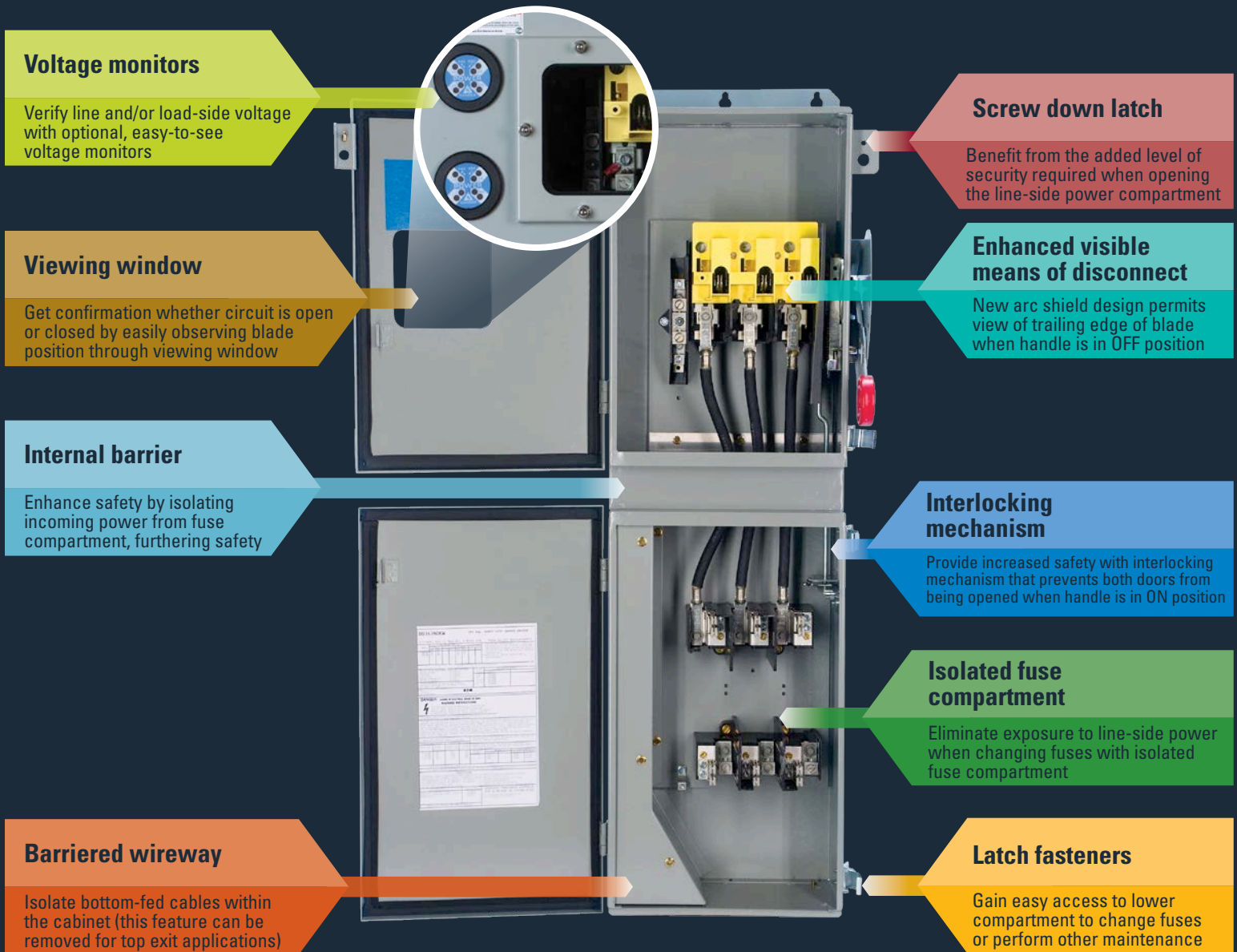
Follow us on social media to get the latest product and support information.



Eaton is a registered trademark.

All other trademarks are property of their respective owners.

Double up on safety with Eaton's double-door, line-side isolation switch



Voltage monitors

Verify line and/or load-side voltage with optional, easy-to-see voltage monitors

Viewing window

Get confirmation whether circuit is open or closed by easily observing blade position through viewing window

Internal barrier

Enhance safety by isolating incoming power from fuse compartment, furthering safety

Barred wireway

Isolate bottom-fed cables within the cabinet (this feature can be removed for top exit applications)

Screw down latch

Benefit from the added level of security required when opening the line-side power compartment

Enhanced visible means of disconnect

New arc shield design permits view of trailing edge of blade when handle is in OFF position

Interlocking mechanism

Provide increased safety with interlocking mechanism that prevents both doors from being opened when handle is in ON position

Isolated fuse compartment

Eliminate exposure to line-side power when changing fuses with isolated fuse compartment

Latch fasteners

Gain easy access to lower compartment to change fuses or perform other maintenance

Note: Enlarge circled area view of front door closed.

For more information, visit
Eaton.com/doubledoor

EATON
Powering Business Worldwide

Eaton
1000 Eaton Boulevard
Cleveland, OH 44122
United States
Eaton.com

© 2016 Eaton
All Rights Reserved
Printed in USA
Publication No. MZ008004EN / Z18616
September 2016

Follow us on social media to get the latest product and support information.



Eaton is a registered trademark.

All other trademarks are property of their respective owners.