



CAR WASH DELUXE SINGLE CLEARANCE BAR WITH BRAND BOOSTER

FEATURES

The Illuminated Wing hardware is 55.37" W x 20.89" H powder coated metal with an adjustable mounting bracket to control angle

- Optional graphics for the Clearance Bar Illuminated Side Wing: 17" W x 51.5" H full graphic
- Optional poly graphic cover

The Non-Illuminated Wing hardware is 17.01" W x 47.95" H powder coated metal with an adjustable mounting bracket to control angle

- Optional graphics for the Clearance Bar Side Wing: 16.75" x 47.88" H direct-print graphic
- Optional poly graphic cover

Both the Illuminated and Non-Illuminated wings include adjustable mount for maximum visibility.

Available in 7 standard colors with a 10 business day lead time. *(custom colors available with additional lead time. Call for quote)*

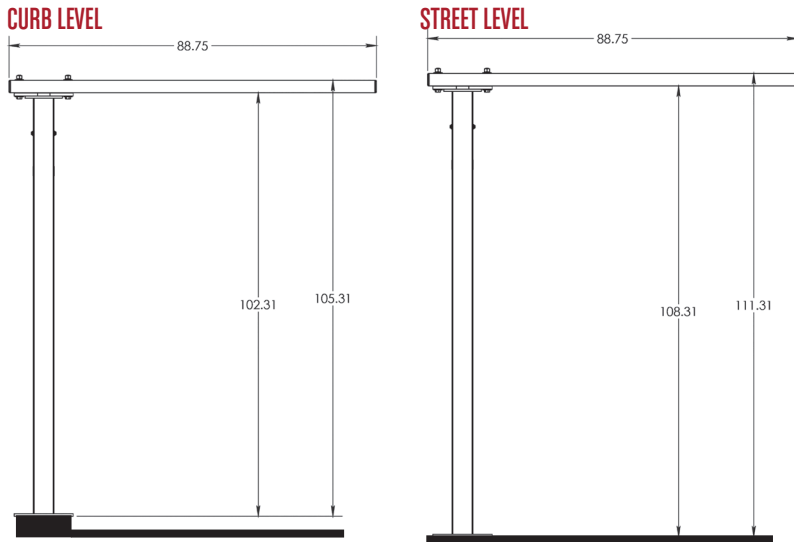
OVERVIEW

You need a clearance bar for your car wash. Why not put it to multiple uses? Add an illuminated or non-illuminated side wing to expand the opportunities to display your messages. They are easy to add to a new or existing clearance bar. They are perfect for specials or to highlight your highest margin items before your guest reaches the main menu board.

These inexpensive clearance bar enhancements come in illuminated and non-illuminated options. The flexible mounting allows you to angle the wing the way you need it for perfect visibility as guests enter the car wash. Turn your clearance bar into an additional branding and suggestive selling tool!

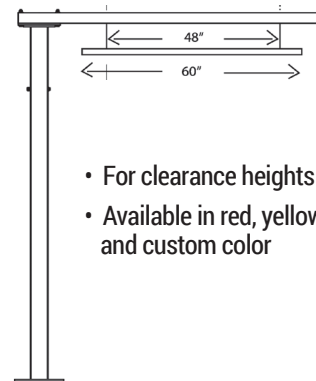
CAR WASH DELUXE SINGLE CLEARANCE BAR WITH BRAND BOOSTER

SPECIFICATIONS



OPTIONS

ADD ON CABLE HUNG PVC SWAY BAR



- For clearance heights below 9 ft.
- Available in red, yellow, white and custom color

STANDARD METAL COLOR OPTIONS

