



CAR WASH DELUXE SINGLE CLEARANCE BAR

OVERVIEW

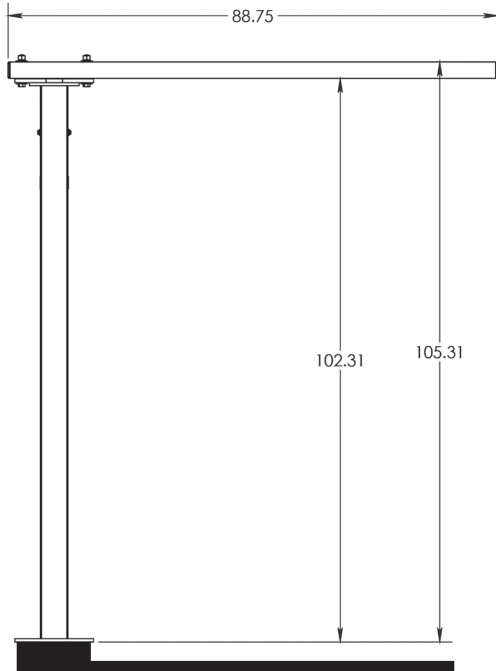
Our clearance bar may help reduce insurance claims and damage to vehicles, awnings and overhangs.

FEATURES

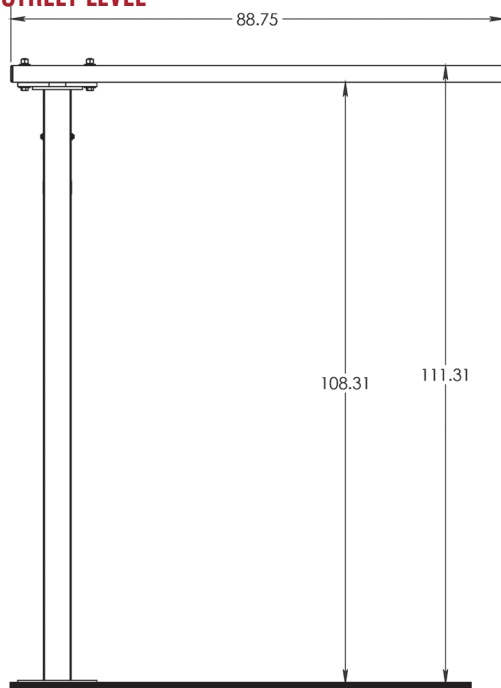
- Powder-coated steel available in 7 standard colors to match our DT Choice main unit and canopy - black, blue, red, white, tan, silver and brown
- Steel pole is available in two heights: Curb Level 102" or Street Level 108"
- Below ground foundation kit
- Rotating helix allows horizontal bar to swing away when struck and will return to original position
- Includes two (2) year limited warranty
- The unit is shipped in two parts - 1.) upright bar and 2.) crossbar
- Ships via common carrier
- Optional add on for clearance heights below 9 ft.: Cable Hung PVC Sway Bar in red, yellow, white and custom color

SPECIFICATIONS

CURB LEVEL

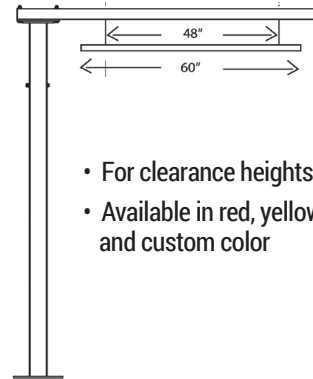


STREET LEVEL



OPTIONS

ADD ON CABLE HUNG PVC SWAY BAR



- For clearance heights below 9 ft.
- Available in red, yellow, white and custom color

STANDARD METAL COLOR OPTIONS

