



Plastic Ingenuity  
thermoforming your **vision**

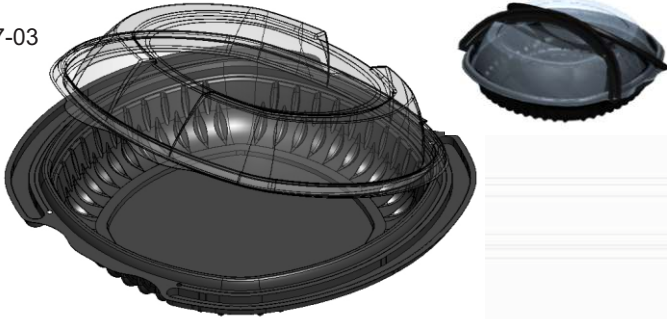


**S**  
**T**  
**O**  
**C**  
**K**

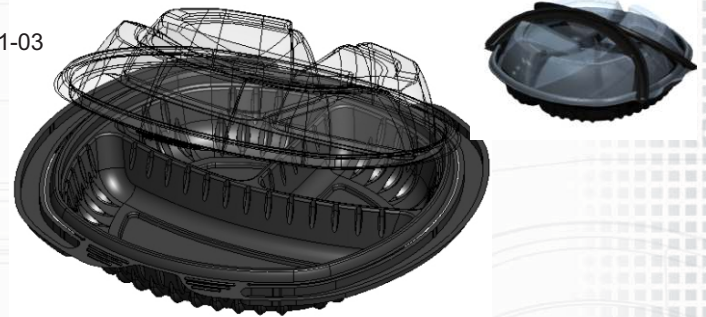


**PI** Plastic Ingenuity  
thermoforming your vision

0487-03

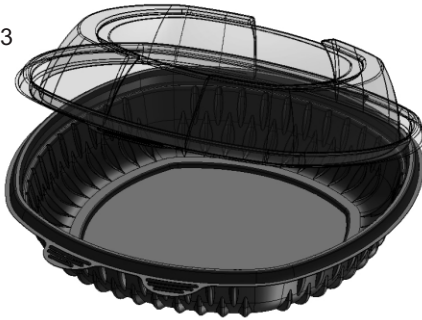


0491-03

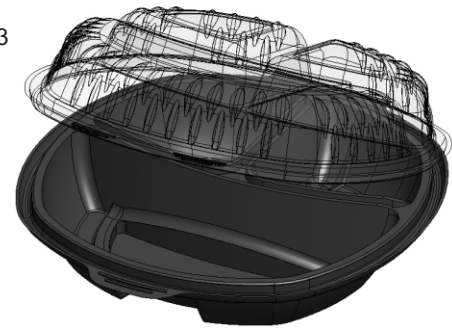


Part	Description	Mold Dimensions	Material	Gauge	Color	CS Weight	CS Count
0487-03	9" 1 Comp. Vented Clamshell (with handles)	19.5" x 10.48" x 1.75"	Polypropylene	25 mil	Black/Clear	15.6 lbs.	100
0491-03	9" 3 Comp. Vented Clamshell (with handles)	19.5" x 10.48" x 1.75"	Polypropylene	25 mil	Black/Clear	15.6 lbs.	100

0524-03



0538-03



Part	Description	Mold Dimensions	Material	Gauge	Color	CS Weight	CS Count
0524-03	9" 1 Comp. Vented Clamshell (without handles)	19.5" x 10.48" x 1.75"	Polypropylene	25 mil	Black/Clear	15.3 lbs.	100
0538-03	9" 3 Comp. Vented Clamshell (without handles)	19.5" x 10.48" x 1.75"	Polypropylene	25 mil	Black/Clear	15.3 lbs.	100

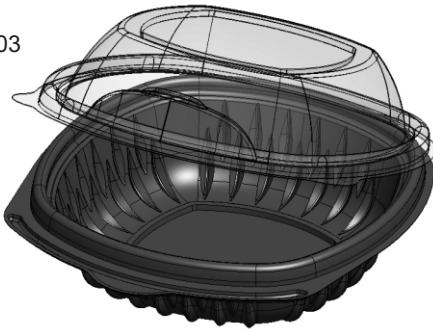






**Plastic Ingenuity**  
thermoforming your **vision**

0494-03



2637-10



Part	Description	Mold Dimensions	Material	Gauge	Color	CS Weight	CS Count
0494-03	Single Serve Vented Clamshell	13.7" x 6.5" x 1.87"	Polypropylene	25 mil	Black/Clear	14.1 lbs.	200
2637-10	Hoagie Sandwich Clamshell	9.0" x 8.9" x 1.74"	HIPS	20 mil	Black/Clear	15 lbs. (est.)	200

2846-10



5011-11



Part	Description	Mold Dimensions	Material	Gauge	Color	CS Weight	CS Count
2846-10	Square Sandwich Clamshell	12.03" x 6.01" x 1.34"	HIPS	20 mil	Black/Clear	22 lbs.	200
5011-11	6" x 6" Sandwich Clamshell	11.0" x 5.92" x 1.84"	PET	25 mil	Black/Clear	Custom	Custom







**Plastic Ingenuity**  
thermoforming your **vision**

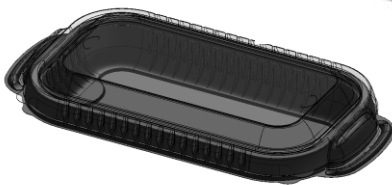
0501-03



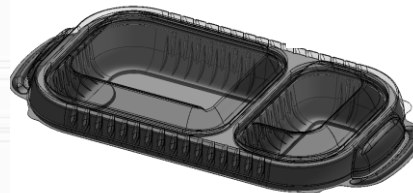
0497-03



0503-03

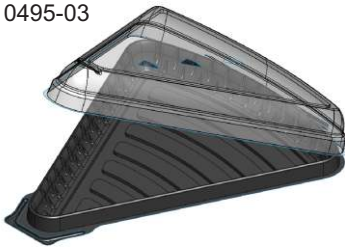


0499-03



Part	Description	Mold Dimensions	Material	Gauge	Color	CS Weight	CS Count
0503-03	1 Comp. Base Combo	15.76" x 7.99" x 1.78"	Polypropylene	25 mil	Black	18.5 lbs.	100 (sets)
0501-03	1 Comp. Lid Vent Combo	14.54" x 8.04" x 1.33"	Polypropylene	20 mil	Natural		
0499-03	2 Comp. Base Combo	15.76" x 7.99" x 1.78"	Polypropylene	25 mil	Black	18.5 lbs.	100 (sets)
0497-03	2 Comp. Lid Vent Combo	14.54" x 8.04" x 1.33"	Polypropylene	20 mil	Natural		

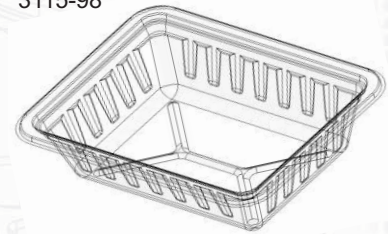
0495-03



2551-96



3115-98



Part	Description	Mold Dimensions	Material	Gauge	Color	CS Weight	CS Count
0495-03	Wedge Vent Clamshell	20.62" x 8.95" x 1.75"	Polypropylene	20 mil	Black/Clear	9.5 lbs.	100
2551-96	3 P Tray	8.84" x 6.78" x 1.6"	HIPS	20 mil	Black	Custom	Custom
3115-98	2# - 3P (MM Tool)	8.84" x 6.78" x 1.6"	PETG / HIPS	20 mil	White/Clear	Custom	Custom

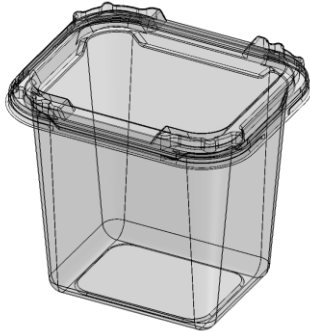




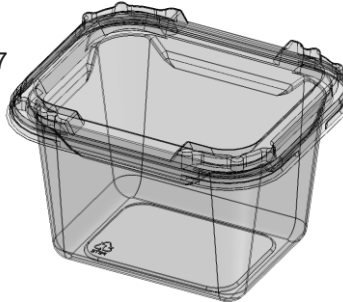


**Plastic Ingenuity**  
thermoforming your **vision**

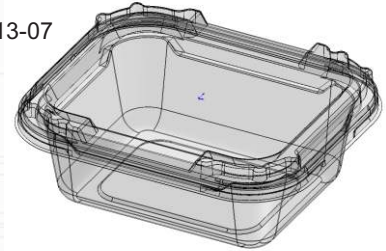
2715-07



2714-07

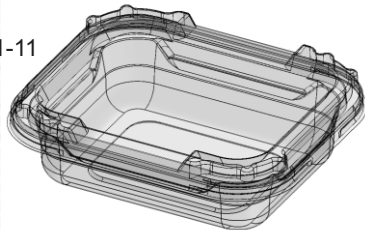


2713-07



Part	Description	Mold Dimensions	Material	Gauge	Color	CS Weight	CS Count
2715-07	48 oz. Deli Container	6.06" x 5.04" x 5.4"	PET	50 mil	Clear	27 lbs.	276
2714-07	32 oz. Deli Container	6.06" x 5.04" x 3.7"	PET	35 mil	Clear	27 lbs.	420
2713-07	16 oz. Deli Container	6.06" x 5.04" x 2.0"	PET	25 mil	Clear	21 lbs.	480

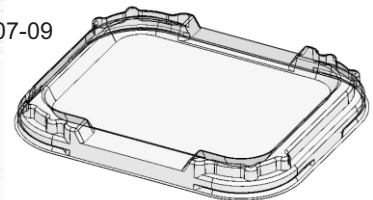
3101-11



2712-07



4307-09



Part	Description	Mold Dimensions	Material	Gauge	Color	CS Weight	CS Count
3101-11	12 oz. Deli Container	6.06" x 5.04" x 1.5"	PET	20 mil	Clear	17 lbs.	480
2712-07	8 oz. Deli Container	6.06" x 5.04" x 1.1"	PET	20 mil	Clear	17 lbs.	498
4307-09	Universal Deli Container Lid	6.06" x 5.04" x 0.5"	PET	14 mil	Clear	17 lbs.	702

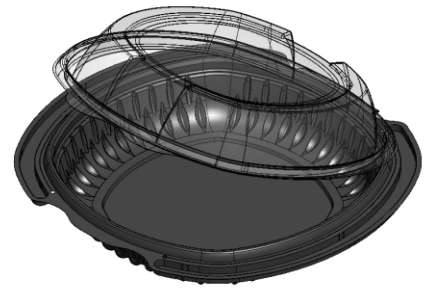






# 9" 1 Comp. Vented Clamshell with handles

0487-03



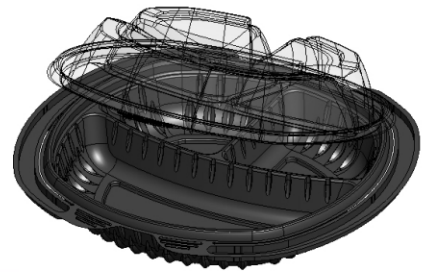
<b>Description</b>	9" 1 Comp. Vented Clamshell (with handles)
<b>Mold Dimensions</b>	19.5" x 10.48" x 1.75"
<b>Material</b>	PP
<b>Gauge</b>	25 mil
<b>Color</b>	Black/Clear
<b>CS Weight</b>	15.6 lbs
<b>CS Count</b>	100





# 9" 3 Comp. Vented Clamshell with handles

0491-03



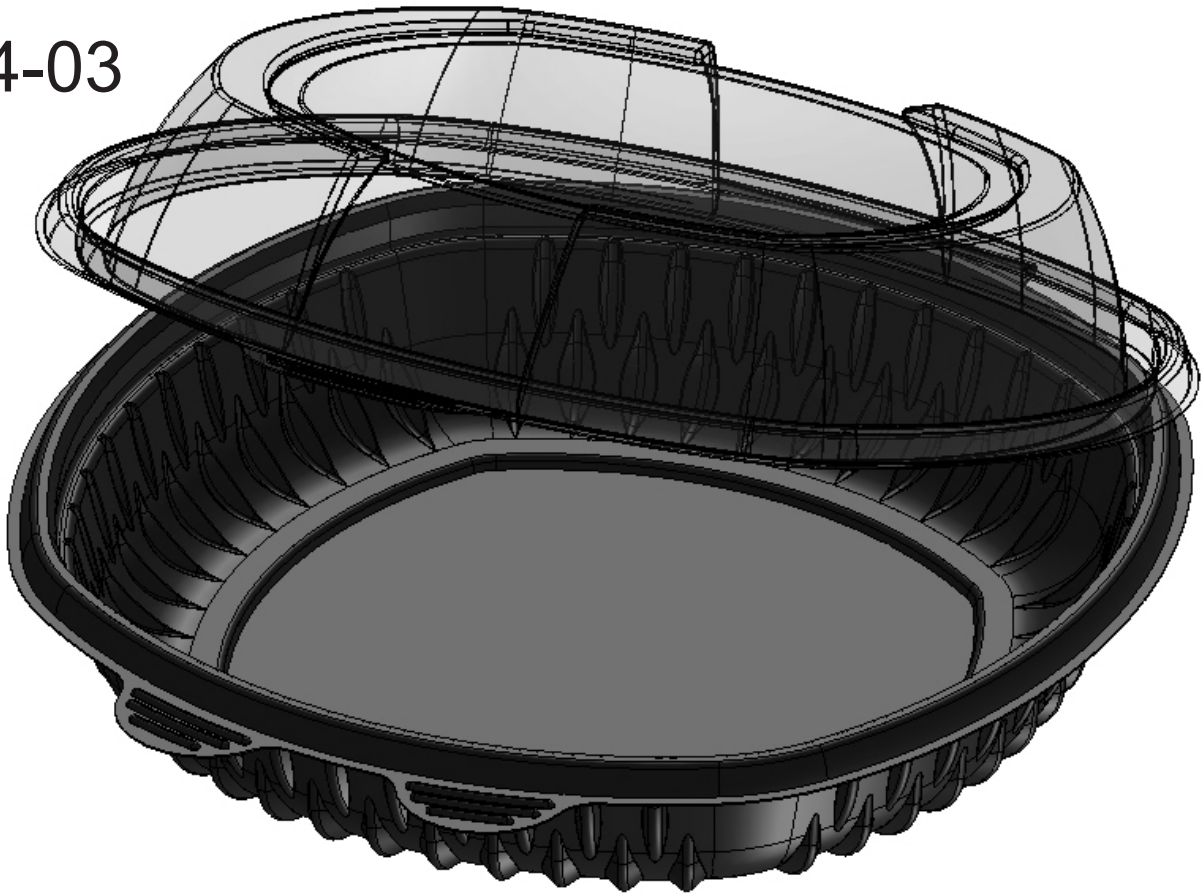
<b>Description</b>	9" 3 Comp. Vented Clamshell (with handles)
<b>Mold Dimensions</b>	19.5" x 10.48" x 1.75"
<b>Material</b>	PP
<b>Gauge</b>	25 mil
<b>Color</b>	Black/Clear
<b>CS Weight</b>	15.6 lbs
<b>CS Count</b>	100





# 9" 1 Comp. Vented Clamshell without handles

0524-03



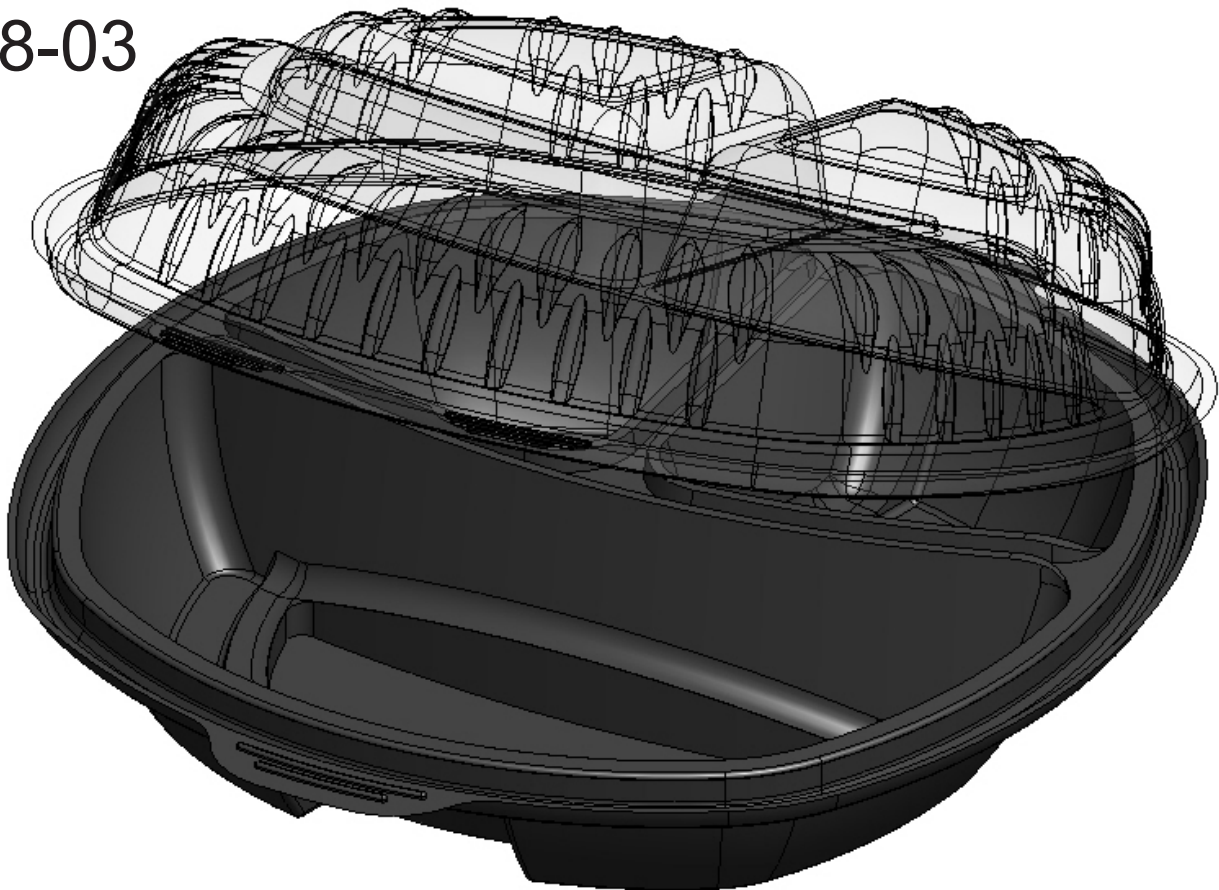
<b>Description</b>	9" 1 Comp. Vented Clamshell (without handles)
<b>Mold Dimensions</b>	19.5" x 10.48" x 1.75"
<b>Material</b>	PP
<b>Gauge</b>	25 mil
<b>Color</b>	Black/Clear
<b>CS Weight</b>	15.6 lbs
<b>CS Count</b>	100





# 9" 3 Comp. Vented Clamshell without handles

0538-03

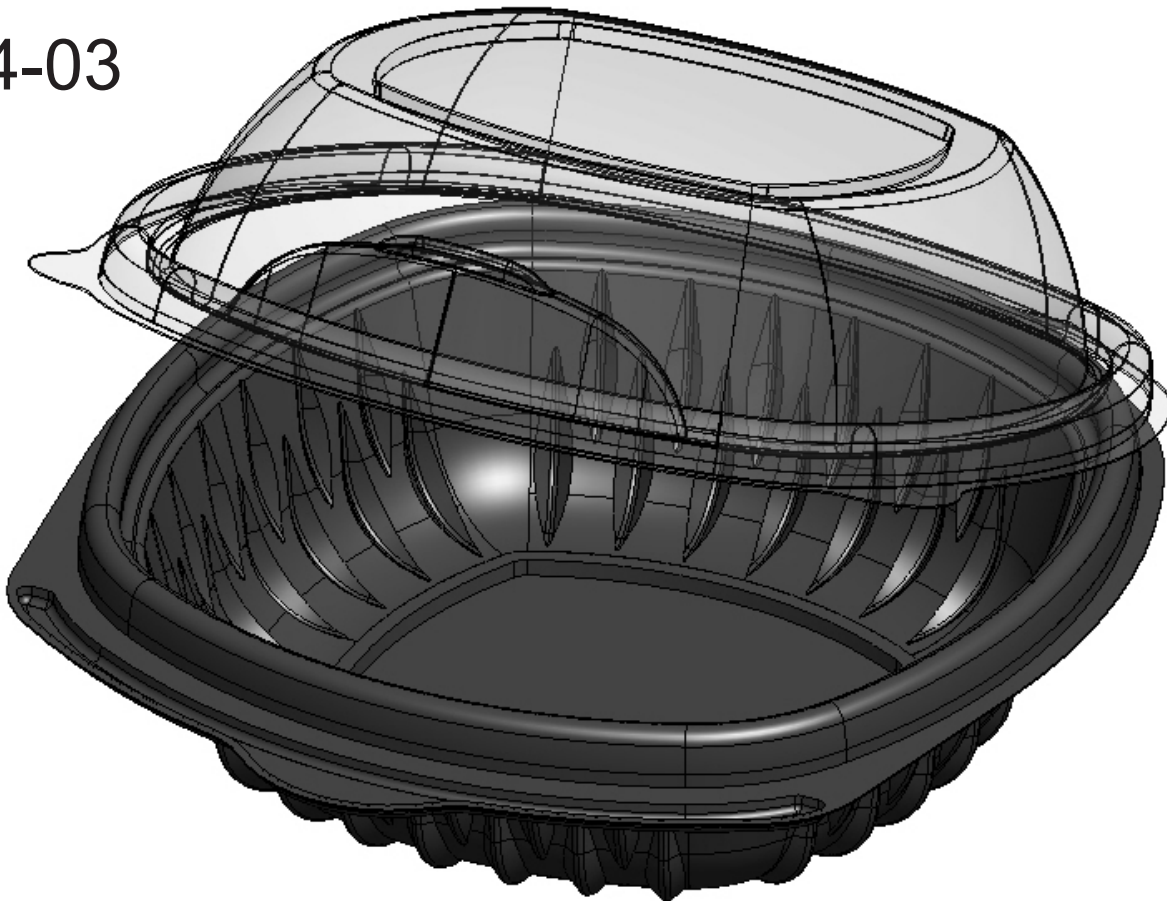


<b>Description</b>	9" 3 Comp. Vented Clamshell (without handles)
<b>Mold Dimensions</b>	19.5" x 10.48" x 1.75"
<b>Material</b>	PP
<b>Gauge</b>	25 mil
<b>Color</b>	Black/Clear
<b>CS Weight</b>	15.6 lbs
<b>CS Count</b>	100



# Single Serve Vented Clamshell

0494-03



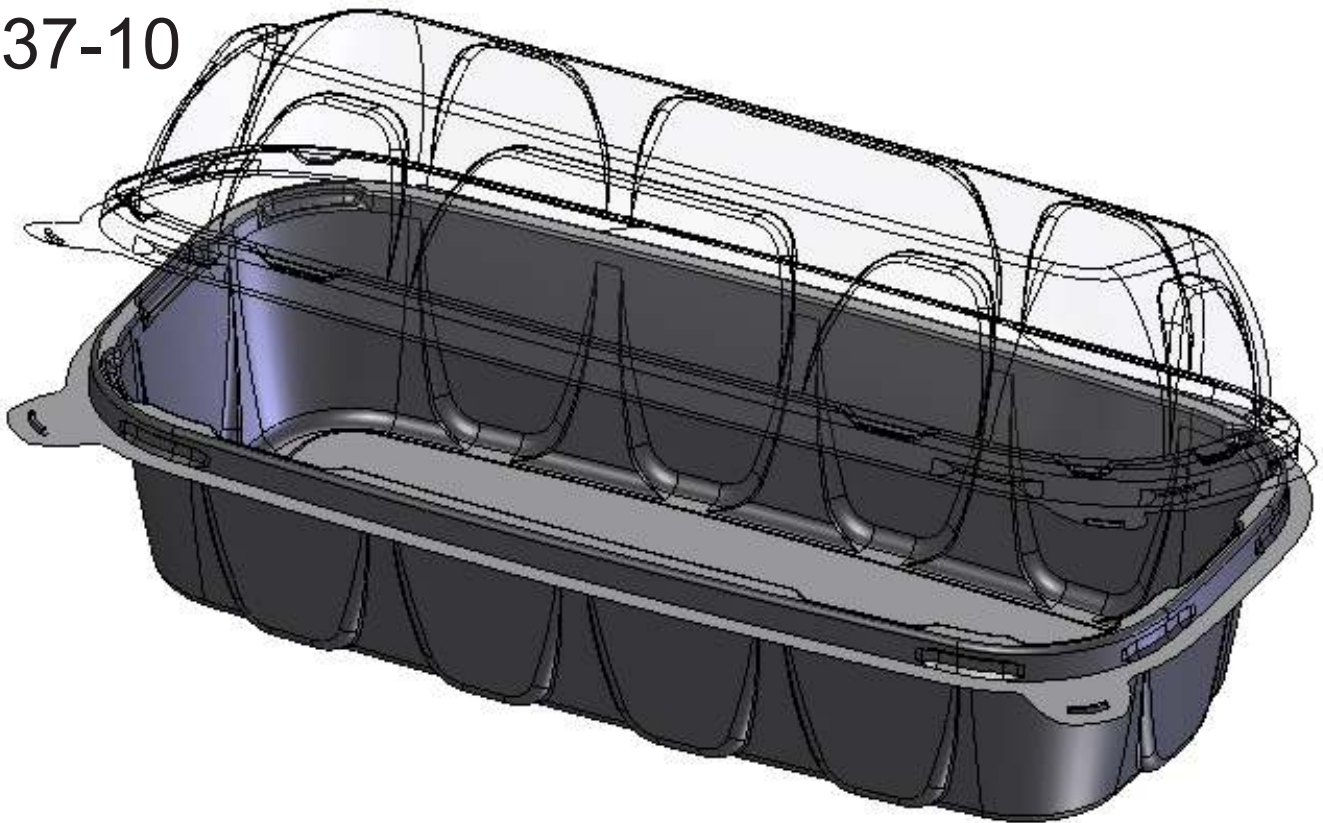
<b>Description</b>	Single Serve Vented Clamshell
<b>Mold Dimensions</b>	13.7" x 6.5" x 1.87"
<b>Material</b>	PP
<b>Gauge</b>	25 mil
<b>Color</b>	Black/Clear
<b>CS Weight</b>	14.1 lbs
<b>CS Count</b>	200





# Hoagie Sandwich Clamshell

2637-10



<b>Description</b>	Hoagie Sandwich Clamshell
<b>Mold Dimensions</b>	9.0" x 8.9" x 1.74"
<b>Material</b>	HIPS
<b>Gauge</b>	20 mil
<b>Color</b>	Black/Clear
<b>CS Weight</b>	15 lbs (est.)
<b>CS Count</b>	200



# Square Sandwich Clamshell

2846-10



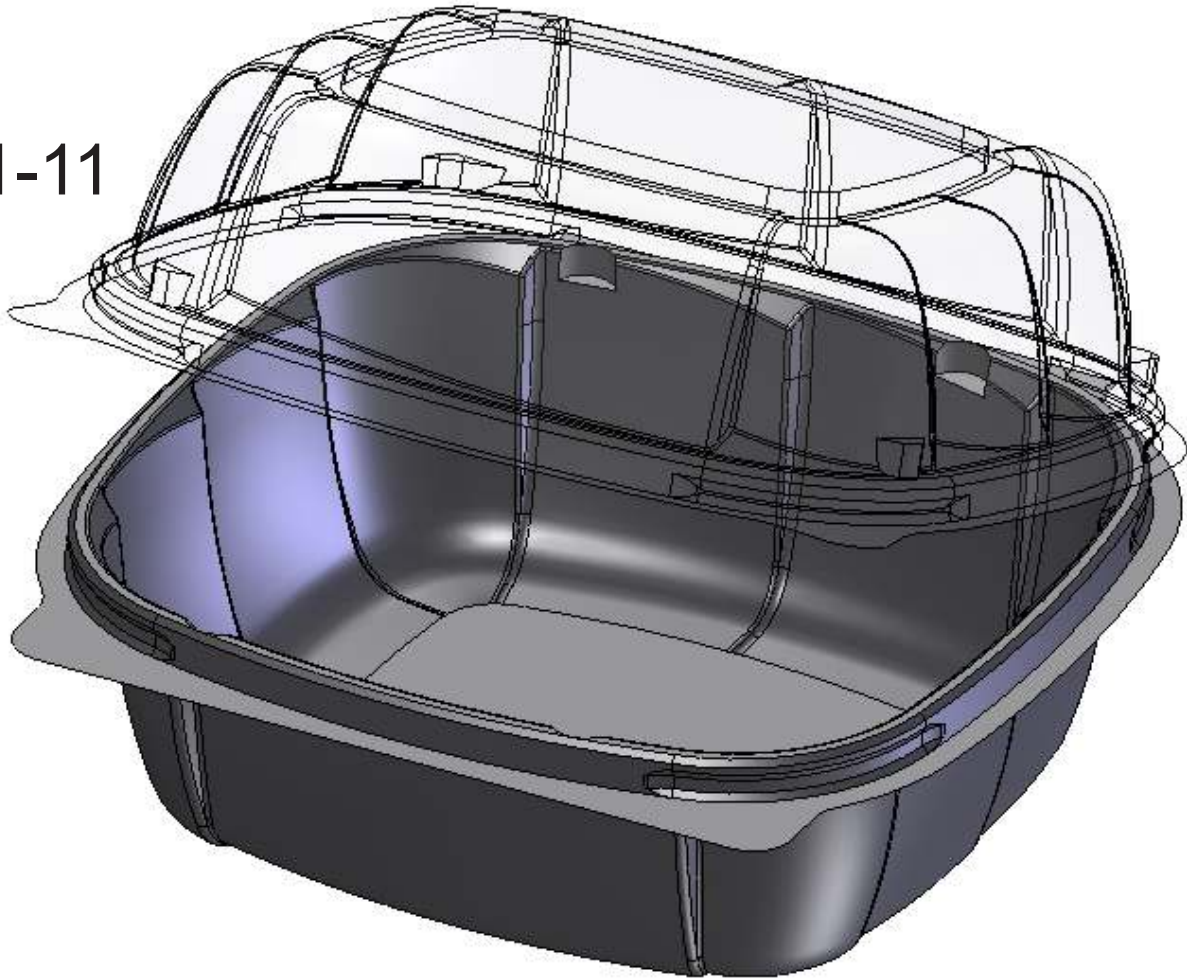
<b>Description</b>	Square Sandwich Clamshell
<b>Mold Dimensions</b>	12.03" x 6.01" x 1.34"
<b>Material</b>	HIPS
<b>Gauge</b>	20 mil
<b>Color</b>	Black/Clear
<b>CS Weight</b>	22 lbs
<b>CS Count</b>	200





## 6" x 6" Sandwich Clamshell

5011-11

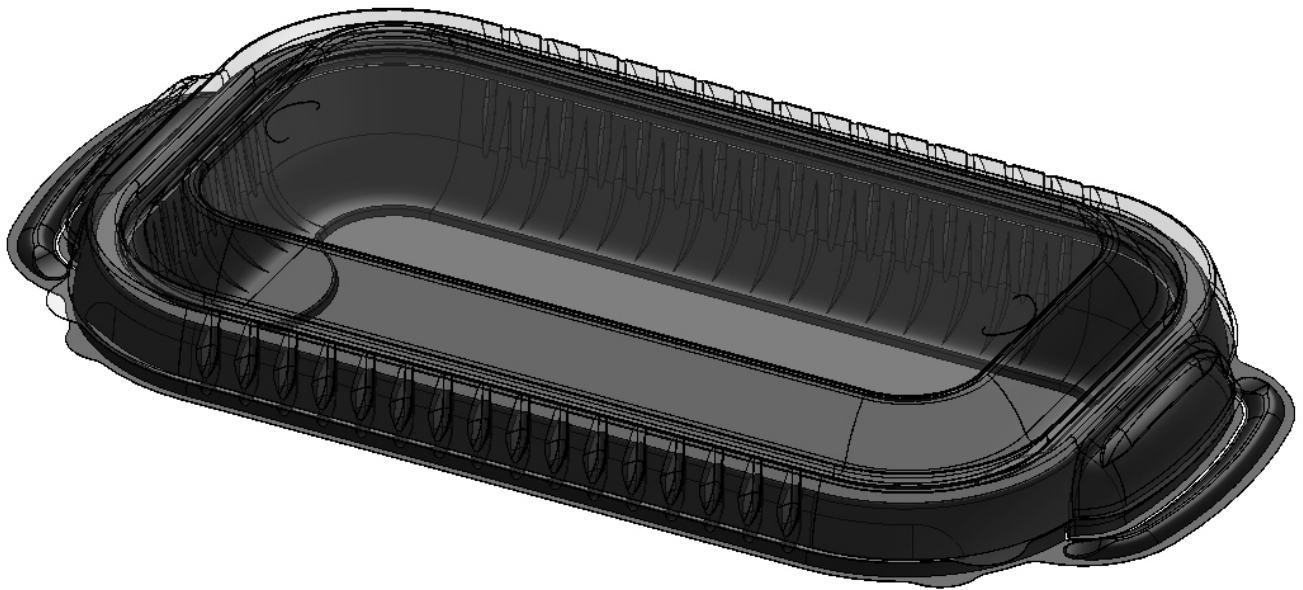


<b>Description</b>	6" x 6" Sandwich Clamshell
<b>Mold Dimensions</b>	11.00" x 5.92" x 1.84"
<b>Material</b>	PET
<b>Gauge</b>	25 mil
<b>Color</b>	Black/Clear
<b>CS Weight</b>	Custom
<b>CS Count</b>	Custom



## **I Comp. Base Combo**

0503-03



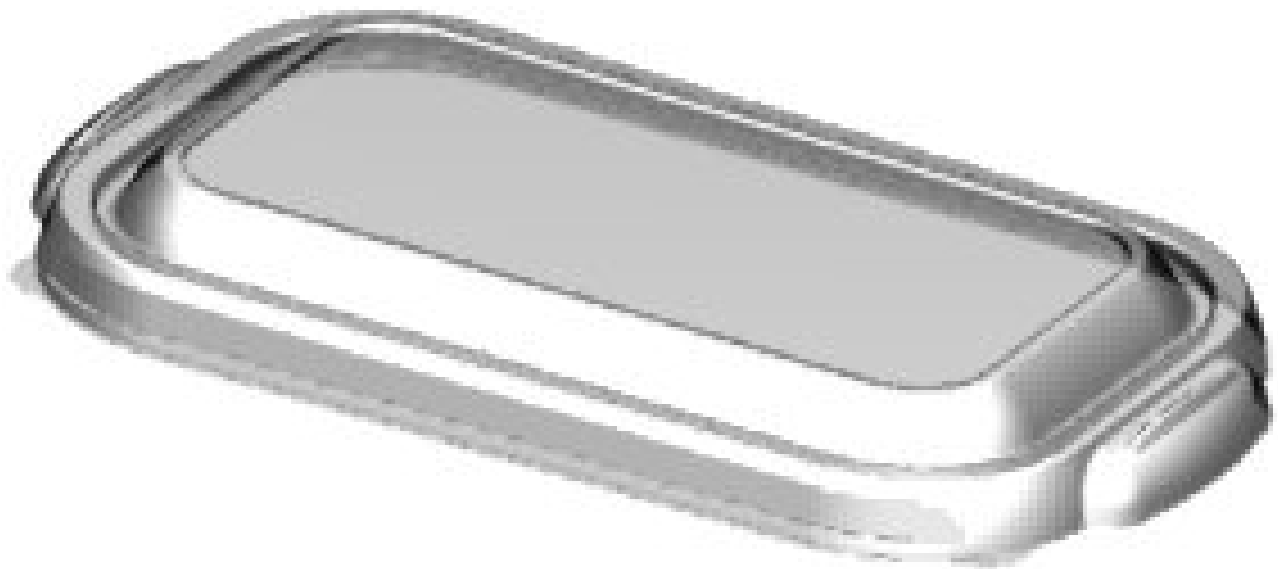
<b>Description</b>	1 Comp. Base Combo
<b>Mold Dimensions</b>	15.76" x 7.99" x 1.78"
<b>Material</b>	PP
<b>Gauge</b>	25 mil
<b>Color</b>	Black
<b>CS Weight</b>	18.5 lbs
<b>CS Count</b>	100 (sets)





## **I Comp. Lid Vent Combo**

0501-03

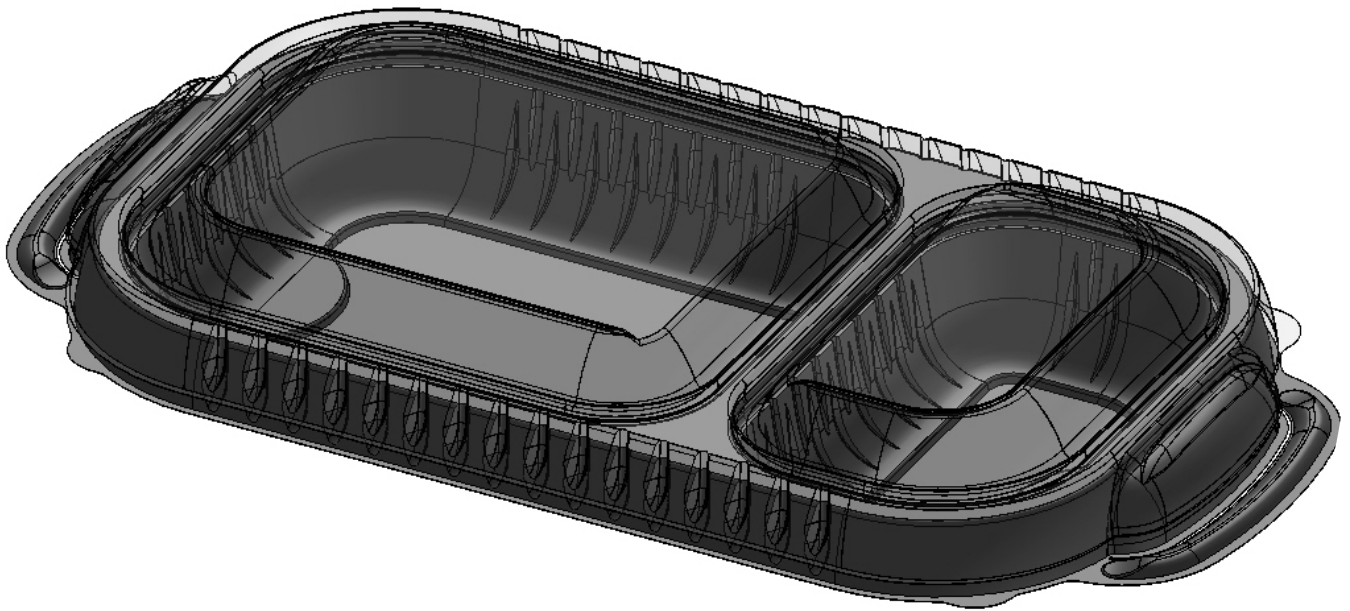


<b>Description</b>	1 Comp. Lid Vent Combo
<b>Mold Dimensions</b>	14.54" x 8.04" x 1.33"
<b>Material</b>	PP
<b>Gauge</b>	20 mil
<b>Color</b>	Natural
<b>CS Weight</b>	18.5 lbs
<b>CS Count</b>	100 (sets)



## 2 Comp. Base Combo

0499-03



<b>Description</b>	2 Comp. Base Combo
<b>Mold Dimensions</b>	15.76" x 7.99" x 1.78"
<b>Material</b>	PP
<b>Gauge</b>	25 mil
<b>Color</b>	Black
<b>CS Weight</b>	18.5 lbs
<b>CS Count</b>	100 (sets)





## 2 Comp. Lid Vent Combo

0497-03

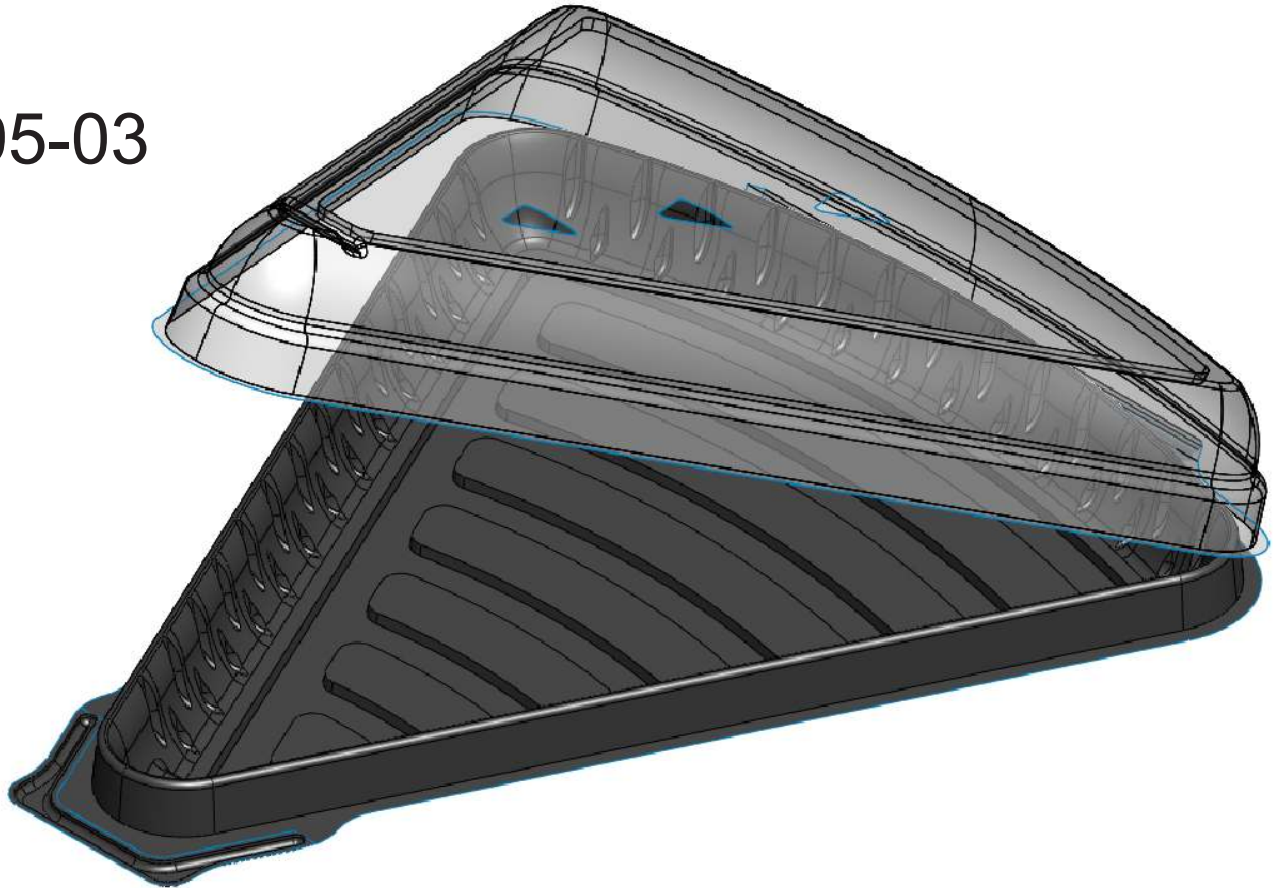


<b>Description</b>	2 Comp. Lid Vent Combo
<b>Mold Dimensions</b>	14.54" x 8.04" x 1.33"
<b>Material</b>	PP
<b>Gauge</b>	20 mil
<b>Color</b>	Natural
<b>CS Weight</b>	18.5 lbs
<b>CS Count</b>	100 (sets)



# Wedge Vent Clamshell

0495-03



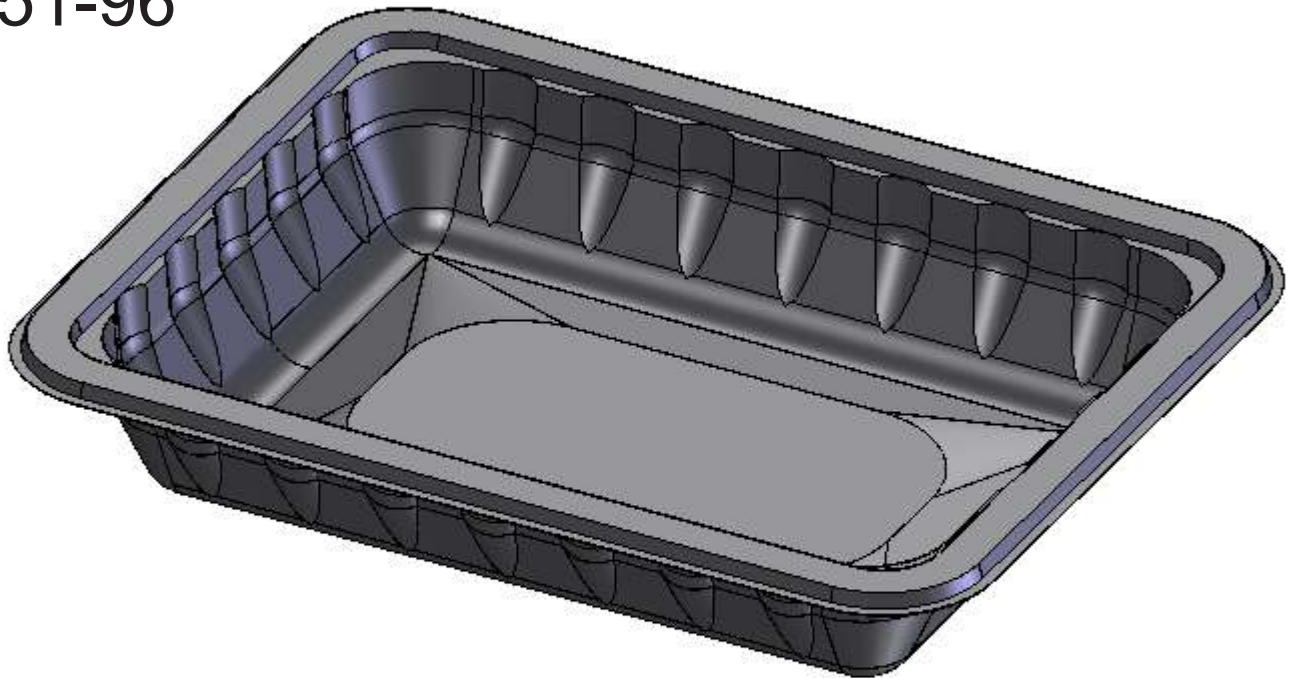
<b>Description</b>	Wedge Vent Clamshell
<b>Mold Dimensions</b>	20.62" x 8.95" x 1.75"
<b>Material</b>	PP
<b>Gauge</b>	20 mil
<b>Color</b>	Black/Clear
<b>CS Weight</b>	9.5 lbs
<b>CS Count</b>	100





## 3 P Tray

2551-96

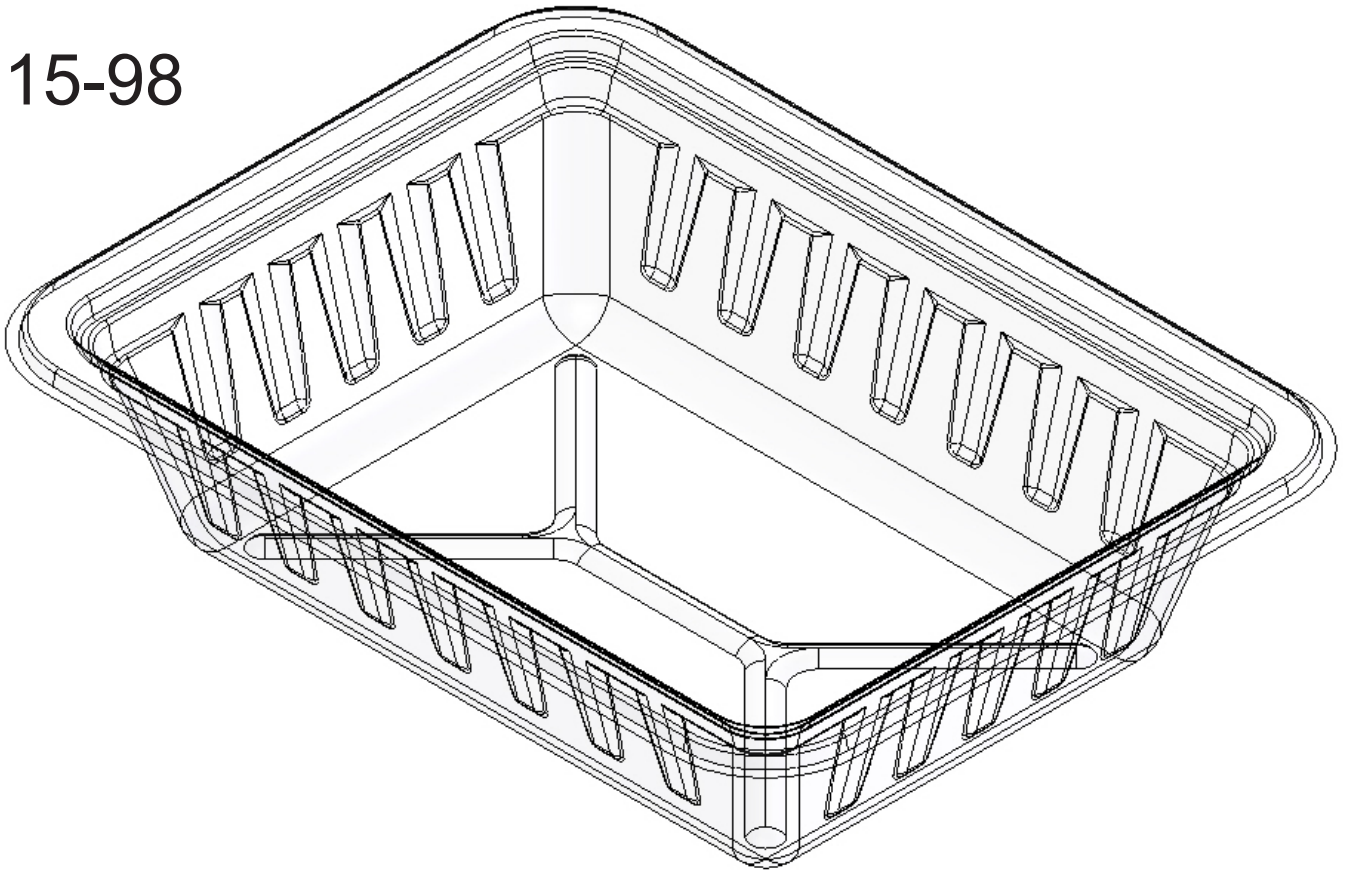


<b>Description</b>	3 P Tray (12 up MM Tool)
<b>Mold Dimensions</b>	8.84" x 6.78" x 1.6"
<b>Material</b>	HIPS
<b>Gauge</b>	20 mil
<b>Color</b>	Black
<b>CS Weight</b>	Custom
<b>CS Count</b>	Custom



## 2# - 3 P Tray (MM Tool)

3115-98



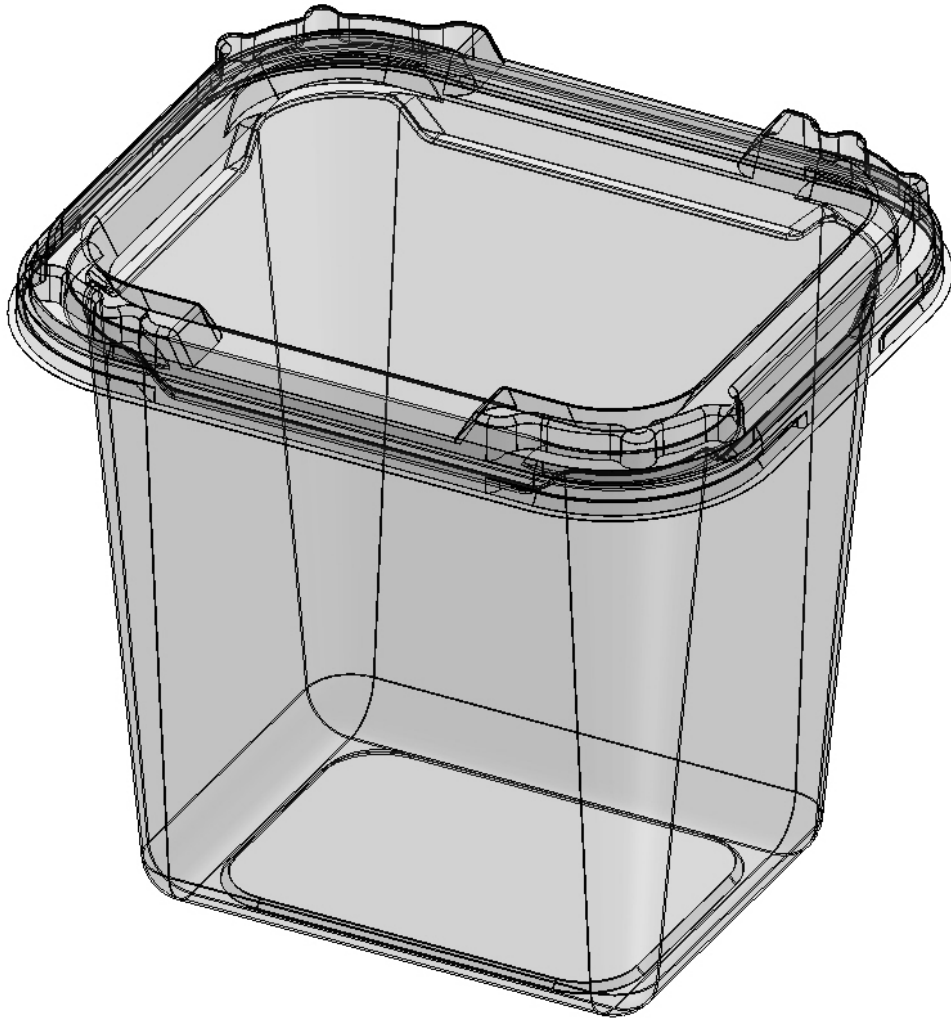
<b>Description</b>	2# - 3P Tray (12 up MM Tool)
<b>Mold Dimensions</b>	8.84" x 6.78" x 1.6"
<b>Material</b>	HIPS or PETG
<b>Gauge</b>	20 mil
<b>Color</b>	White or Clear
<b>CS Weight</b>	Custom
<b>CS Count</b>	Custom





## 48 OZ. Deli Container

2715-07

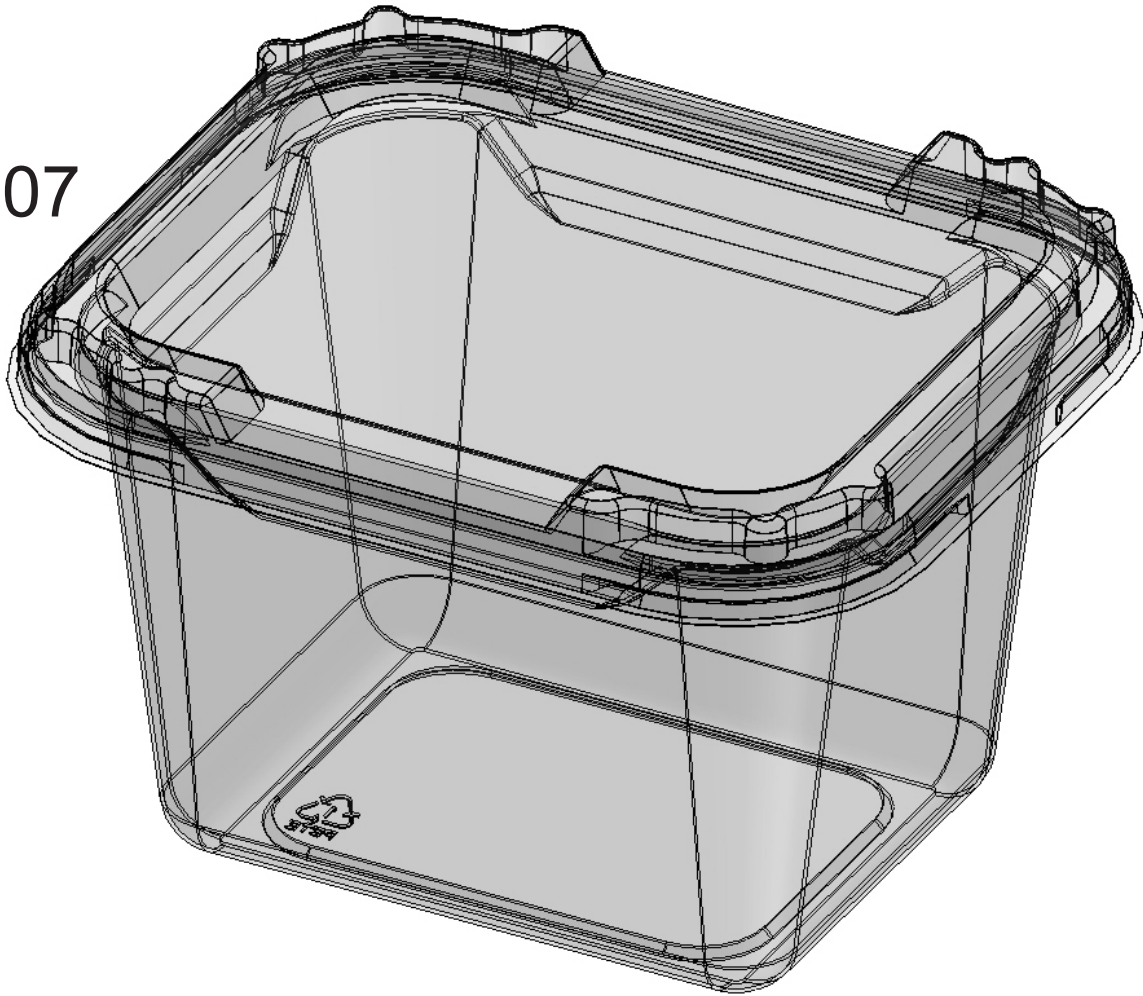


<b>Description</b>	48 oz. Deli Container
<b>Mold Dimensions</b>	6.06" x 5.04" x 5.4"
<b>Material</b>	PET
<b>Gauge</b>	50 mil
<b>Color</b>	Clear
<b>CS Weight</b>	27 lbs
<b>CS Count</b>	276



## 32 OZ. Deli Container

2714-07

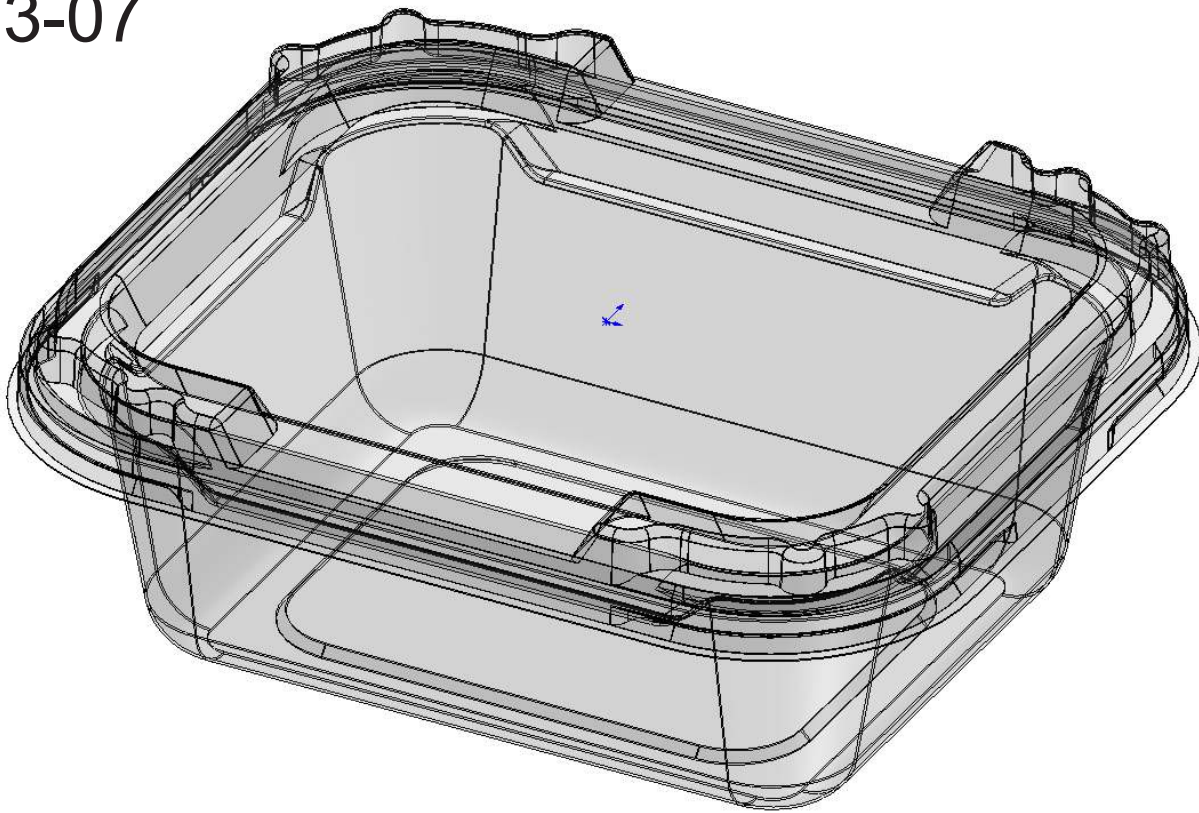


<b>Description</b>	32 oz. Deli Container
<b>Mold Dimensions</b>	6.06" x 5.04" x 3.7"
<b>Material</b>	PET
<b>Gauge</b>	35 mil
<b>Color</b>	Clear
<b>CS Weight</b>	27 lbs
<b>CS Count</b>	420



# 16 OZ. Deli Container

2713-07



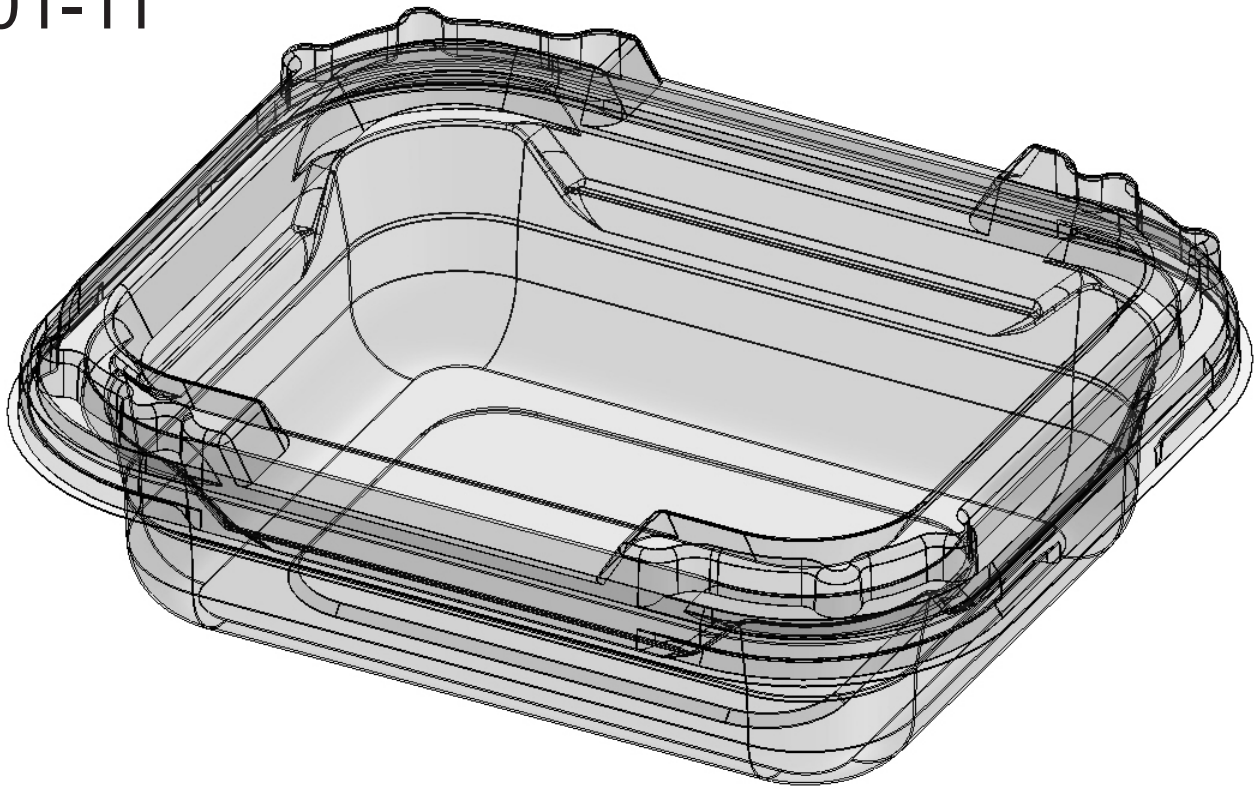
<b>Description</b>	16 oz. Deli Container
<b>Mold Dimensions</b>	6.06" x 5.04" x 2.0"
<b>Material</b>	PET
<b>Gauge</b>	25 mil
<b>Color</b>	Clear
<b>CS Weight</b>	21 lbs
<b>CS Count</b>	480





## 12 OZ. Deli Container

3101-11

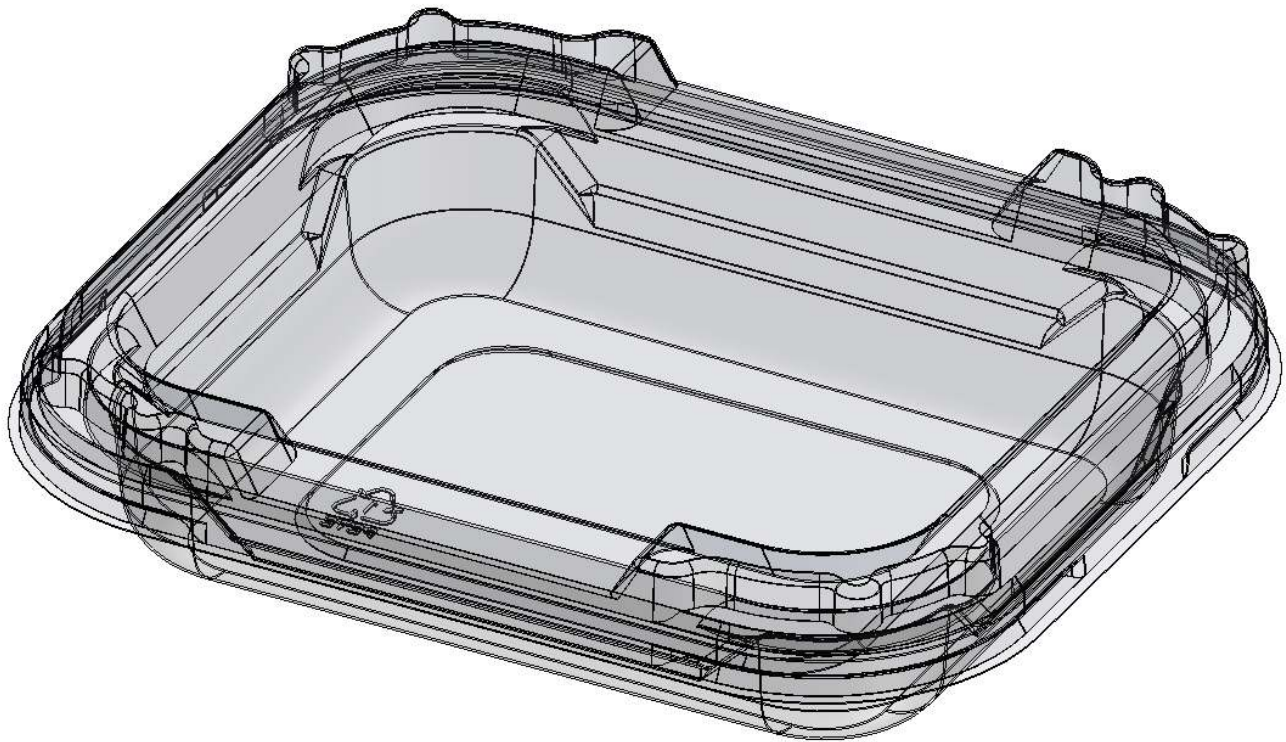


<b>Description</b>	12 oz. Deli Container
<b>Mold Dimensions</b>	6.06" x 5.04" x 1.1"
<b>Material</b>	PET
<b>Gauge</b>	20 mil
<b>Color</b>	Clear
<b>CS Weight</b>	17 lbs
<b>CS Count</b>	480



## 8 OZ. Deli Container

2712-07

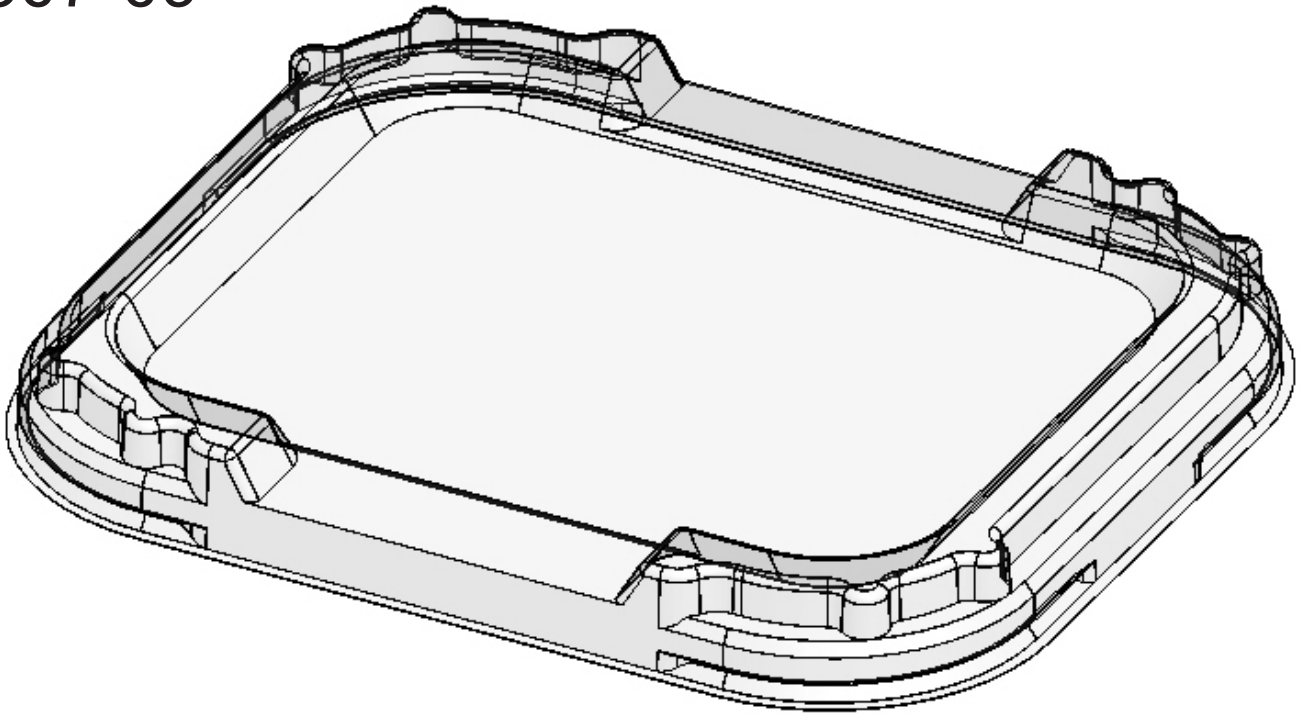


<b>Description</b>	8 oz. Deli Container
<b>Mold Dimensions</b>	6.06" x 5.04" x 1.1"
<b>Material</b>	PET
<b>Gauge</b>	20 mil
<b>Color</b>	Clear
<b>CS Weight</b>	17 lbs
<b>CS Count</b>	498



## Universal Deli Lid

4307-09



<b>Description</b>	Universal Deli Container Lid
<b>Mold Dimensions</b>	6.06" x 5.04" x 1.1"
<b>Material</b>	PET
<b>Gauge</b>	14 mil
<b>Color</b>	Clear
<b>CS Weight</b>	18 lbs
<b>CS Count</b>	702





## Plastic Ingenuity

### PI Stock Deli Packaging

Plastic Ingenuity (PI) has introduced a stock deli line of packaging in addition to its custom thermoformed solutions. These stock products are available in 8 oz., 12 oz., 16 oz., 32 oz., and 48 oz. sizes with one universal lid size. PI manufactures the containers with tolerances that allow them to be run on automated filling equipment, thereby helping to maximize production efficiencies.

PI engineers design the stock packaging to maintain superior sealing, freshness and clarity. The package design capitalizes on industry trends deviating from oval shaped packaging to square and rectangle shapes.

With this rectangular design, deli operators are able to optimize space efficiency in the case or shelf, and consumers will find that square or rectangular packaging fits better in their own home refrigerators. In addition, these packages are stackable and reusable.



Consumers are seeking tamper evident packages that do not include secondary seals which typically makes the package more challenging to open. This stock line has the ability to provide tamper evidence by simply including a single film seal or an ingredient label that can be used to secure the container and provide the tamper evidence.

The clear PI stock packaging allows the product itself to be prominently displayed to the consumer. This type of presentation often leaves the consumer with an impression of a more natural, more fresh, and less processed final product.

Description	Case Count	Case Weight	Case Dimensions
48 oz. Base	276	27	23.25 x 18.75 x 10
32 oz. Base	420	27	23.25 x 18.75 x 10
16 oz. Base	480	21	23.25 x 18.75 x 10
12 oz. Base	480	17	23.25 x 18.75 x 10
8 oz. Base	498	17	23.25 x 18.75 x 10
Universal Lid	702	17	22 x 19.25 x 16



# Stock Deli Packaging

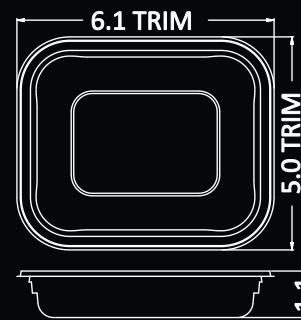
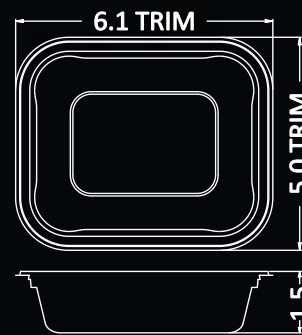
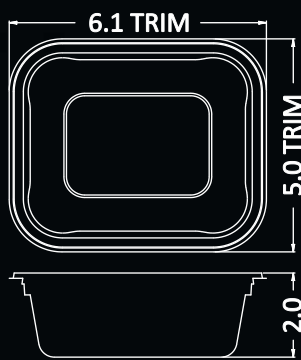
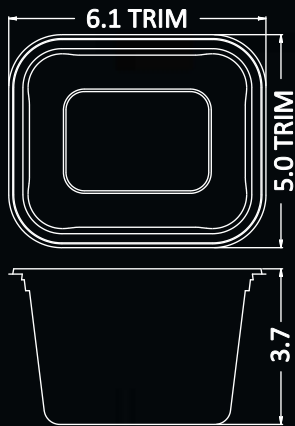
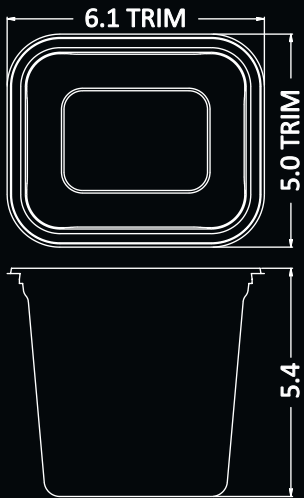
48 OZ.

32 OZ.

16 OZ.

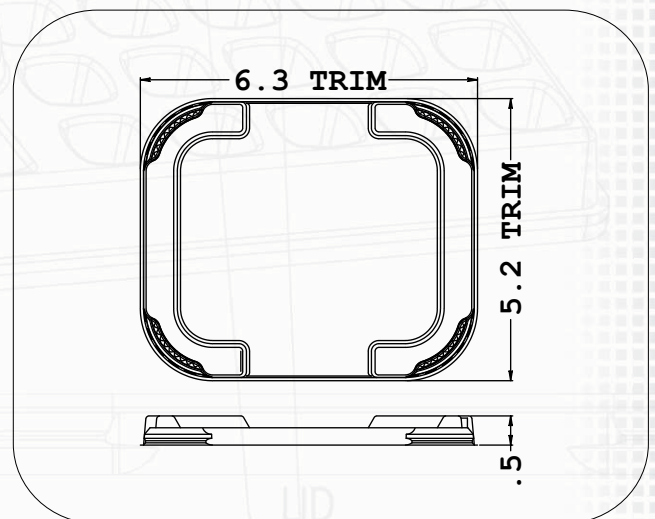
12 OZ.

8 OZ.



## Package Characteristics:

- Stock line consists of 8, 12, 16, 32, 48 oz. containers
- Universal lid
- Efficient space utilization
- Stackable
- Reusable
- Available in FDA approved virgin PET or FDA approved post consumer PET
- Available in PLA
- Film seal capable
- Auto Denest
- Optimized for automated equipment
- Ability to custom engrave for brand recognition



Universal Lid





Plastic Ingenuity  
thermoforming your **vision**

**S**  
**T**  
**O**  
**C**  
**K**

