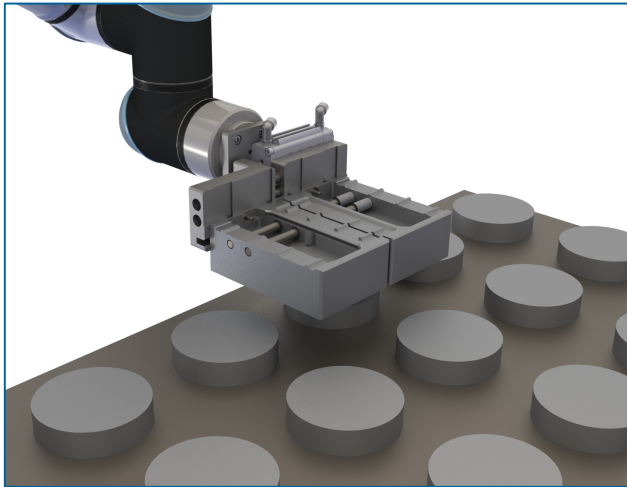
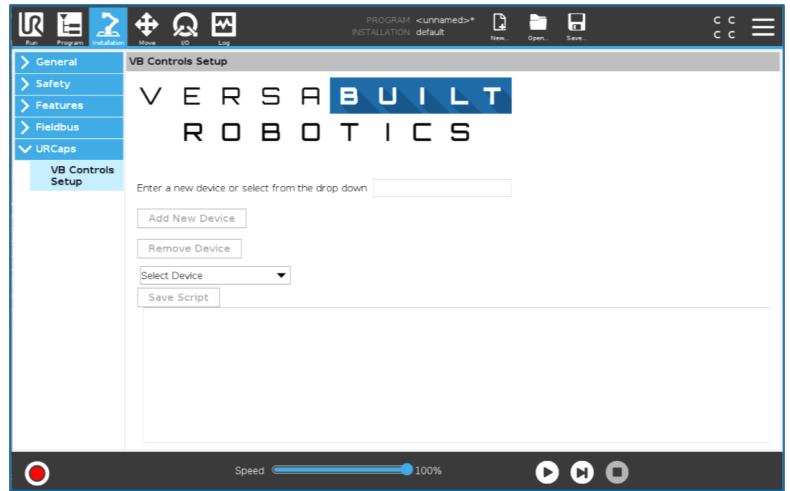


PRODUCT OVERVIEW

VB Controls URCap allows for faster, cleaner and simpler coding of the Universal Robot. The URCap enables the programmer to create a script and save it as a device. The device function is then called in the main program without the need to define it each time its used.



URCAP HIGHLIGHTS

- Less lines of code in the main program
- No need to rewrite the same function each time you use it
- Saves to the installation for use with multiple programs
- Ability to control IOs and any other scripting functions
- Adds the ability to be nested inside subprograms

VB CONTROLS FEATURES

- User defined device name
- User defined device function
- Quick access to function using drop-down menu

EXAMPLE USES

- End of arm control
- Door open/close
- Vise open/close
- Gripper settle sequence

