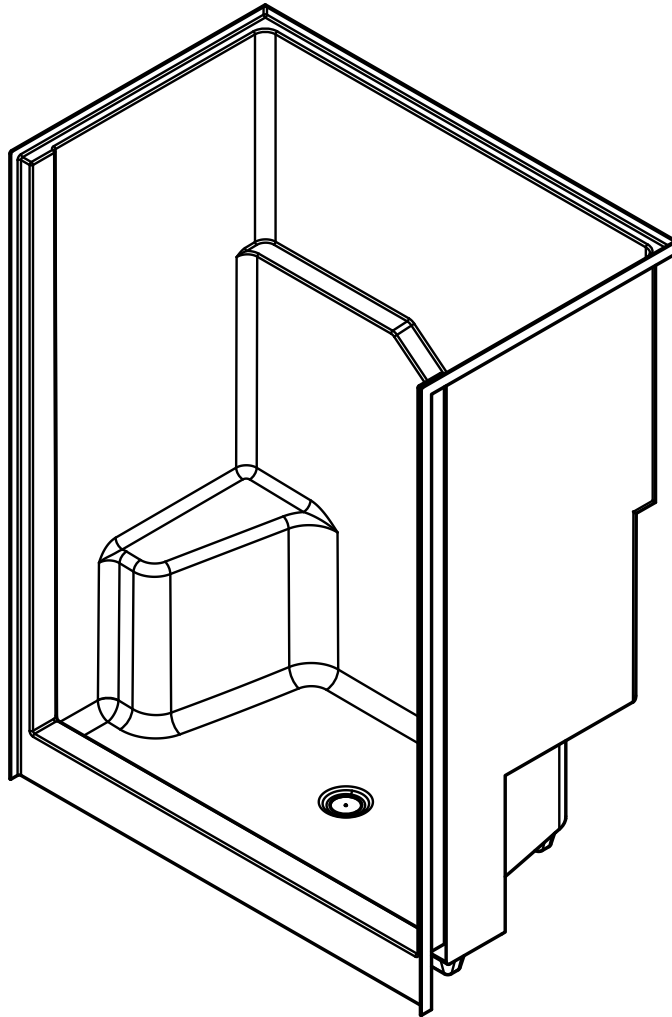


## Model S6037



---

The unit shall be constructed of two layers of fiberglass reinforced composite, an intermediate layer of polyester spray core, and an unsaturated polyester gelcoat finish. The resin used shall meet company standards of glass content and contain the required percentage of calcium sulfate for fire resistance. No wood or cardboard is to be used in the construction of the unit except for handling during manufacturing and protection during shipping. During unit construction, bands of strengthening material shall be added to the side walls and a reinforcing composite plate shall be laminated to the bottom of the structure for increased stability. The unit shall include a slip-resistant floor. The unit shall comply with CSA B45.5 and IAPMO Z124 "Plastic Plumbing Fixtures".

---