



Project Name:		Customer:		Date:	
Quote Number:		Model Number (select from below):		Seat Placement:	N/A
Customization Requested:					

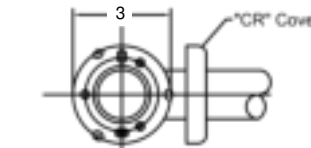
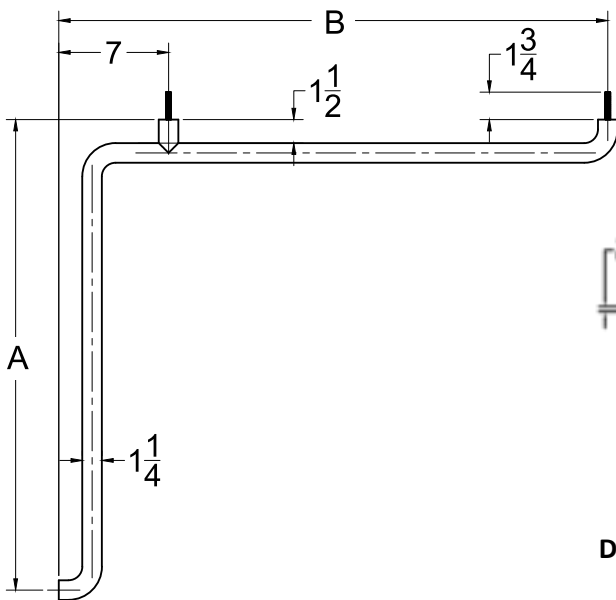
Standard Features and Measurements

- Meets ADA and ANSI requirements for size and strength when installed correctly
- Compatible with EverFab models S3839A, S4452A, S4839A, S6334A, and S6336A

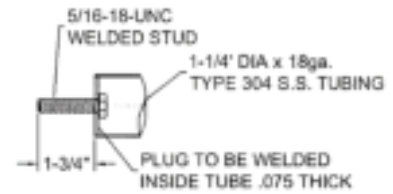
Style:	L-Bar
Material:	Type 304 Stainless Steel
Approximate Weight:	10-16 lbs.

Optional Features

- Available with flanges for in-field installation



Detail of Flanged Option



Detail of Stud



Detail of Internal Nut

Available Configurations



Model Number	Flanges for In-Field Installation	Length of Dimension A	Length of Dimension B
EF-3839-LB	No	33"	18"
EF-3839-LF	Yes	33"	18"
EF-6334-LB	No	28"	37 1/2"
EF-6334-LF	Yes	28"	37 1/2"
EF-6336-LB	No	30"	37 1/2"
EF-6336-LF	Yes	30"	37 1/2"
EF-4452-LB	No	46"	19 1/2"
EF-4452-LF	Yes	46"	19 1/2"

_____	____/____/____	_____	____/____/____
Architect	Date	Engineer	Date
_____	____/____/____	_____	____/____/____
General Contractor	Date	Plumbing Contractor	Date

Please email or fax a signed submittal sheet to the EverFab office to purchase.

Email: info@everfabath.com | Fax: 503.743.8153 | Phone: 503.303.3300 | www.everfabath.com | PO Box 490, Aumsville, OR 97325

Due to the nature of the material all measurements may vary by ± 3/8". Dimensions needed for site preparation should be measured from the unit.