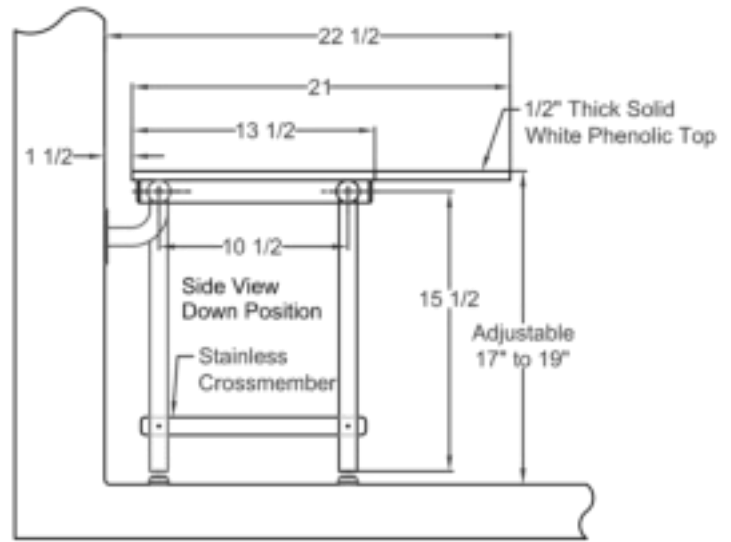
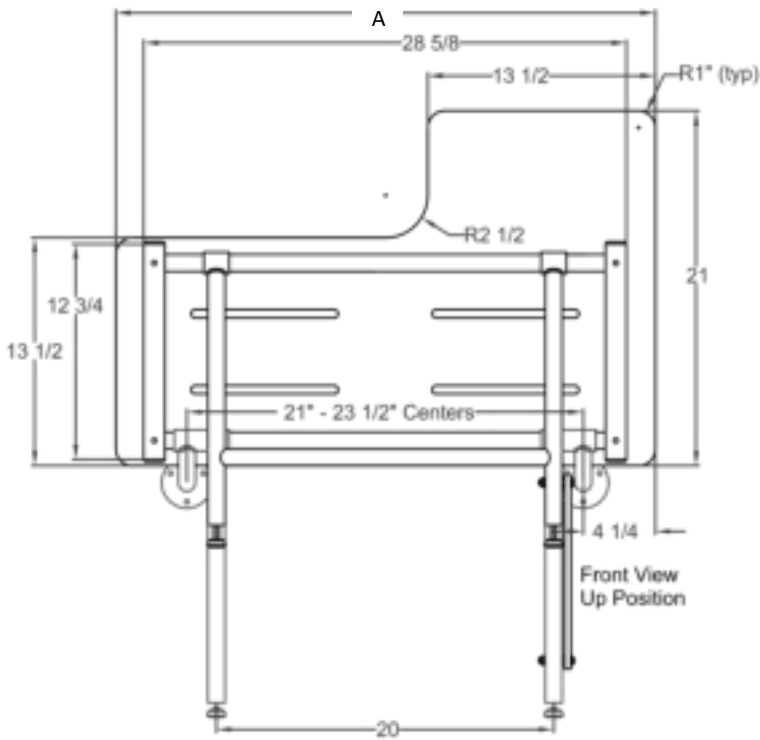


Project Name:		Customer:		Date:	
Quote Number:		Model Number:		Seat Placement:	N/A
Customization Requested:					

### Standard Features and Measurements

- Meets ADA and ANSI requirements for size and strength when installed correctly
- Compatible with EverFab models S3839A, S4452A, S4839A, S6334A, and S6336A
- Reversible-top shower seat with 4 fold-down legs
- Low pressure spring to raise and lower the seat
- Supports 1000 lbs. as verified by independent industry leading lab. See [everfabath.com/test-results](http://everfabath.com/test-results) for complete report

<b>Color:</b>	White
<b>Material:</b>	One-piece phenolic with stainless steel hardware
<b>Approximate Weight:</b>	25 lbs.



### Available Sizes

Model Number	Length of Dimension A
EF-6334-LS	28"
EF-6336-LS	30"
EF-3839-LS	32"
EF-4452-LS	47"

_____	___/___/___	_____	___/___/___
Architect	Date	Engineer	Date
_____	___/___/___	_____	___/___/___
General Contractor	Date	Plumbing Contractor	Date

Please email or fax a signed submittal sheet to the EverFab office to purchase.