

Project Name		Customer Name	
Quote Number		Date	
Customization			

Standard Features

Description	One-piece curbed shower stall
Color	White
Exterior Dimensions	36"W x 37-1/4"D x 79-1/4"H
Materials	Gel coat and fiberglass composite
Approximate Weight	105 lbs

Certifications and Accessibility Code Compliance



Universal
Plumbing Code



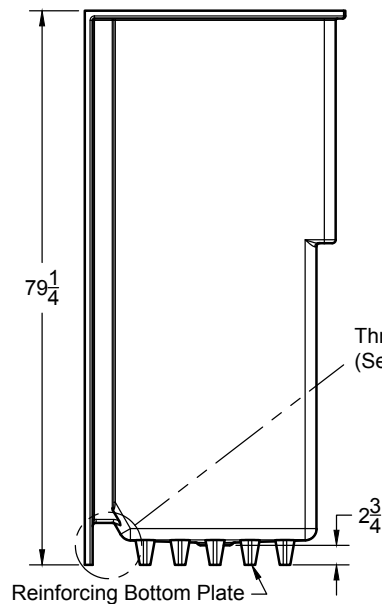
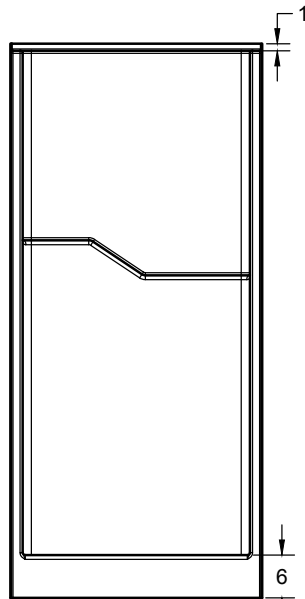
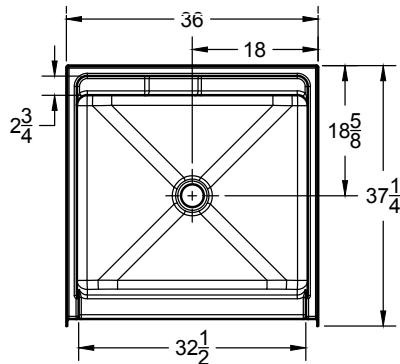
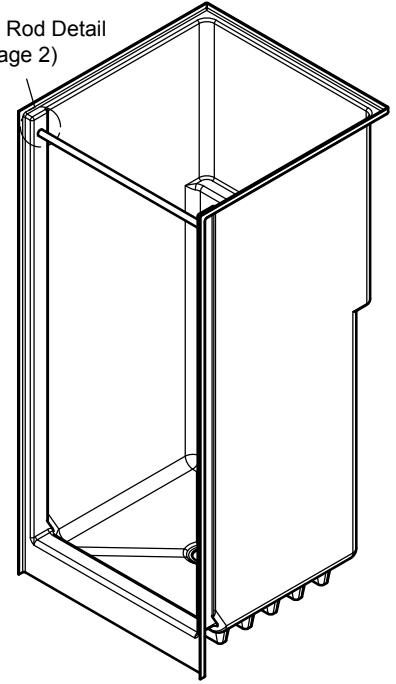
CSA B45.5-11 / IAPMO Z124-
2017



Warranty

30 Year Limited

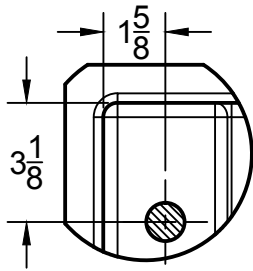
Curtain Rod Detail
(See Page 2)



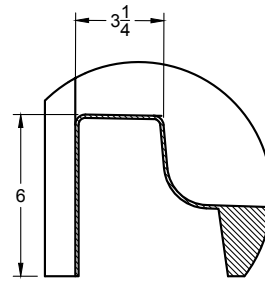
Threshold Detail
(See Page 2)

Due to the nature of the material, all measurements may vary by $\pm 3/8"$.
Dimensions needed for site preparation should be measured from the unit.

Additional Details



Standard Curtain Rod Location



Threshold

Architectural Specifications

A. Shower Stall:

1. Model: No. S3637
2. Description: One-piece shower stall with reinforcing bottom plate and slip-resistant floor
3. Exterior dimensions: 36 inches wide x 37-1/4 inches deep x 79-1/4 inches high
4. Rough-in: +1/8" -0" nominal dimensions
5. Optional Accessories: Furnish with [curtain rod], [shower curtain], [recessed soap dish], [composite corner shelf], [shower slide-bar kit], [EverFab tub-wrap], [shower drain], [18" grab bar], [24" grab bar]. If applicable, please indicate location of additional accessories on drawing
6. Accessory Style: [A0 - No Accessories], [Standard Thru-Bolted], [Flanged], [Elite Series], [Anti-Ligature], [Custom]
7. Accessory Finish: [A0 - No Accessories], [Standard Satin Stainless], [Matte Black], [Polished Stainless] [White], [Custom]

Optional Accessories†

- | | |
|---|---|
| <input type="checkbox"/> Curtain Rod | <input type="checkbox"/> Shower Drain |
| <input type="checkbox"/> Shower Curtain | <input type="checkbox"/> 18" grab bar |
| <input type="checkbox"/> Recessed Soap Dish | <input type="checkbox"/> 24" grab bar |
| <input type="checkbox"/> Composite Corner Shelf | <input type="checkbox"/> Folding seat |
| <input type="checkbox"/> Shower Slide-Bar Kit | <input type="checkbox"/> T-shaped EverDam |
| <input type="checkbox"/> EverFab Tub-Wrap | |

Accessory Style

- Thu-bolted (Standard)
- Flanged
- Elite Series
- Anti-ligature
- Custom, please specify:

Accessory Finish

- Satin Stainless (Standard)
- Matte Black
- Polished Stainless
- White
- Custom, please specify:

†If applicable, please select accessory style and finish from options above. If custom, please also indicate desired location(s) on drawing.