

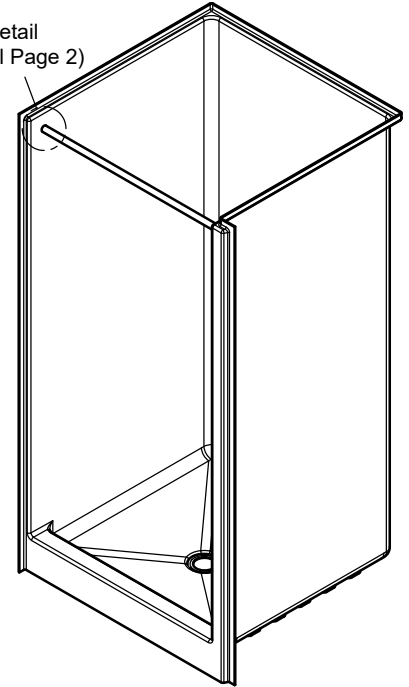
Project Name		Customer Name	
Quote Number		Date	
Left or Right Flange Placement*			
Customization			

*Flange placement determined as if standing outside the unit looking in

Standard Features

Type	One-piece curbed shower stall
Color	White
Exterior Dimensions	38-1/4"W x 38-1/2"D x 79-1/4"H
Materials	Gel coat and fiberglass composite
Approximate Weight	115 lbs

Curtain Rod Detail
(See Submittal Page 2)



Certifications and Accessibility Code Compliance



Universal
Plumbing Code



CSA B45.5-11 / IAPMO Z124-
2017



HUD / FHA

ANSI

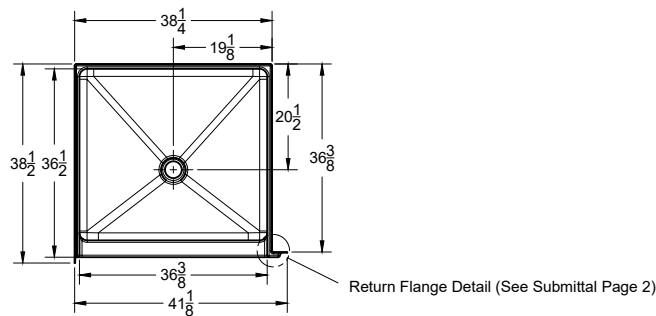
ICC A117.1 - 2017
ANSI Type B

Warranty

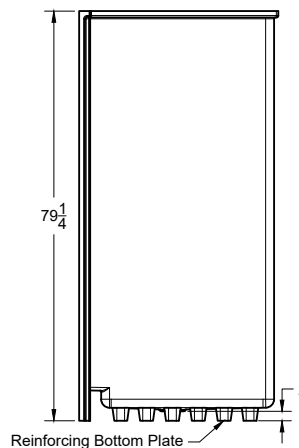
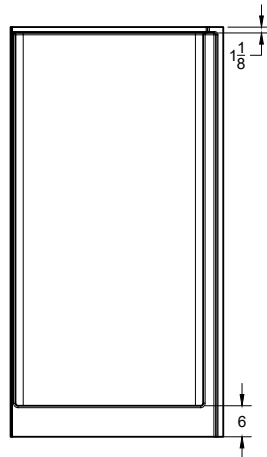
30 Year Limited

Reinforcement

Reinforced with EverFab's unique composite core material according to FHA and ANSI Type B Unit requirements

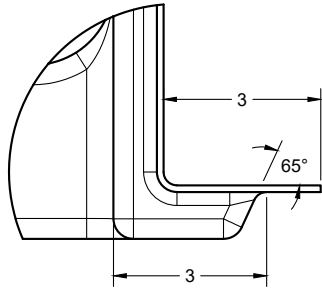


Return Flange Detail (See Submittal Page 2)

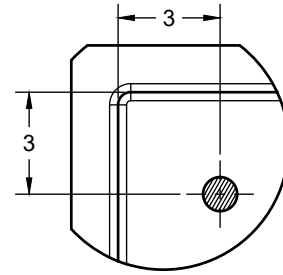


Due to the nature of the material, all measurements may vary by $\pm 3/8"$.
Dimensions needed for site preparation should be measured from the unit.

Additional Details



Return Flange



Standard Curtain Rod Location

Architectural Specifications

A. Shower Stall:

1. Model: No. S3839RFB
2. Description: One-piece shower stall with reinforcing bottom plate, slip-resistant floor, and inorganic composite reinforcement capable of meeting FHA and ANSI Type B Unit accessibility requirements
3. Exterior dimensions: 38-1/4 inches wide x 38-1/2 inches deep x 79-1/4 inches high
4. Optional Accessories: Furnish with [curtain rod], [shower curtain], [recessed soap dish], [shower slide-bar kit], [EverFab tub-wrap], [shower drain]

Optional Accessories

- Curtain Rod
- Shower Curtain
- Recessed Soap Dish
- Shower Slide-Bar Kit
- EverFab Tub-Wrap
- Shower Drain