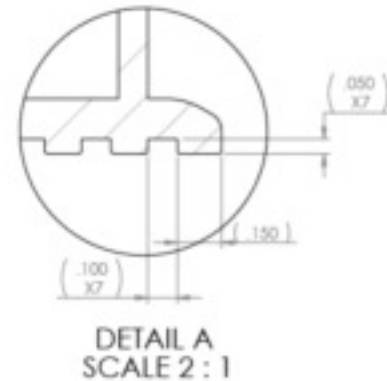
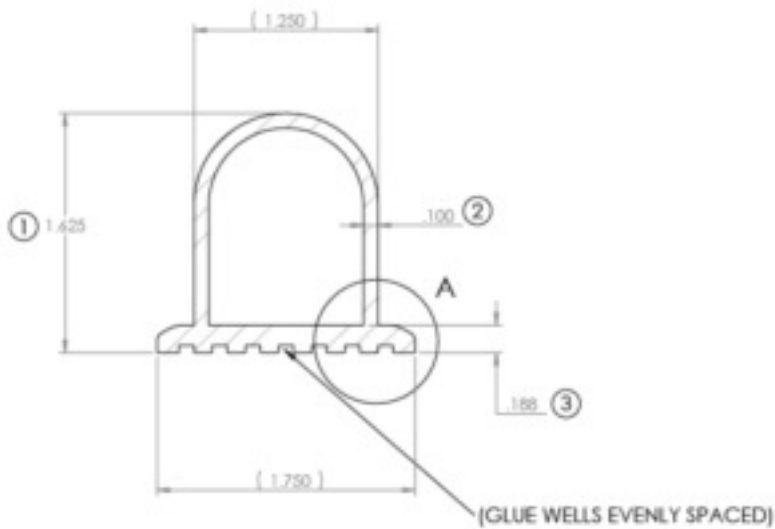


Project Name:		Customer:		Date:	
Quote Number:		Model Number:	EF-0000-SG	Seat Placement:	N/A
Customization Requested:					

Standard Features and Measurements

- Rubber splashguard that can be cut to fit
- Compatible with all EverFab showers

Color:	White
Ext. Dimensions:	1 3/4" W x 61" L x 1 5/8" H
Material:	60 Shore A Silicone
Approximate Weight:	3 lbs.



_____	__/__/__	_____	__/__/__
Architect	Date	Engineer	Date
_____	__/__/__	_____	__/__/__
General Contractor	Date	Plumbing Contractor	Date

Please email or fax a signed submittal sheet to the EverFab office to purchase.