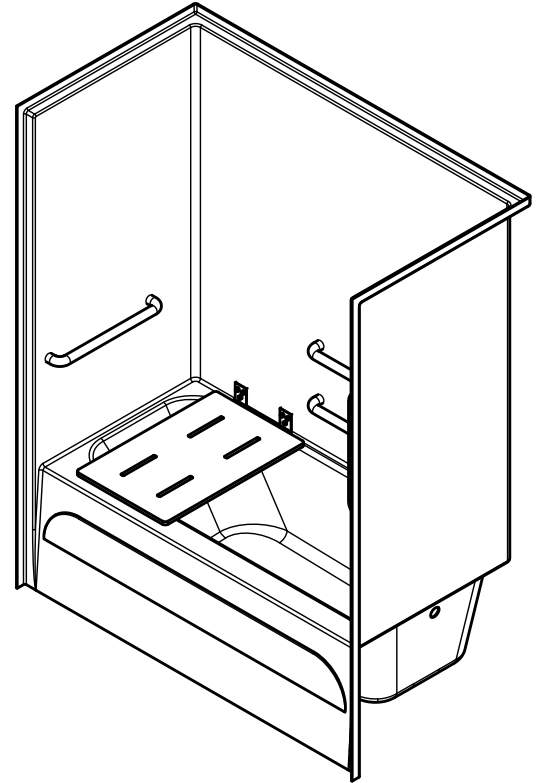


Project Name		Customer Name	
Quote Number		Date	
Customization			

### Standard Features

<b>Type</b>	One-piece tub-shower stall with above floor plumbing. Available in left or right hand configuration.
<b>Color</b>	White
<b>Exterior Dimensions</b>	60"W x 32"D x 74-1/2"H
<b>Materials</b>	Gel coat and fiberglass composite
<b>Approximate Weight</b>	130 lbs



### Certifications and Accessibility Code Compliance



Universal  
Plumbing  
Code



CSA B45.5-11 / IAPMO  
Z124-2017



ADA



HUD / FHA



California  
Title 24

**ANSI**

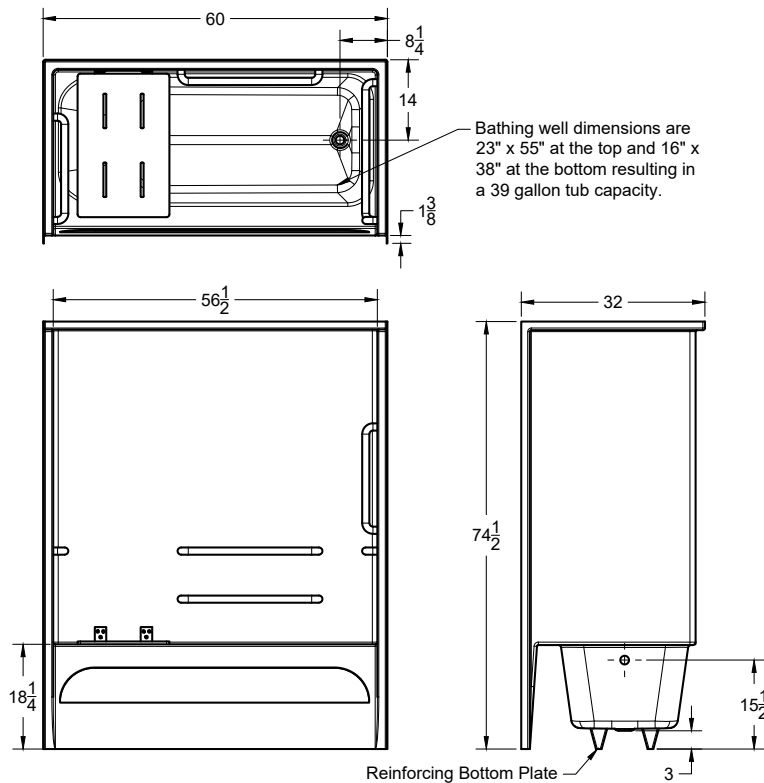
ICC A117.1  
- 2017 ANSI  
Type A

### Warranty

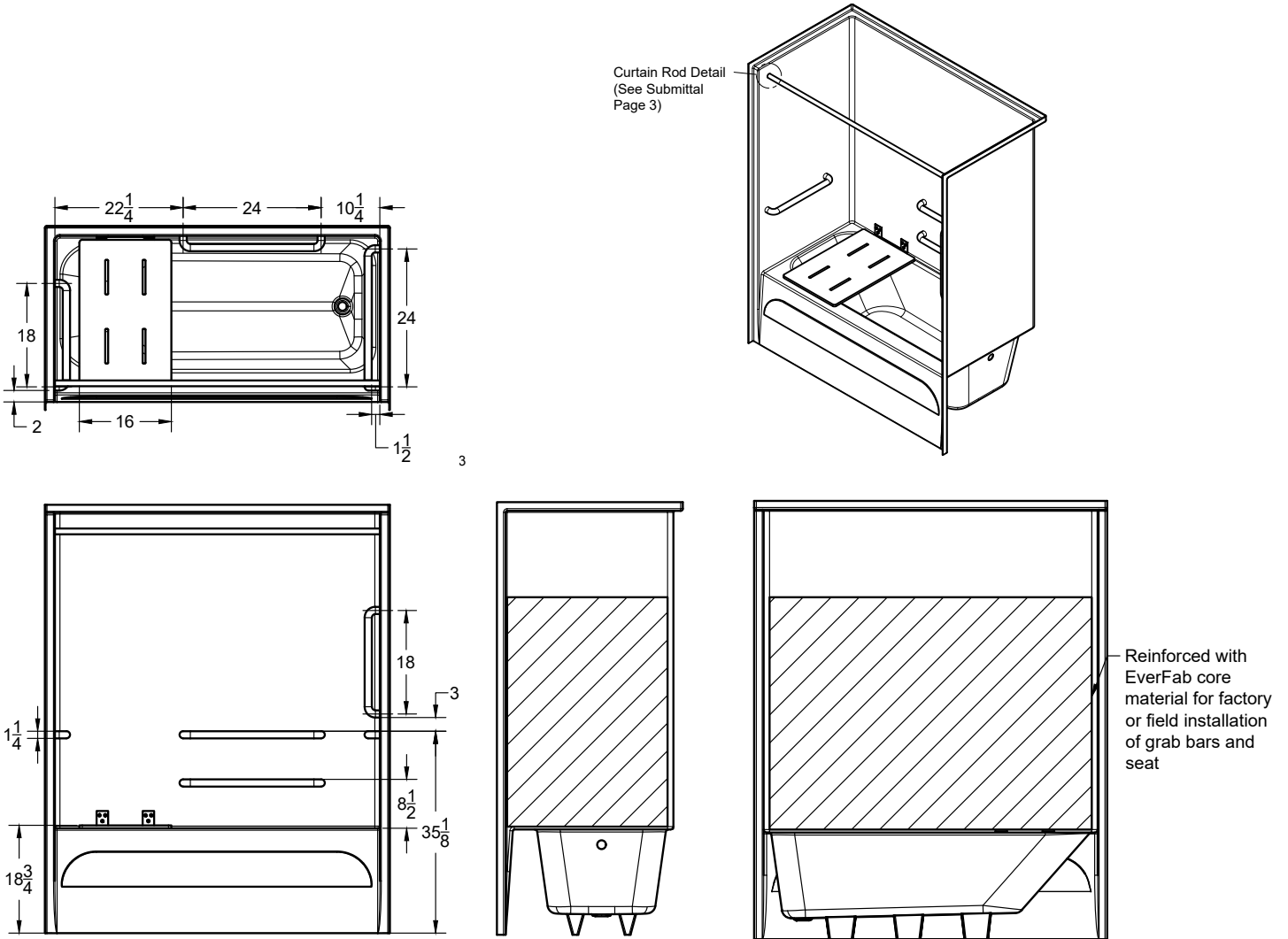
30 Year Limited

### Reinforcement

Fully reinforced with EverFab's unique composite core material which allows for factory or field installation of ADA compliant grab bars and seat



## ADA Accessory Dimensions

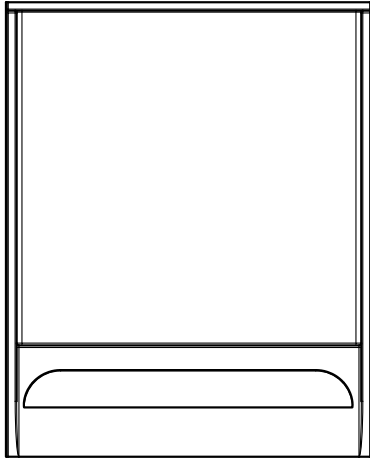


## Architectural Specifications

### A. Shower Stall:

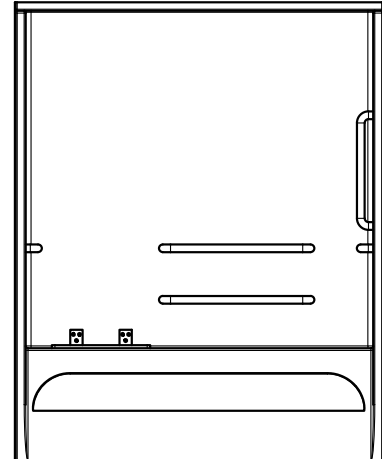
1. Model: No. TS6032TA-L/R
2. Description: One-piece tub-shower stall with reinforcing bottom plate, slip-resistant floor, and inorganic composite reinforcement for placement of grab bars and seat
3. Exterior dimensions: 60 inches wide x 32 inches deep x 74-1/2 inches high
4. Rough-in: +1/8" -0" nominal dimensions
5. Optional Accessories: Furnish with [curtain rod], [shower curtain], [recessed soap dish], [composite corner shelf], [shower slide-bar kit], [EverFab tub-wrap], [shower drain], [18" grab bar], [24" grab bar], [folding seat]. If applicable, please indicate location of additional accessories on drawing
6. Accessory Style: [A0 - No Accessories], [Standard Thru-Bolted], [Flanged], [Elite Series], [Anti-Ligature], [Custom]
7. Accessory Finish: [A0 - No Accessories], [Standard Satin Stainless], [Matte Black], [Polished Stainless] [White], [Custom]

**ADA Accessory Configurations (number following 'A' indicates configuration)**



**TS6032A0-R**

No Accessories



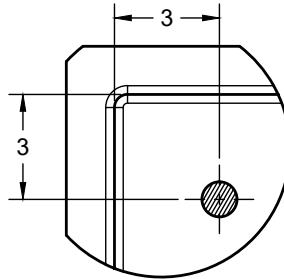
**TS6032A1-R**

[4] 18-24" horizontal grab bars

Seat

18" vertical grab bar

**Additional Details**



**Standard Curtain Rod Location**

### Standard Threshold Models

Model Number	(4) Pre-Installed 18-24" Horizontal Grab Bars	Pre-Installed 18" Vertical Grab Bar	Pre-Installed Folding Seat	Accessibility Code Compliance
<input type="checkbox"/> TS6032A0	No	No	No	Adaptable**
<input type="checkbox"/> TS6032A1	Yes	Yes	Yes	ADA, HUD/FHA, ANSI, CA Title 24

\*\*Model is reinforced and capable of meeting accessibility code requirements with proper field-installation of grab bars and seat

### Drain Placement (indicated by '-L' or '-R' following model number)\*

- Left Hand  Right Hand

\*Drain placement is determined as if outside the unit looking in. For clarity, a right hand model is shown in all drawings.

### Optional Accessories†

- |   |   |
|---|---|
| <input type="checkbox"/> Curtain Rod            | <input type="checkbox"/> Shower Drain                     |
| <input type="checkbox"/> Shower Curtain         | <input type="checkbox"/> 18" grab bar                     |
| <input type="checkbox"/> Recessed Soap Dish     | <input type="checkbox"/> 24" grab bar                     |
| <input type="checkbox"/> Composite Corner Shelf | <input type="checkbox"/> Custom grab bar, please specify: |
| <input type="checkbox"/> Shower Slide-Bar Kit   | <input type="checkbox"/> Folding seat                     |
| <input type="checkbox"/> EverFab Tub-Wrap       |   |

### Accessory Style

- Thu-bolted (Standard)  
 Flanged  
 Elite Series  
 Anti-ligature  
 Custom, please specify:

### Accessory Finish

- Satin Stainless (Standard)  
 Matte Black  
 Polished Stainless  
 White  
 Custom, please specify:

†If applicable, please select accessory style and finish from options above. If custom, please also indicate desired location(s) on drawing.