

Pump Details

- Magnetic Coupled External Gear Pump
- Non-Pulsing Flow
- Positive Displacement
- Accurate
- Leak Free
- Chemical Resistant
- Long Life



Applications

Tuthill Pump Group specializes in OEM applications. All pumps have a wide range of options. Consult factory for other options and performance requirements. Laboratory Equipment, Water Purification, Water Treatment, Lubrication, Fluid Transfer, Recirculation, Cooling, Chemical Metering, Fluid Sampling, Temperature Control, Additive Delivery, Proportioning, Chemical Handling, Oil Filtration, Acids, Heat Transfer, X-Ray Equipment, etc.

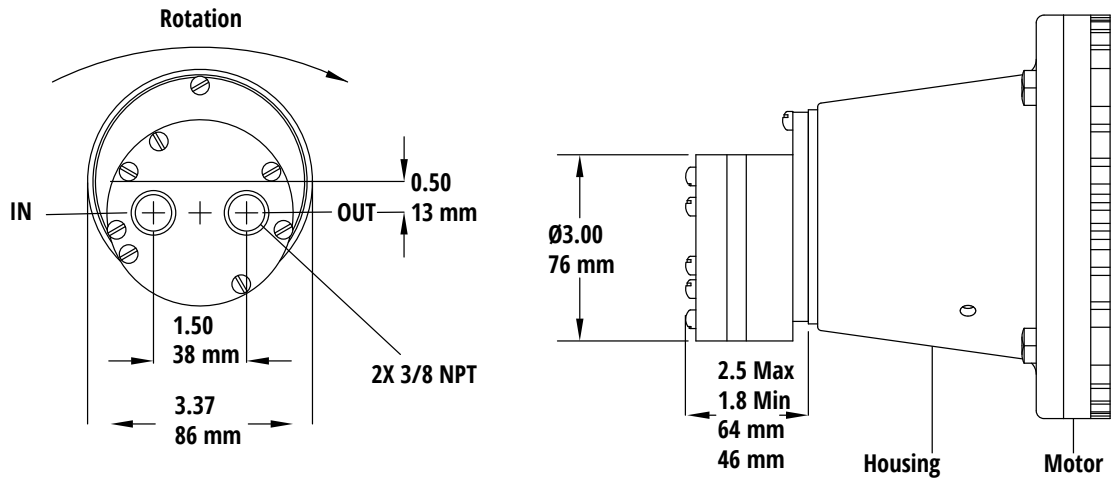
General Specifications

Flow Rates	< 20 to 650 GPH (< 75 to 2460 LPH)	Metal Wetted Parts	316 Stainless Steel, Titanium, or Hastelloy C276
Temperatures	-50 to 350°F (-46 to 176°C)	Ports	3/8 - 18 NPT; T2.6, T5.3, & T7.9 3/4 - 14 NPT Inlet & 1/2 - 14 NPT Outlet, T8.0 & T12.0 only
Differential Pressures	250 PSI (17.2 bar)	Speed	5,000 RPM maximum
System Pressures	500 PSI (34.5 bar)	Service Life	Up to 20,000 hours + based on water
Viscosity	0.3 to 2000 cps +	Suction Vacuum	28.5 " Hg (724 mm Hg)
Magnet Torque	240 to 460 in-oz	Self Priming	Yes, wetted
Magnet Materials	Samarium Cobalt	Size	3" diameter pumphead

Flow @ 3500 RPM

Model ml/rev	GPH @ 0 PSI	LPH @ 0 bar	GPH @ PSI Differential Pressure	LPH @ bar Differential Pressure	Continuous Duty Limit		Intermittent Duty Limit	
					PSI	bar	PSI	bar
2.6	137	518	114 @ 150	431 @ 10.3	150	10.3	250	17.2
5.3	279	1056	249 @ 100	942 @ 6.9	100	6.9	145	10
7.9	416	1575	384 @ 70	1453 @ 4.8	70	4.8	95	6.6
8.0	421	1593	353 @ 150	1336 @ 10.3	125	8.6	150	10.3
12.0	650	2460	600 @ 100	2270 @ 6.9	100	6.9	120	8.2

Performance Estimate Based on 68°F (20°C) Clean Deionized Water @ 1.0 centipoise fluid viscosity



Materials of Construction

Metal Wetted Parts	316 Stainless Steel, Hastelloy C276, or Titanium
Gears & Bearings	PPS (Polyphenylene Sulfide), PEEK (Polyetheretherketone), or PTFE
O-Rings	Viton, PTFE, or EPR
Ports	3/8-18 NPT; T2.6, T5.3 & T7.9 3/4-14 NPT Inlet & 1/2-14 NPT Outlet; T8.0 & T12. only
Magnet Shrouds	PPS, PEEK, Encapsulated Samarium Cobalt, or Welded Samarium Cobalt
Magnet Torque	240 in-oz or 460 in-oz
Suction Vacuum	Pumps self prime when wetted with operating fluid to 28.5 Hg" (724mm Hg). Dry lift not recommended. Fluid viscosity, temperature and pressure may affect the performance.
Motors	AC, DC, Air, Variable Speed or Motor Mate Adapter Kits
Operating Temperatures above 140 °F (60 °C)	In the T Series Product line Tuthill offers special sizing options for operating at temperatures above 140°F (60 °C). These may reduce flow or pressure. Consult factory for details.
Gear & Bearing Material Temperature Limit	PPS limits are approximately 250 °F (121 °C). Peek, Carbon, and Metal limits are approximately 350°F (176 °C). For temperatures above 250 °F (121 °C) Carbon bearings should be selected.

