



H: 76 (3)
W: 76 (3)
D: 166 (6.54)
CH: 38 (1.5)
CW: 38 (1.5)

150kVAR; (1)CSP150

1.2
kW
2.4
kW
150 - 400
kHz

H: 102 (4)
W: 102 (4)
D: 178 (7)
CH: 62 (2.43)
CW: 51 (2)

150kVAR; (1) CSM150

1.2
kW
150 - 400
kHz

H: 102 (4)
W: 102 (4)
D: 238 (9.36)
CH: 62 (2.43)
CW: 51 (2)

300kVAR; (2) CSP150

2.4
kW
150 - 400
kHz

H: 146 (5.74)
W: 130 (5.12)
D: 286 (11.26)
CH: 83 (3.27)
CW: 65 (2.56)

400kVAR; (1) CPRI400

4.2
kW
6
kW
9
kW
10
kW
150 - 400
kHz

H: 146 (5.74)
W: 130 (5.12)
D: 286 (11.26)
CH: 83 (3.27)
CW: 65 (2.56)

800kVAR; (2) CPRI400

4.2
kW
6
kW
9
kW
10
kW
150 - 400
kHz

H: 152 (6)
W: 152 (6)
D: 305 (12)
CH: 102 (4)
CW: 76 (3)

1600kVAR; (4) CPRI400

10
kW
15
kW
30
kW
45
kW
50 - 150
kHz

H: 229 (9)
W: 203 (8)
D: 457 (18)
CH: 111 (4.39)
CW: 97 (3.81)

3200kVAR; (8) CPRI400

45
kW
65
kW
90
kW
135
kW
180
kW
225
kW
270
kW
50 - 150
kHz

H: 194 (7.64)
W: 314 (12.4)
D: 508 (20)
CH: 81 (3.2)
CW: 157 (6.19)

2000kVAR; (4) C500T

20
kW
35
kW
50
kW
75
kW
100
kW
125
kW
15 - 40
kHz

20
kW
35
kW
50
kW
75
kW
100
kW
125
kW
5 - 15
kHz

H: 358 (14.1)
W: 354 (13.9)
D: 609 (24)
CH: 172 (6.8)
CW: 177 (6.9)

4000kVAR; (8) C500T

75
kW
100
kW
125
kW
200
kW
250
kW
300
kW
375
kW
500
kW
15 - 40
kHz

75
kW
100
kW
125
kW
200
kW
250
kW
300
kW
375
kW
500
kW
5 - 15
kHz

Workhead Guide

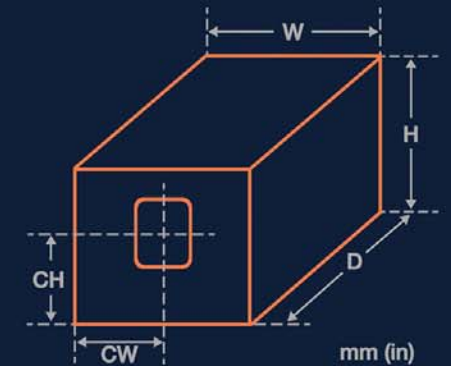
Workhead Guide

411-0171-00 Rev. C

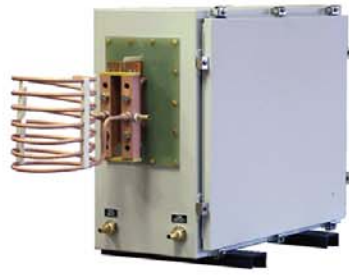
workheads ganged



Experience the Excellence.™



1 oil-filled capacitor



H: 648 (25.5)
W: 334 (13.2)
D: 906 (35.7)
CH: 422 (16.61)
CW: 152 (6)

1800 kVAR; 10uF @1000V
2400 kVAR; 5uF @1600V

2130 kVAR; 53.6uF @800V

1200 kVAR; 40.7uF @1250V

2 oil-filled capacitors



H: 711 (28)
W: 914 (36)
D: 930 (36.6)
CH: 480 (18.9)
CW: 419 (16.5)

3600 kVAR; 20uF @1000V
4800 kVAR; 10uF @1600V

4260 kVAR; 107.2uF @800V
4260 kVAR; 26.8uF @1600V

2400 kVAR; 81.4uF @1250V
2400 kVAR; 20.3uF @2500V

3 oil-filled capacitors



H: 711 (28)
W: 914 (36)
D: 1387 (54.6)
CH: 480 (18.9)
CW: 457 (18)

5400 kVAR; 30uF @1000V
7200 kVAR; 15uF @1600V

6390 kVAR; 160.8uF @800V

3600 kVAR; 122.1uF @1250V

4 oil-filled capacitors



H: 711 (28)
W: 914 (36)
D: 1387 (54.6)
CH: 480 (18.9)
CW: 457 (18)

7200 kVAR; 40uF @1000V
9600 kVAR; 20uF @1600V

8520 kVAR; 214.4uF @800V
8520 kVAR; 53.6uF @1600V

4800 kVAR; 162.8uF @1250V
4800 kVAR; 40.7uF @2500V

6 oil-filled capacitors



H: 711 (28)
W: 914 (36)
D: 1844 (72.6)
CH: 607 (23.9)
CW: 457 (18)

10800 kVAR; 60uF @1000V
14400 kVAR; 30uF @1600V

12780 kVAR; 321.6uF @800V
12780 kVAR; 80.4uF @1600V

7200 kVAR; 244.2uF @1250V
7200 kVAR; 61.1uF @2500V



Workhead Guide

411-0171-00 Rev. C



Experience the Excellence.™

