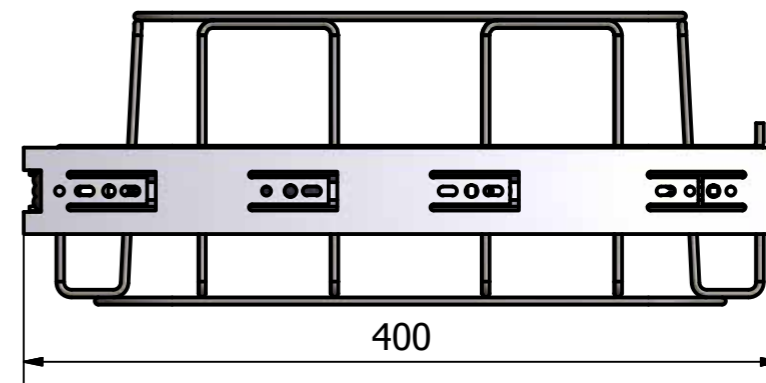
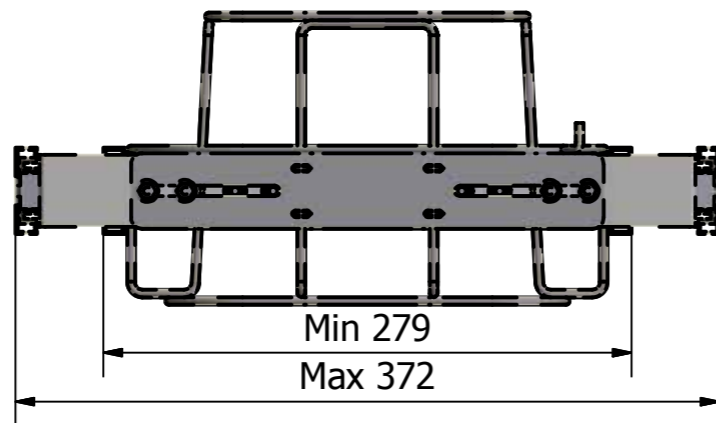


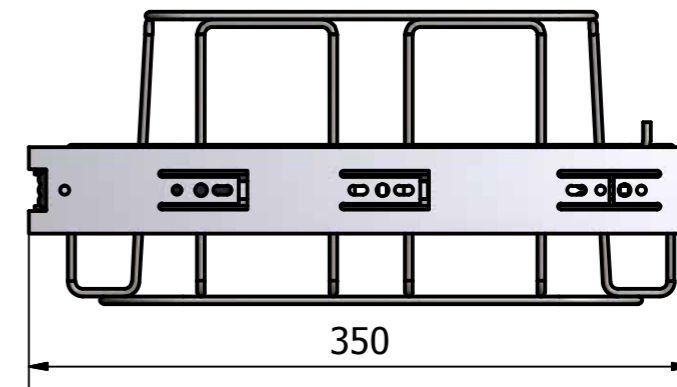
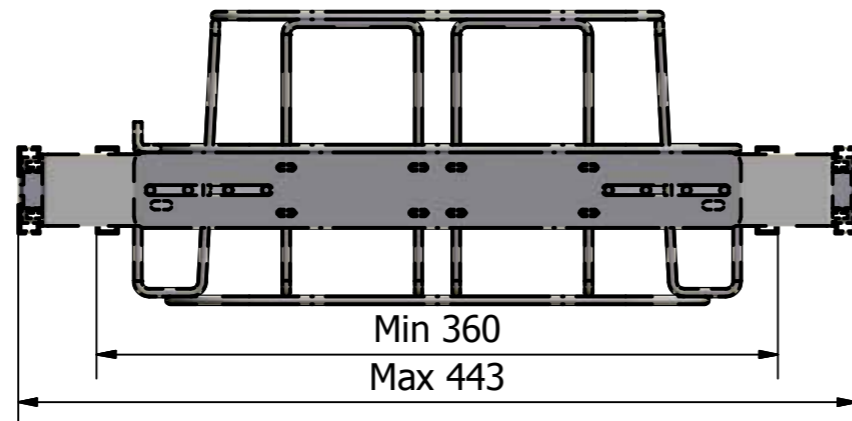
# Mini Slim

Inkast 164x284



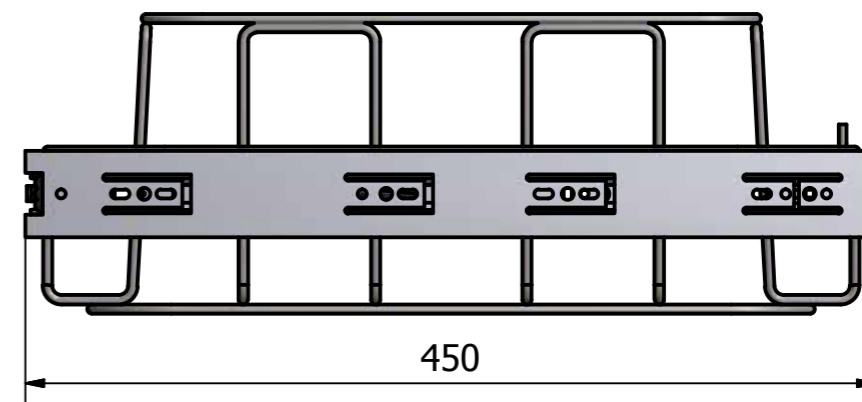
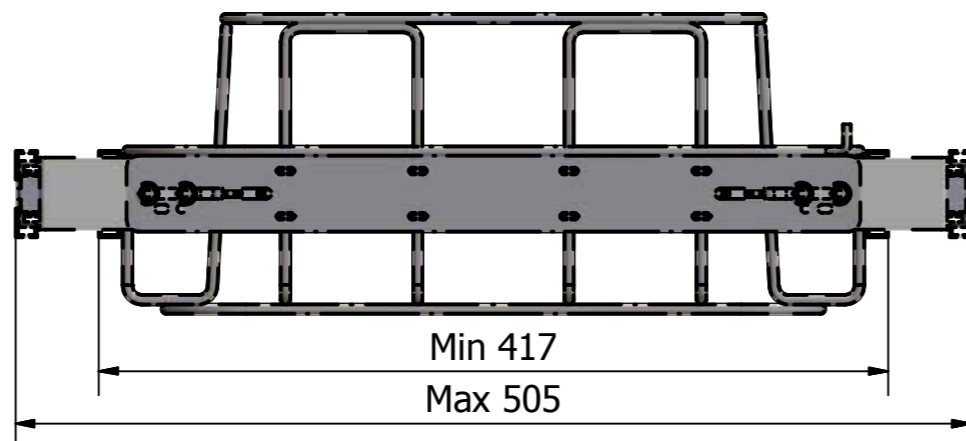
# Mini Square

Inkast 231x231



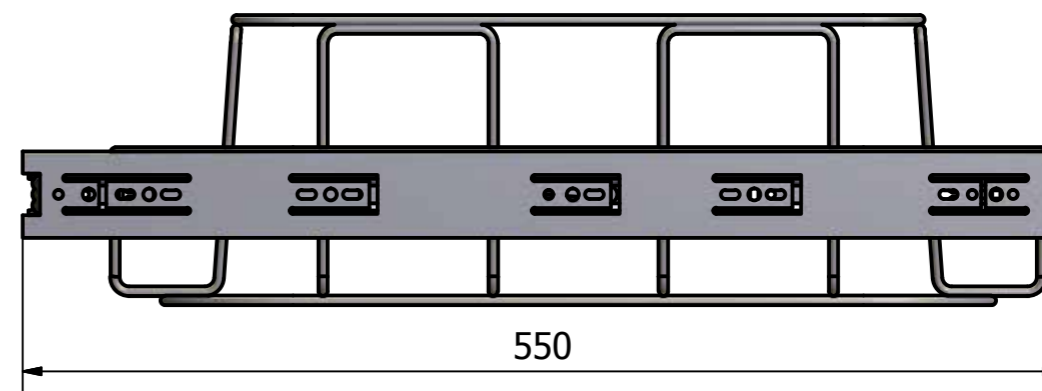
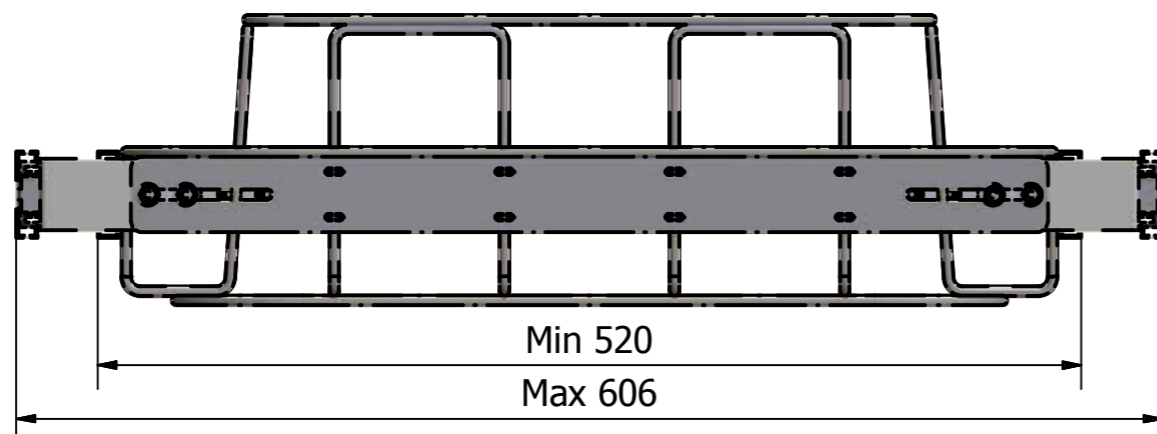
# Midi

Inkast 278x318



# Maxi

Inkast 356x356



Easi Recycling NZ Limited.  
 Unit 2B, 3 Northside Drive, Whenuapai, Auckland 0814  
 Freephone: 0800 342 3177 Email: info@easirecycling.co.nz  
[www.easirecycling.co.nz](http://www.easirecycling.co.nz)

|                     |            |             |                 |                                    |
|---------------------|------------|-------------|-----------------|------------------------------------|
| Designed by<br>lasj | Checked by | Approved by | Date            | Date<br>2014-03-10                 |
|                     |            |             | Longoflex Slide |                                    |
|                     |            |             | Systemöversikt  | Edition<br>1 / 1<br>Sheet<br>1 / 1 |