

# ORWAK

## FLEX 5030

FLEX

**WE ARE PROUD TO PRESENT  
THE NEW CLASSIC ORWAK FLEX 5030!**

The in-bag compactor was the very core of our business during the pioneering years of the 1970s. This versatile, sturdy and easy-to-use unit is still going strong. Now with a new fresh design! The compaction ratio of up to 10:1 is impressive!



## Hygienic Compaction



## Orwak benefits

**MORE PRODUCTIVE USE OF TIME**

Less time spent on waste handling, more time for your core activities!

**MORE SPACE & ORDER**

Our balers rapidly minimizes the space the waste takes up, keeping aisles free and tidy.

**LESS COSTS, MORE VALUE**

More compaction = less waste volume to transport. Fewer transports required results in lower transportation costs and reduced CO<sub>2</sub> emissions. Sorting at source yields a higher quality of waste material for recycling.



## Why Orwak Flex?

- + Versatile compaction for many different application areas
- + Hygienic and safe compaction and disposal of mixed or hazardous waste
- + Special solutions for special needs

# ORWAK FLEX 5030

A winning concept

## ORWAK FLEX 5030 IS OPTIMIZED FOR:

### PAPER

+ Paper sacks

### PLASTIC FOIL

+ Shrink film  
+ Plastic bags

### METAL CANS

+ Food cans  
+ Paint cans

### SEMI-DRY WASTE

+ Bagged general waste

## THE NEW CLASSIC

In 1971 we invented the unique idea of constructing a compactor, where the bag is slipped over an open-ended steel drum for effective and hygienic compaction of mixed waste without risking damage to the bag in the process.

### VERSATILE

The design means that the compactor is versatile, and the plastic bag can be used for most types of waste - despite the fact that the press force is three tons.

### HIGH COMPACTION RATIO ON THE SPOT

The 5030 is a compact machine with a small footprint, but even though it requires little space, it still offers a high compaction ratio of up to 10:1!

Wheeled – for easy cleaning and relocation. Compact size and small footprint. The New Classic comes with a fresh design and a durable finish



### USER FRIENDLY

It is easy to feed material into the the open top-loading unit. The compactor is safe and simple to maneuver and the built-in hoisting function makes the bag switch fast and convenient

### HYGIENIC WASTE HANDLING

A compacted and well-sealed bag prevents leakage and odours. The machined is designed for easy daily cleaning and critical parts are made of stainless steel.

### OPTIONAL ACCESSORIES FOR FLEXIBILITY



Optional steel container for safe handling of, for example, tins and glass after compaction.



A simple-to-use option – the Orwak bale/bag lifter. Eliminates manual heavy lifting.

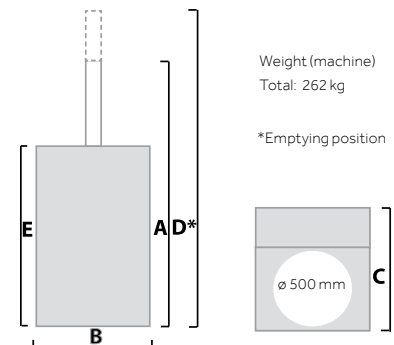
## DIMENSIONS & SPECIFICATIONS

### DIMENSIONS ORWAK FLEX 5030 B+C

A	B	C	D	E
B 1940 mm C 1640 mm	B 760 mm C 760 mm	B 1045 mm C 1045 mm	B 2660 mm C 2360 mm	B 1100 mm C 1100 mm

### ENERGY CONSUMPTION

STANDBY MODE	MAXIMUM OPERATION ONE HOUR
---	660 W/H



### TECHNICAL SPECIFICATIONS

LOADING APERTURE	CYCLE TIME	PRESS FORCE	CHAMBER DIMENSIONS	NOISE LEVEL	PROTECTION CLASS	OPERATING POWER
ø 500 mm	36 secs	3 ton, 30 kN	(internal) Width: ø 500 mm Height: 800 mm	62 db (A)	IP 55	Single phase 230 V, 50 Hz, 10 A

We reserve the right to make changes to specifications without prior notice. Bale/bag/bin weights are dependent upon material type.



Easi Recycling NZ Limited.  
Unit 2B, 3 Northside Drive, Whenuapai, Auckland 0814  
Freephone: 0800 342 3177 Email: info@easirecycling.co.nz

[www.easirecycling.co.nz](http://www.easirecycling.co.nz)